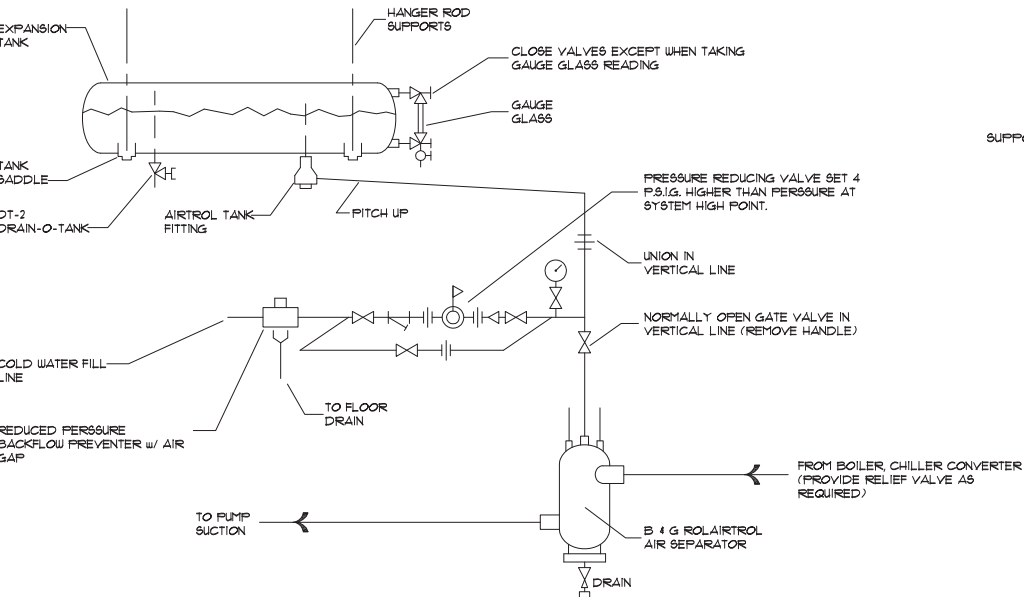
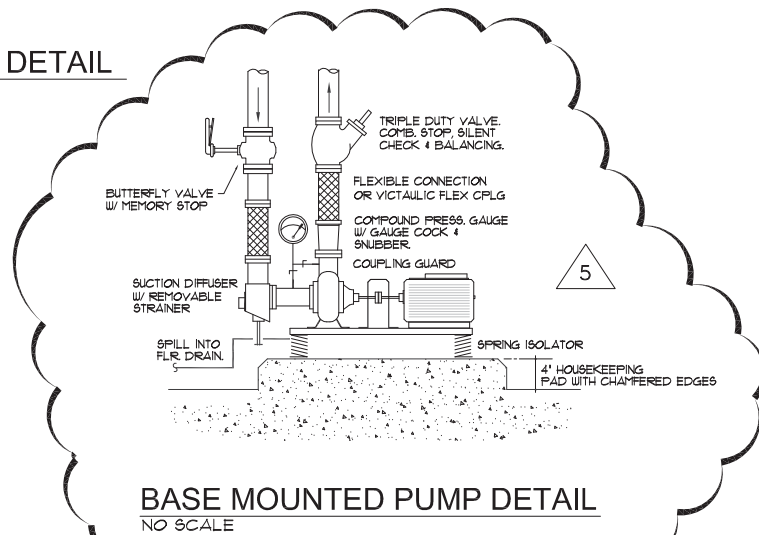


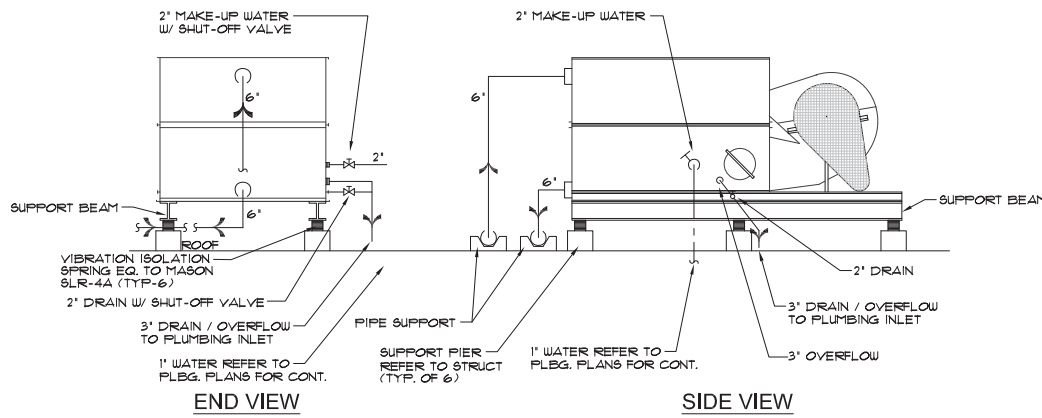
WATER SOURCE HEAT PUMP UNIT - HORIZONTAL
NO SCALE



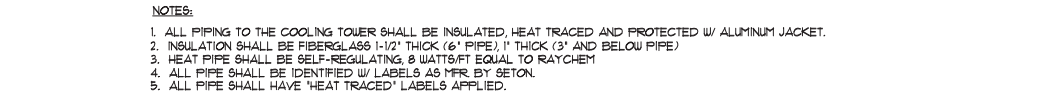
TYPICAL EXPANSION TANK CONNECTIONS DETAIL
NO SCALE



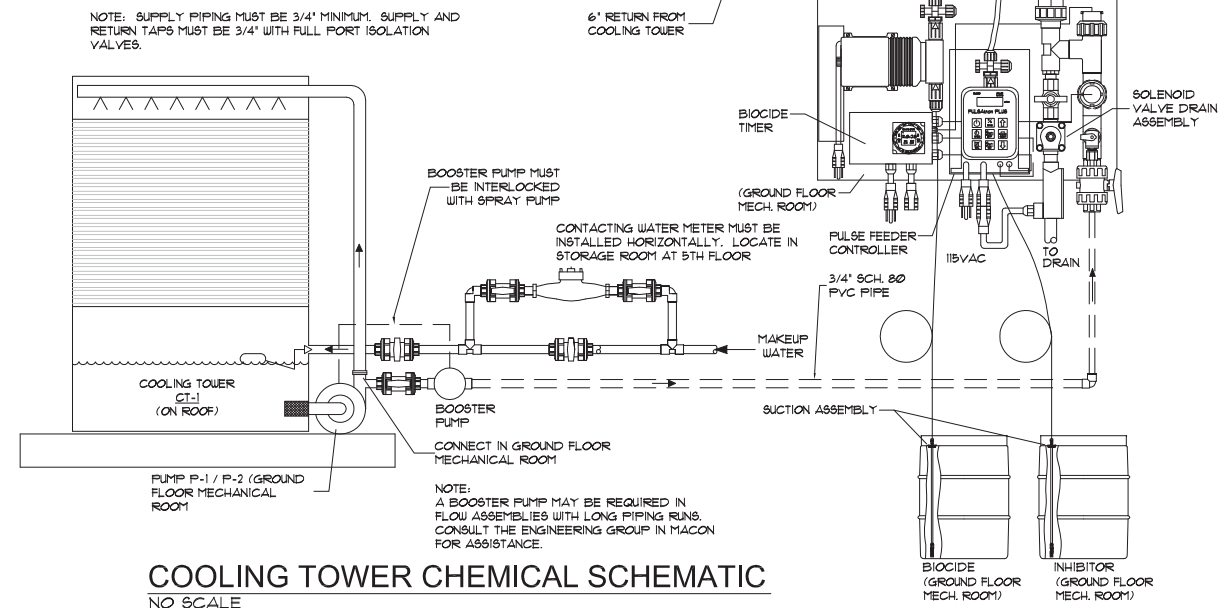
BASE MOUNTED PUMP DETAIL
NO SCALE



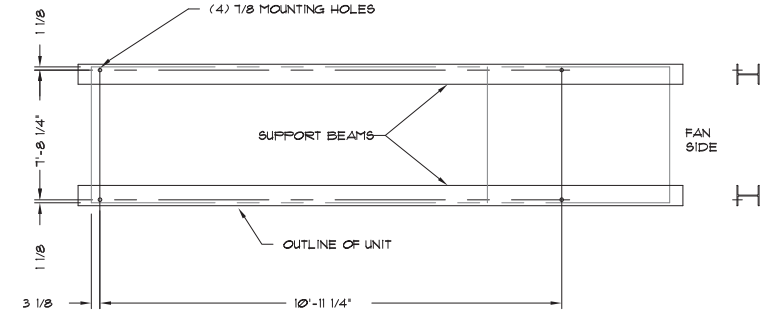
HEAT EXCHANGER DETAIL
NO SCALE



END VIEW
SIDE VIEW



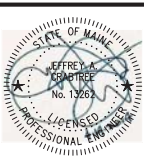
COOLING TOWER CHEMICAL SCHEMATIC
NO SCALE



SUPPORT BEAM
NO SCALE

NOTES:
1. THE RECOMMENDED SUPPORT ARRANGEMENT CONSISTS OF TWO PARALLEL 1-BEAM'S EXTENDING THE FULL LENGTH OF THE UNIT. SUPPORTS AND ANCHOR BOLTS ARE TO BE DESIGNED BY THE STRUCTURAL ENGINEER.
2. ALL SUPPORTING BEAMS ARE TO BE FLUSH AND LEVEL AT TOP AND MUST BE ORIENTED PER THE ROOF PLAN.
3. RECOMMENDED DESIGN LOADS FOR EACH BEAM SHOULD BE 10% OF THE TOTAL UNIT OPERATING WEIGHT APPLIED AS A UNIFORM LOAD TO EACH BEAM. BEAMS SHOULD BE DESIGNED IN ACCORDANCE WITH STANDARD STRUCTURAL PRACTICE. THE MAXIMUM ALLOWABLE DEFLECTION OF BEAMS UNDER THE UNIT SHALL BE AS SHOWN IN THE TABLE.
4. ALL MOUNTING HOLES ARE 1/8 INCH DIAMETER AT THE LOCATIONS SHOWN.
5. IF VIBRATION ISOLATORS ARE USED, A RAIL OR CHANNEL MUST BE PROVIDED BETWEEN THE UNIT AND THE ISOLATORS TO PROVIDE CONTINUOUS SUPPORT. ADDITIONALLY, THE SUPPORT BEAMS MUST BE DESIGNED TO ACCOMMODATE THE OVERALL LENGTH AND MOUNTING HOLE LOCATION OF THE ISOLATORS WHICH MAY DIFFER FROM THOSE OF THE UNIT. REFER TO VIBRATION ISOLATOR DRAWINGS FOR THIS DATA.

COOLING TOWER DETAIL
NO SCALE



Prepared For:
119 DEVELOPMENT LLC

Mechanical Engineer:
Crabtree Engineering
278 Amelia Cove
Collierville, Tennessee 38017
jce98@bellsouth.net

Architect:
ARCHETYPE architects
48 Union Wharf Portland, Maine 04101
(207) 772-6022 Fax (207) 772-4056

Project:
PRESS HOTEL
390 CONGRESS STREET
PORTLAND, MAINE

Revisions:	Issue for Bid & Marriott Revw
1 13-10-14	Addendum #2
2 13-10-21	Addendum #3
3 13-10-31	Misc RT's
5 14-04-14	Misc RT's

Date: 08 OCT 13
Scale: 1/8" = 1'-0"
HVAC DETAILS

M9.02