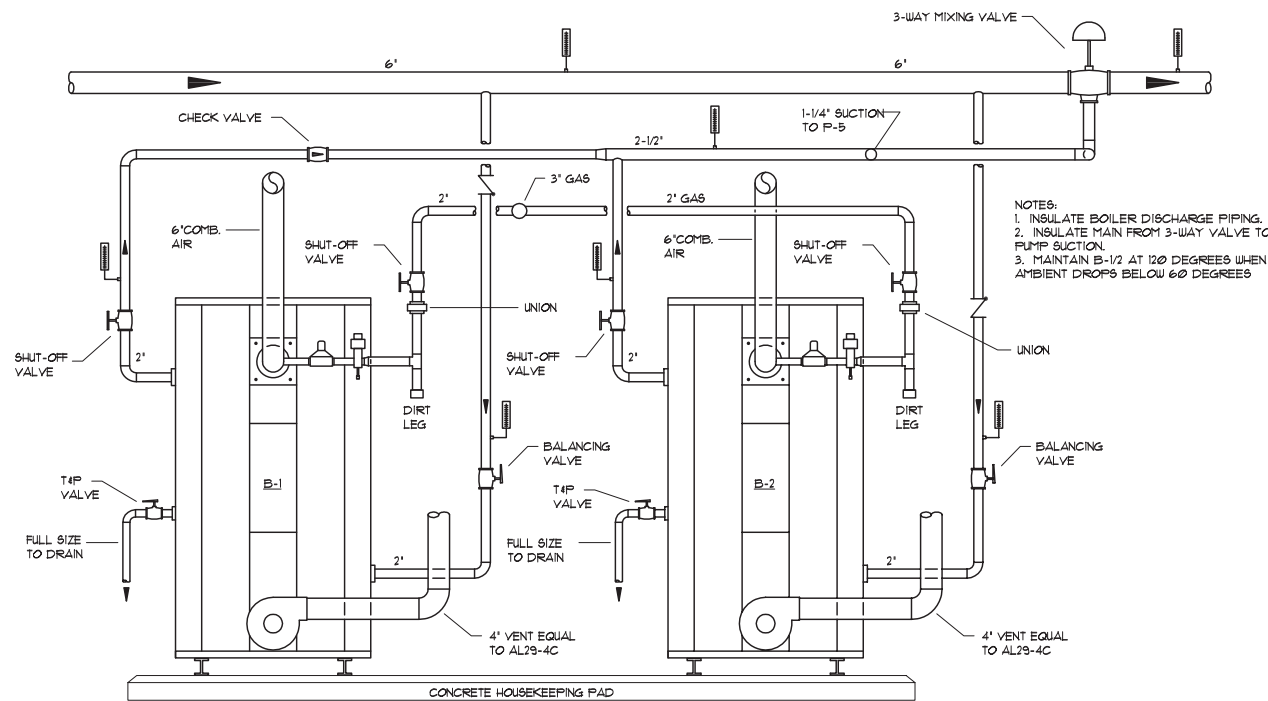


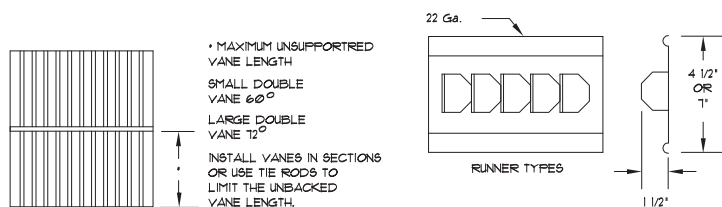
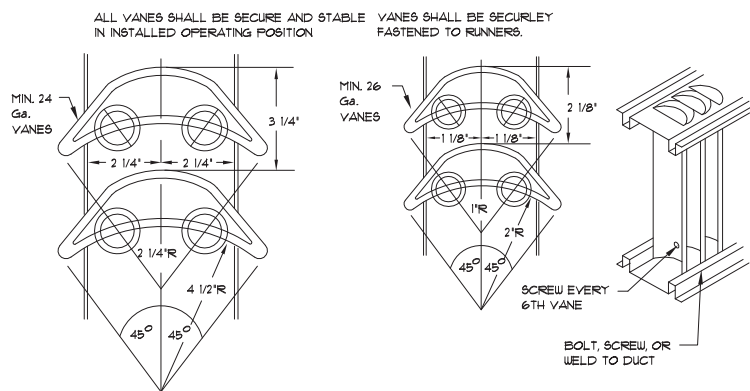
- NOTES:
- MAXIMUM ALLOWABLE SPACING FOR FASTENERS INDICATED. ACTUAL INTERVALS ARE APPROPRIATE. COMPLY WITH THE MANUFACTURER'S INSTALLATION INSTRUCTIONS.
 - LINER SHALL BE ADHERED TO THE DUCT WITH 100% COVERAGE OF ADHESIVE IN ADDITION TO THE MECHANICAL FASTENERS.

VELOCITY	DIMENSIONS			
	'A'	'B'	'C'	'E'
0-2500 FPM	3'	12'	4'	18'
2501-6000 FPM	3'	6'	4'	16'

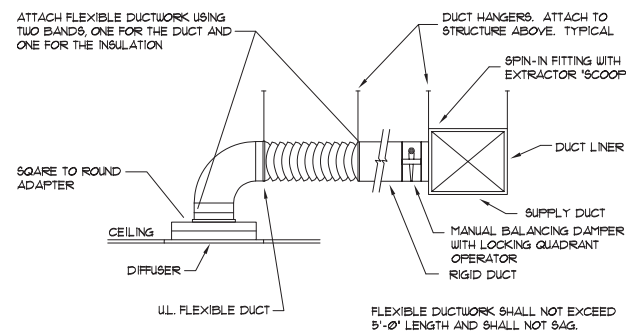
INTERNAL DUCTLINER DETAIL NO SCALE



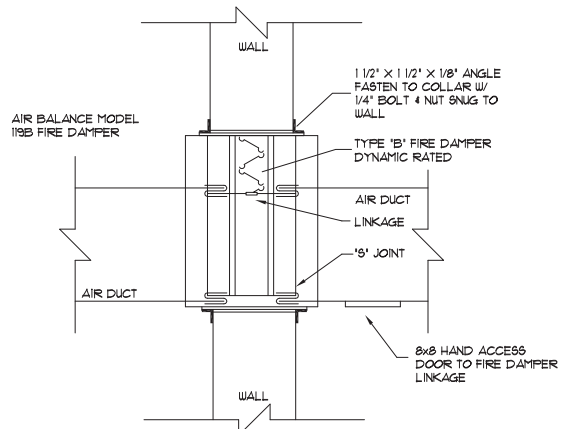
BOILER DETAIL NO SCALE



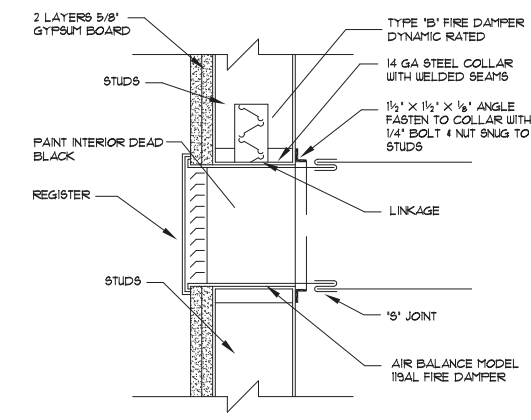
TURNING VANES NO SCALE



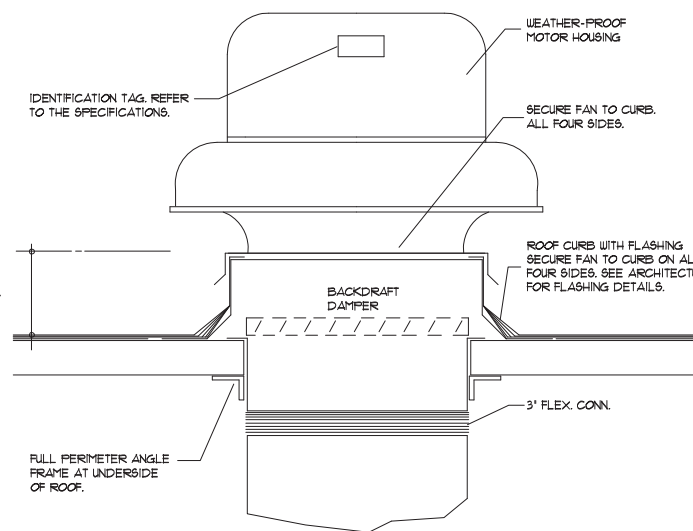
DUCT CONNECTION DETAIL NO SCALE



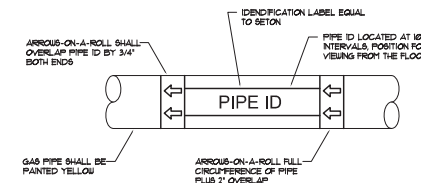
FIRE DAMPER DETAIL NO SCALE



FIRE DAMPER DETAIL NO SCALE



ROOF MOUNTED EXHAUST FAN DETAIL NO SCALE



PIPE IDENTIFICATION DETAIL NO SCALE

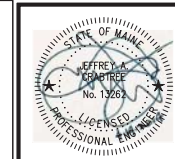
PIPE IDENTIFICATION SCHEDULE

PIPE SYSTEM	FEDERAL STANDARD COLOR NUMBER	COLOR
CONDENSATE	955-34666	LIGHT GREEN
GAS (NATURAL/PROPANE)	955-33783	LIGHT YELLOW
REFRIGERANT	955-37560	BUFF
WATER - COLD	955-35280	MEDIUM BLUE
WATER - SOFTENED	955-35560	LIGHT BLUE
WATER - HOT DOMESTIC	955-14009	DARK GREEN
WATER - HOT HEATING	955-34138	MEDIUM GREEN
FIRE PROTECTION	955-28993	RED

- ALL PIPE SYSTEMS SHALL BE PAINTED IN THEIR ENTIRETY.
- GAS LABELS SHALL INDICATE GAS PRESSURE.
- DOMESTIC WATER LABELS SHALL INCLUDE TEMPERATURE.

LETTER SIZING CHART

PIPE OD OR COVERING (N)	LENGTH OF COLOR FIELD (N)	LETTER SIZE (N)
1/4 TO 1-1/4	8	1/2
1-1/2 TO 2	8	3/4
2-1/2 TO 6	13	1-1/4
8 TO 10	24	2-1/2
OVER 10	32	3-1/2



Prepared For:
119 DEVELOPMENT LLC

Mechanical Engineer:
Crabtree Engineering
278 Amelia Cove
Collierville, Tennessee 38017
jceb88@bellsouth.net



Project:
PRESS HOTEL
390 CONGRESS STREET
PORTLAND, MAINE

Revisions:
1 13 10-14 Issue for Bid & Marriott Rev
2 13 10-21 Addendum #2
3 13 10-31 Addendum #3
5 14 04-14 Misc RT's

Date: 08 OCT 13
Scale: 1/8" = 1'-0"
**HVAC
DETAILS**

M9.01