



Prepared For:
119 DEVELOPMENT LLC

Mechanical Engineer:
Crabtree Engineering
278 Amelia Cove
Collierville, Tennessee 38017
jce98@bellsouth.net

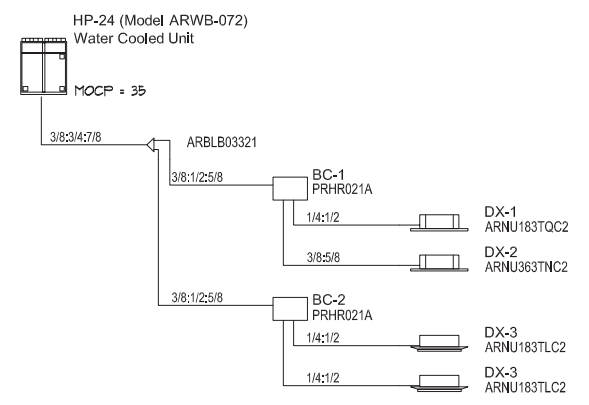
Architect:
ARCHETYPE architects
48 Union Wharf Portland, Maine 04101
(207) 772-6022 Fax (207) 772-4056

Project:
PRESS HOTEL
390 CONGRESS STREET
PORTLAND, MAINE

Revisions:	Date:	Scale:
1	13 10-14	1/8" = 1'-0"
2	13 10-21	1/8" = 1'-0"
3	13 10-31	1/8" = 1'-0"
5	14 04-14	1/8" = 1'-0"

Issue for Bid & Marriott Rev
Addendum #2
Addendum #3
Misc RF's

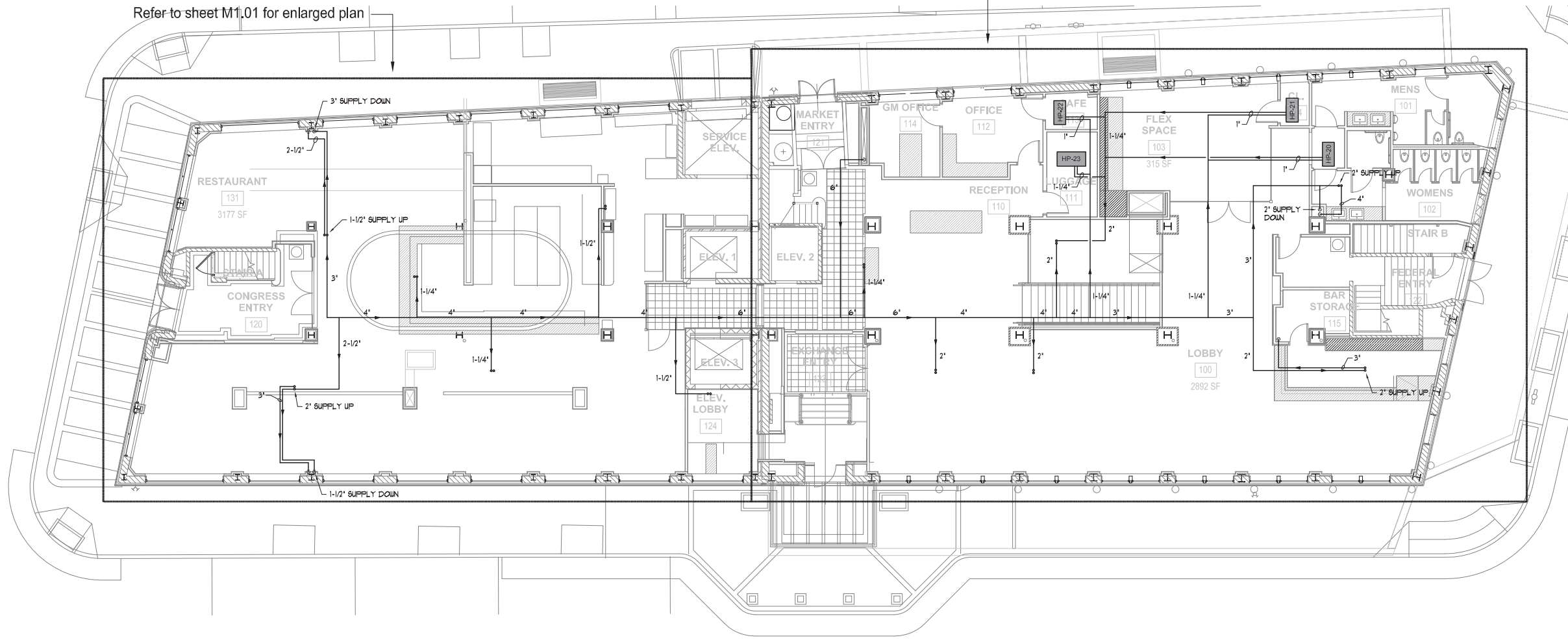
M1.00



KITCHEN/RESTAURANT VRF DIAGRAM
N.T.S.

Refer to sheet M1.02 for enlarged plan

Refer to sheet M1.01 for enlarged plan



FIRST FLOOR PLAN - HVAC
SCALE: 1/8"=1'-0"

