

Note: - Drawing not to Scale

Part No.: MLUG160400

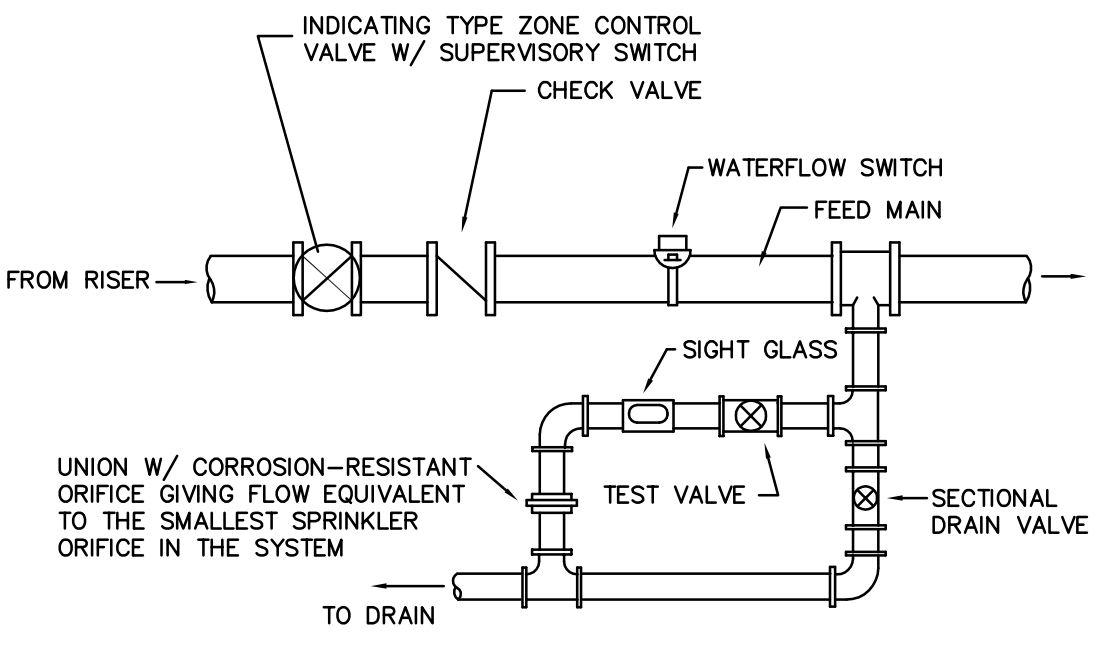
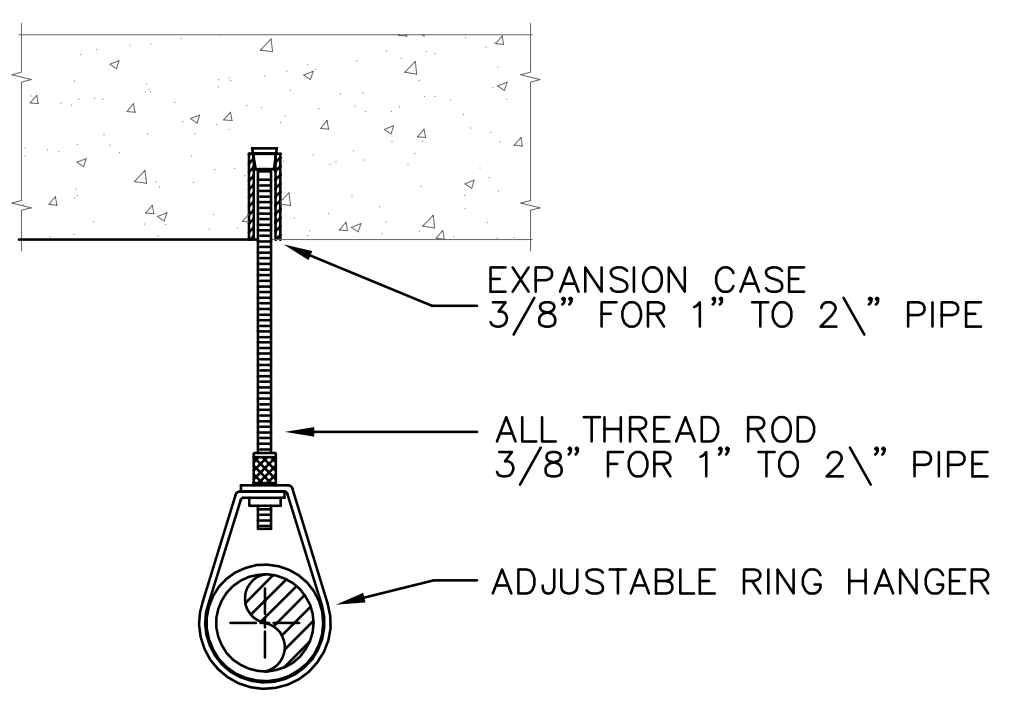
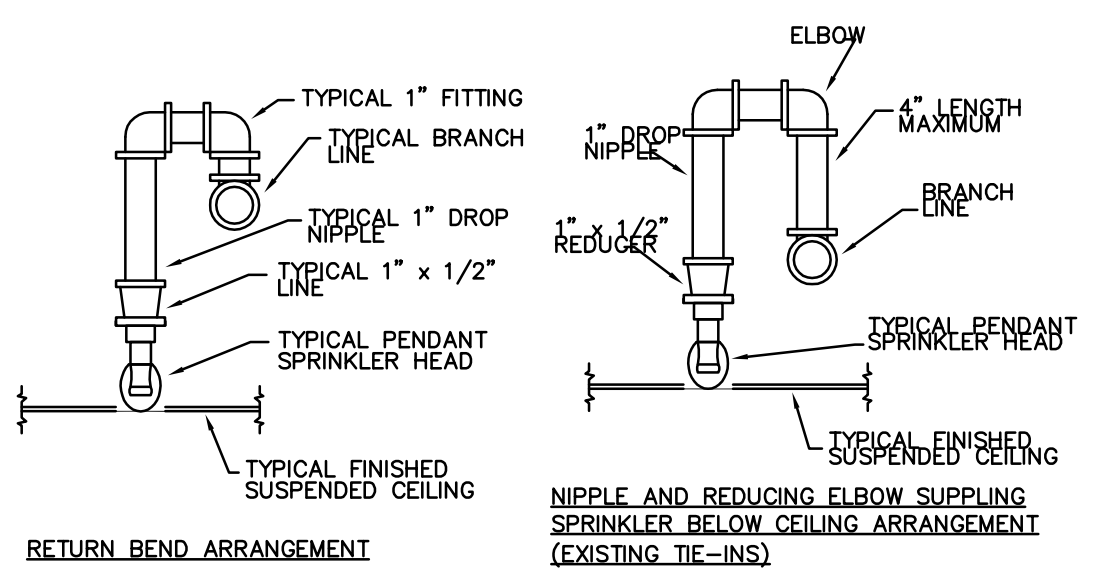
Description: Fireloop - Grooved Ends "8"

**Metraflex**  
for pipes in motion

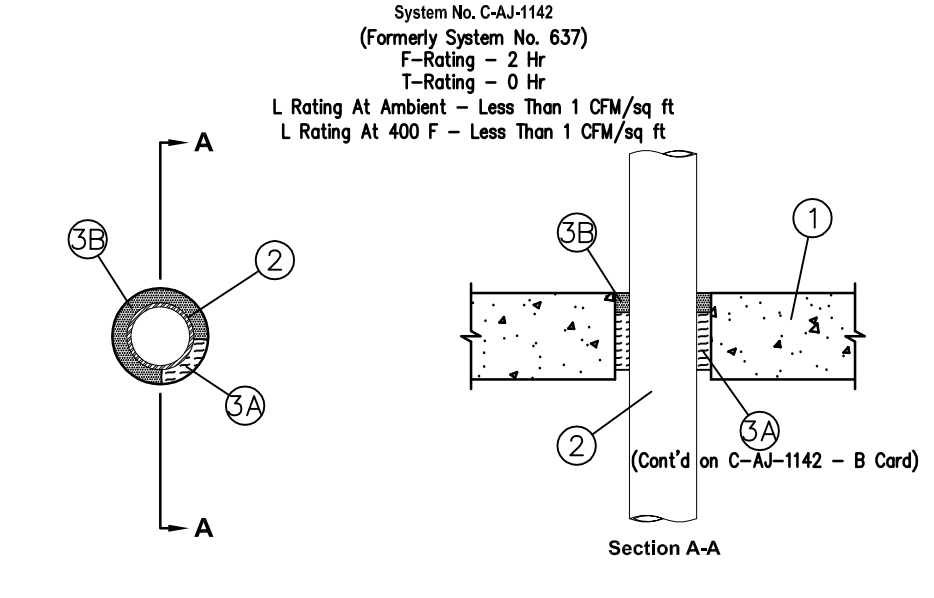
Address: 2323 W. Hubbard St.  
Chicago, IL 60612  
Tel.: 312-738-3800, Fax: 312-738-0415  
Email: engineering@metraflex.com  
Web: http://www.metraflex.com

SPRINKLER LEGEND:

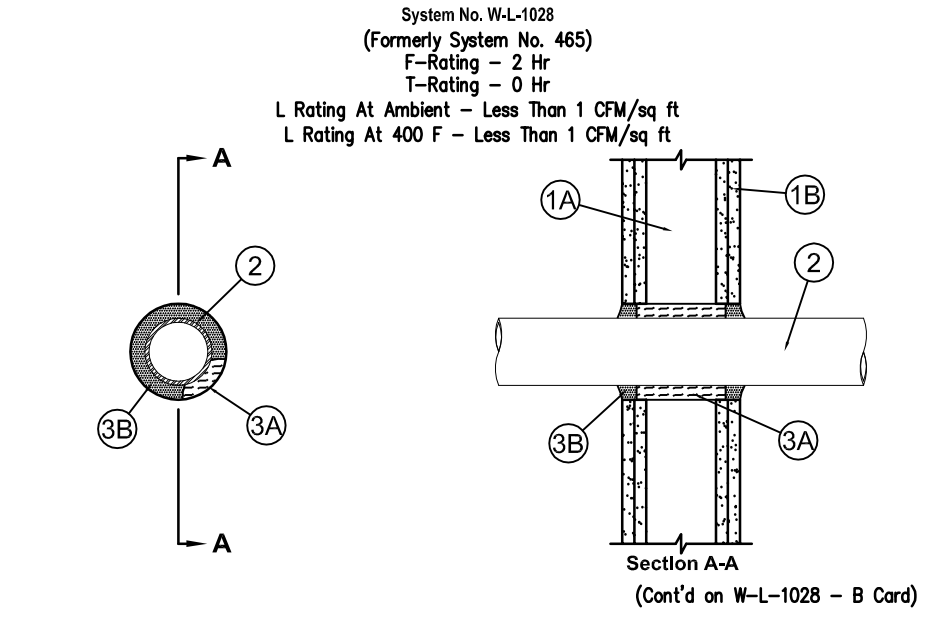
- SEMI-RECESSED Q.R. WHITE PENDANT HEAD.
- ▼ SIDEWALL Q.R. WHITE HEAD.
- ▼212-SIDEWALL Q.R. EXTENDED COVERAGE WHITE HEAD.



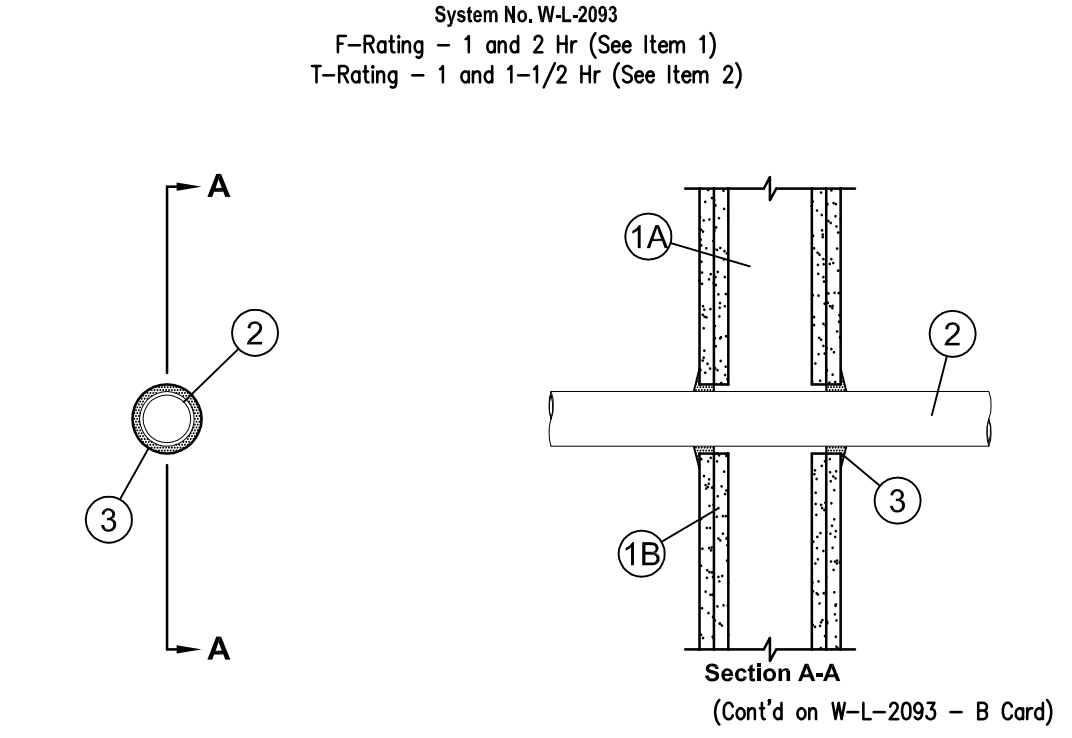
Guide XHEZ Through-Penetration Firestop Systems June 13, 1997 C-AJ-1142 - A Card



Guide XHEZ Through-Penetration Firestop Systems December 16, 1994 W-L-1028 - A Card



Guide XHEZ Through-Penetration Firestop Systems April 30, 1998 W-L-2093 - A Card



Guide XHEZ (C-AJ-1142 - B Card) Through-Penetration Firestop Systems (Cont'd from C-AJ-1142 - A Card)

System No. C-AJ-1142 June 13, 1997 (Formerly System No. 637)  
F-Rating - 2 Hr  
T-Rating - 0 Hr  
L Rating At Ambient - Less Than 1 CFM/sq ft  
L Rating At 400 F - Less Than 1 CFM/sq ft

- Floor or Wall Assembly - Min 4-1/2 in. thick reinforced lightweight or normal weight (100-150 pcf) concrete floor or min 5 in. thick reinforced lightweight or normal weight concrete wall. Wall may also be constructed of any UL Classified Concrete Blocks \*. Max diam of opening is 5 in. See Concrete Blocks (CAZT) category in the Fire Resistance Directory for names of manufacturers.
- Through Penetrants - One metallic pipe, conduit or tubing to be centered within the firestop system. Pipe, conduit or tubing to be rigidly supported on both sides of floor or wall assembly. A non annular space of 15/16 in. is required within the firestop system. The following types and sizes of metallic pipes, conduits or tubing may be used:
  - A. Steel Pipe - Nom 3 in. diam (or smaller) Schedule 5 (or heavier) steel pipe.
  - B. Iron Pipe - Nom 3 in. diam (or smaller) cast or ductile iron pipe.
  - C. Conduit - Nom 3 in. diam (or smaller) steel electrical metallic tubing or steel conduit.
  - D. Copper Tubing - Nom 3 in. diam (or smaller) Type L (or heavier) copper tubing.
  - E. Copper Pipe - Nom 3 in. diam (or smaller) Regular (or heavier) copper pipe.
- Firestop System - The firestop system shall consist of the following:
  - A. Packing Material - Min 3 in. thickness of min 6 pcf mineral wool batt insulation firmly packed into opening as a permanent form. Packing material to be recessed from top surface of floor or from both surfaces of wall as required to accommodate the required thickness of fill material.
  - B. Fill, Void or Cavity Material\* - Sealant - Min 1 in. thickness of fill material applied within the annulus, flush with top surface of floor or with both surfaces of wall. SPECIFIED TECHNOLOGIES INC - SpecSeal 100, 101, 102, 105 sealant.

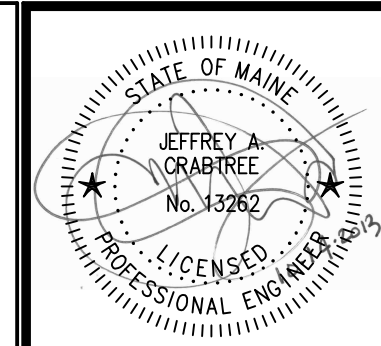
\*Bearing the UL Classification Marking

Guide XHEZ (W-L-1028 - B Card) Through-Penetration Firestop Systems (Cont'd from W-L-1028 - A Card)

System No. W-L-1028 December 16, 1994 (Formerly System No. 465)  
F-Rating - 2 Hr  
T-Rating - 0 Hr  
L Rating At Ambient - Less Than 1 CFM/sq ft  
L Rating At 400 F - Less Than 1 CFM/sq ft

- Wall Assembly - The fire-rated gypsum wallboard/stud wall assembly shall be constructed of the materials and in the manner specified in the individual U300 or U400 Series Wall and Partition Designs in the UL Fire Resistance Directory and shall include the following construction features:
  - A. Studs - Wall framing may consist of either wood studs or steel channel studs. Wood studs to consist of nom 2 by 4 in. lumber spaced 16 in. OC. Steel studs to be min 2-1/2 in. wide and spaced max 24 in. OC.
  - B. Gypsum Board\*\* - Two layers of nom 5/8 in. thick gypsum wallboard, as specified in the Individual Wall and Partition Design. Max diam of opening is 5 in.
- Through Penetrants - One metallic pipe, conduit or tubing to be centered within the firestop system. A non annular space of 15/16 in. is required within the firestop system. Pipe, conduit or tubing to be rigidly supported on both sides of wall assembly. The following types and sizes of metallic pipes, conduits or tubing may be used:
  - A. Steel Pipe - Nom 3 in. diam (or smaller) Schedule 5 (or heavier) steel pipe.
  - B. Conduit - Nom 3 in. diam (or smaller) steel electrical metallic tubing or steel conduit.
  - C. Copper Tubing - Nom 3 in. diam (or smaller) Type L (or heavier) copper tubing.
  - D. Copper Pipe - Nom 3 in. diam (or smaller) Regular (or heavier) copper pipe.
- Firestop System - The firestop system shall consist of the following:
  - A. Packing Material - Min 3-1/2 in. thickness of min of 3.5 pcf fiberglass insulation wrapped around the through-penetrant and secured together by means of No. 24 AWG steel tie wire. Packing material shall be centered at mid-depth of opening and recessed from surfaces of wall as required to accommodate the required thickness of fill material.
  - B. Fill, Void or Cavity Material\* - Caulk - Min 3/4 in. thickness of fill material applied within the annulus, flush with both surfaces of wall. Additional caulk shall be installed such that a min 1/4 in. thick crown is formed around the penetrating item. SPECIFIED TECHNOLOGIES INC - SpecSeal 100, 101 or 105 Sealant.

\*\*Bearing the UL Classification Marking



Prepared For:  
**119 Development, LLC**

Consultant:  
Crabtree Engineering  
278 Amelia Cove  
Collisville, Tennessee 38017  
majidhatamzadeh@yahoo.com

Architect:  
**ARCHITECTS**  
Architects  
48 Union Wharf Portland, Maine 04101  
(207) 772-6022 Fax (207) 772-4056

Project:  
**PRESS HOTEL**  
390 CONGRESS STREET  
PORTLAND, ME 04101

Revisions:

1	13-07-01	30% Marriott Submission
2	13-09-09	60% Marriott Sub. & Pric.
3	13-10-14	Issue for Bid & Marriott Revw.

Date: 08 OCT 13

Scale: 1/8" = 1'-0"

**DETAILS - FIRE SPRINKLER**

**F9.01**