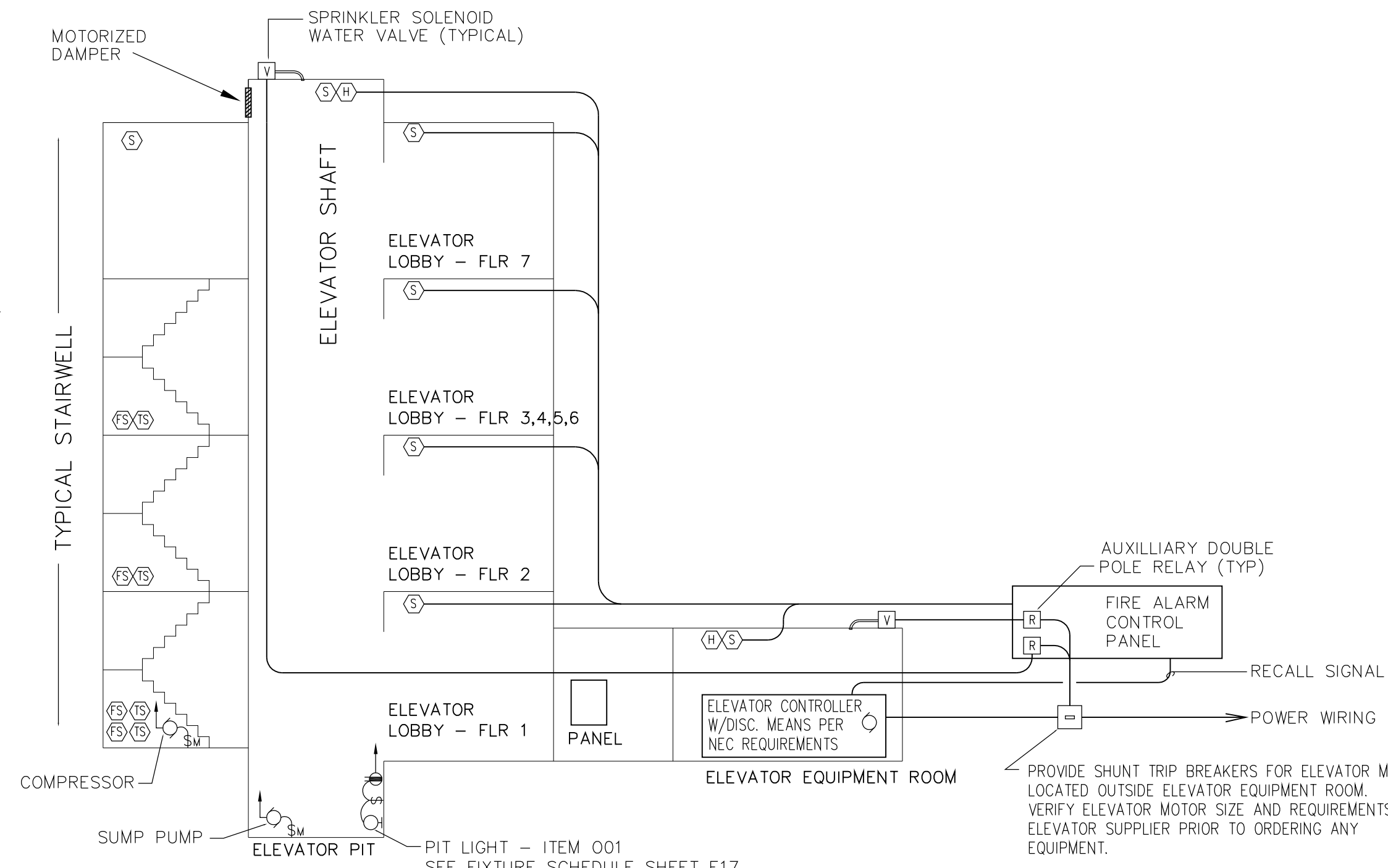
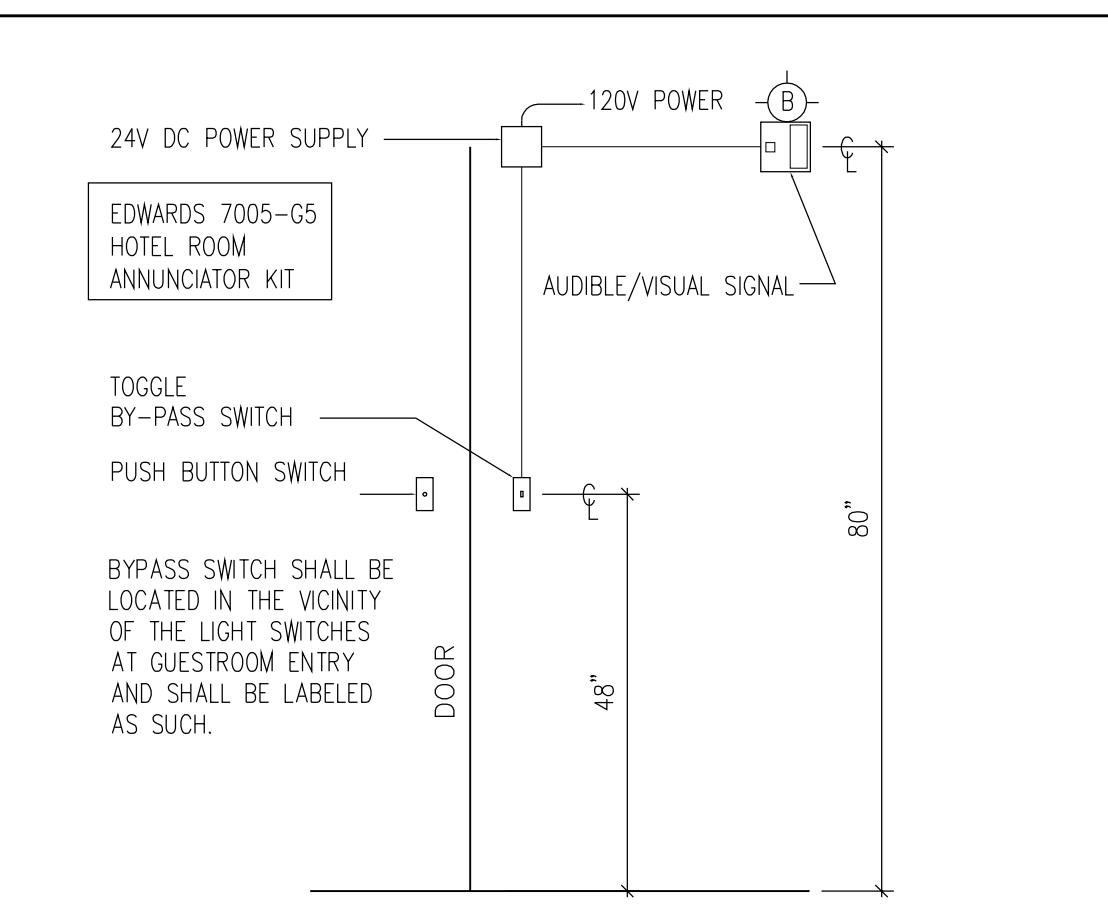


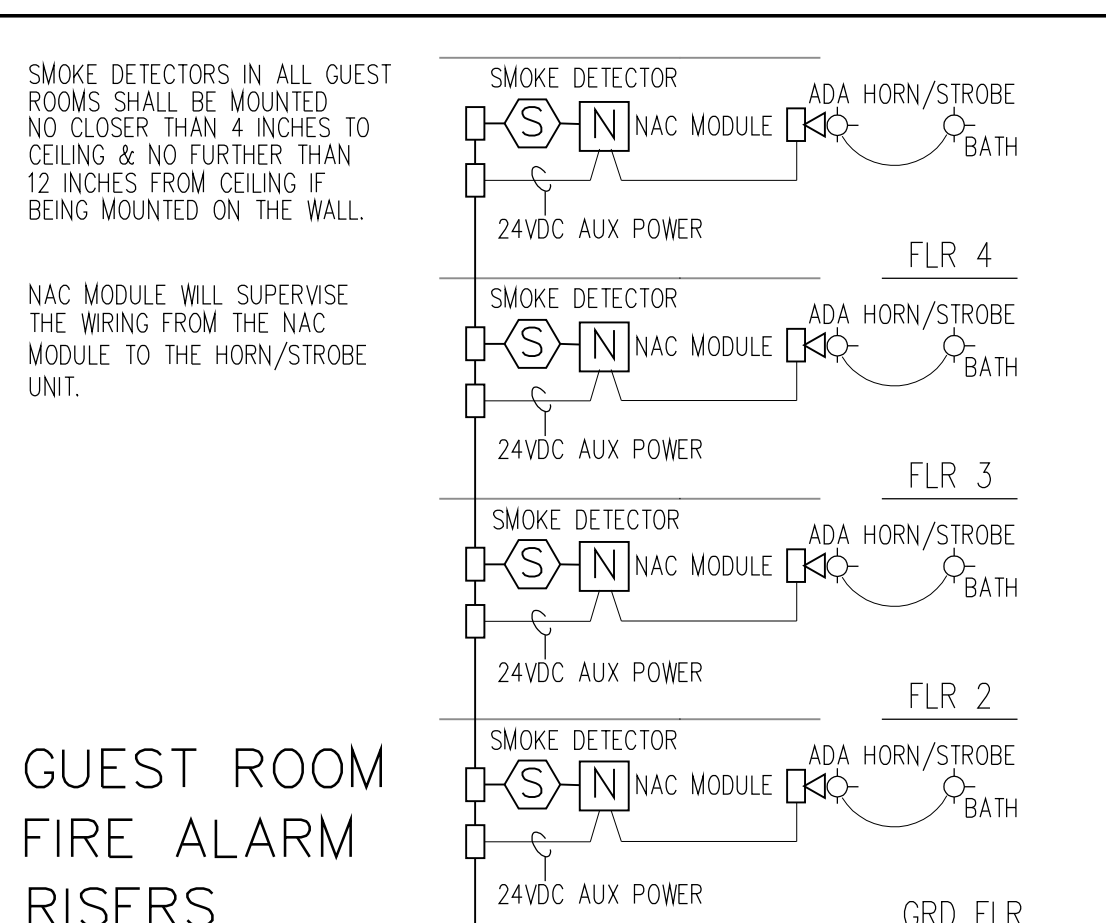
ELECTRICAL SYMBOLS REFER TO INTERIOR DESIGN DRAWINGS FOR SPECIFIC ELEVATIONS UNLESS NOTED OTHERWISE			
S	SINGLE POLE SWITCH	S ^{DS}	DOOR SWITCH
S ³	THREE WAY SWITCH	S ^M	MOTOR SWITCH
S ⁴	FOUR WAY SWITCH	S ^F	CEILING FAN CONTROL
S ^D	DIMMER SWITCH	S ^K	KEYED SWITCH
SWITCH NOTE: MOUNT ALL SWITCHES AT +48" TO CENTERLINE UNLESS NOTED OTHERWISE			
S ^{OC}	OCCUPANCY SENSOR SWITCH		
⊙	CEILING MOUNTED OCCUPANCY SENSOR		
⊖	208V RECEPTACLE		
⊖	DUPLEX RECEPTACLE, GROUND POLE UP		
⊖ WP	WEATHERPROOF DUPLEX GFI RECEPTACLE, GROUND POLE UP		
⊖	SINGLE RECEPTACLE, 20-AMP, 125-VOLT EXCEPT AS NOTED		
⊖ GFCI	DUPLEX GFI RECEPTACLE		
⊖	DOUBLE DUPLEX RECEPTACLE, GROUND POLE UP		
RECEPTACLE NOTES:			
1. MOUNT ALL RECEPTACLES IN GUEST ROOMS AT 12" AFF TO CENTERLINE UNLESS NOTED OTHERWISE.			
2. MOUNT ALL RECEPTACLES IN ACCESSIBLE GUEST ROOMS AT 18" AFF TO CENTERLINE UNLESS NOTED OTHERWISE.			
3. MOUNT ALL RECEPTACLES IN COMMERCIAL AREAS AT 15" AFF TO CENTERLINE UNLESS NOTED OTHERWISE.			
⊖	DUPLEX FLUSH FLOOR OUTLET, PROVIDE 3/4"C. TO ACCESSIBLE CEILING.		
⊖	DOUBLE FLUSH DUPLEX FLOOR OUTLET, PROVIDE 3/4"C. TO ACCESSIBLE CEILING		
⊖	JUNCTION BOX		
⊖	WALKER RFB4 FLUSH FLOOR BOX W/ 20 AMP, 120 VOLT DOUBLE DUPLEX RECEPTACLE, PROVIDE 3/4"C. TO ACCESSIBLE CEILING FOR POWER AND 1"C. TO ACCESSIBLE CEILING FOR TELE/ DATA / AV CABLES (VERIFY LOCATION, TRIM AND COLOR WITH ARCHITECT)		
⊖	DISCONNECT SWITCH		
⊖	FUSED DISCONNECT SWITCH		
⊖	MOTOR		
⊖	EQUIPMENT		
⊖	TELEPHONE OUTLET BOX		
⊖	COMBO TELEPHONE & DATA OUTLET BOX		
⊖	HOUSE PHONE		
⊖	FLUSH FLOOR TELEP./DATA OUTLET, PROVIDE 3/4"C. TO ACCESSIBLE CEILING		
⊖	FLUSH FLOOR TV OUTLET, PROVIDE 3/4"C. TO ACCESSIBLE CEILING		
⊖	DATA CONNECTION		
⊖	DESK INTERCOM		
⊖	CEILING MOUNTED SPEAKER		
⊖	WALL MOUNTED SPEAKER		
⊖	BELL / STROBE INDICATOR		
⊖	TELEPHONE STROBE INDICATOR		
⊖	DOORBELL BUTTON		
⊖	TELEVISION ANTENNA OUTLET		
EDF	ELECTRIC DRINKING FOUNTAIN		
WP	WEATHERPROOF		
AFF	ABOVE FINISHED FLOOR		
GFCI	GROUND FAULT CIRCUIT INTERRUPTER		
+48"	CENTERLINE MOUNTING HEIGHT ABOVE FINISHED FLOOR		
⊖	DOOR LOCK FOR LINEN CHUTE		
⊖	CLOCK HANGER OUTLET		



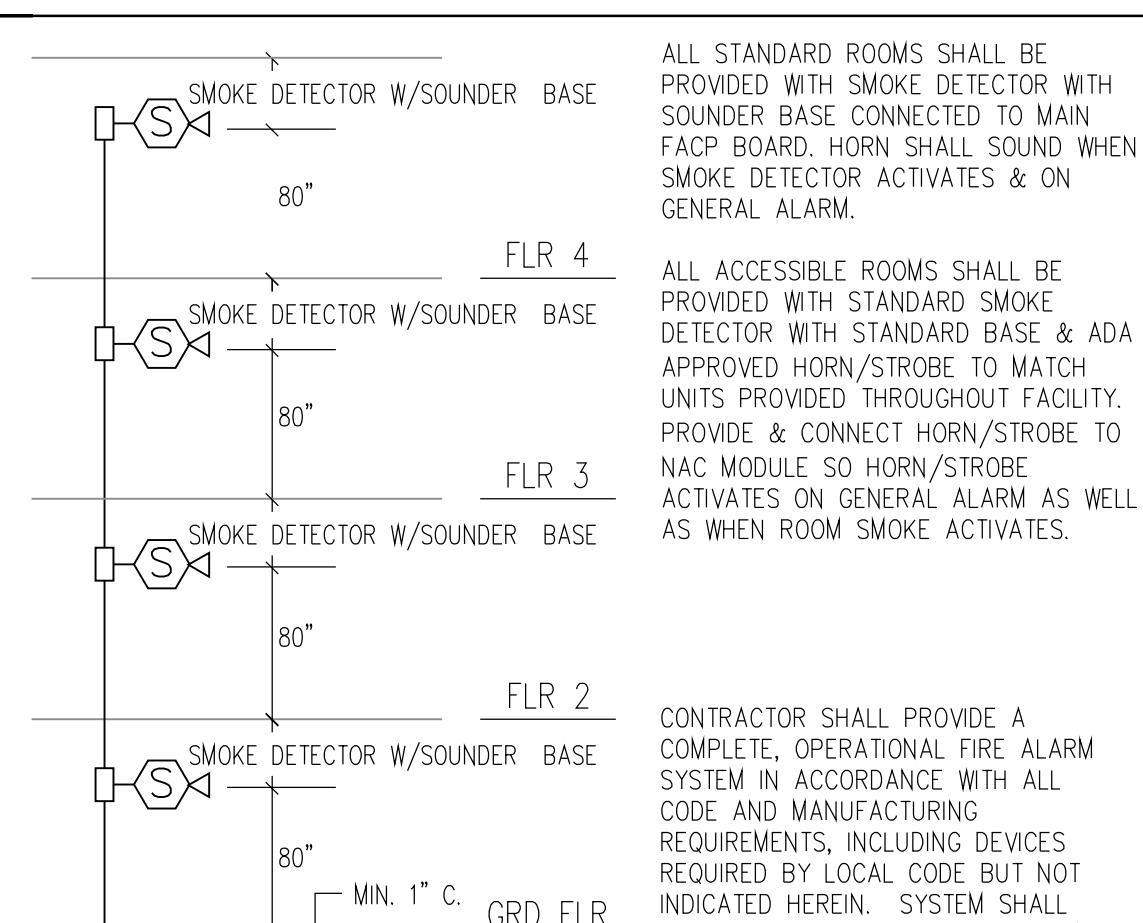
1. ELEVATOR/STAIRWELL POWER & CONTROL RISER DIAGRAM
SCALE: NO SCALE
NOTE: PROVIDE SHUNT TRIP BREAKERS FOR ELEVATOR MOTORS. LOCATED OUTSIDE ELEVATOR EQUIPMENT ROOM. VERIFY ELEVATOR MOTOR SIZE AND REQUIREMENTS WITH ELEVATOR SUPPLIER PRIOR TO ORDERING ANY EQUIPMENT.



5. ACCESS./HEARING IMPAIRED RM DIAGRAM - DOOR BELL SYSTEM
SCALE: NO SCALE
DTL-0002



4A. ACCESSIBLE & HEARING IMPAIRED
SCALE: NONE



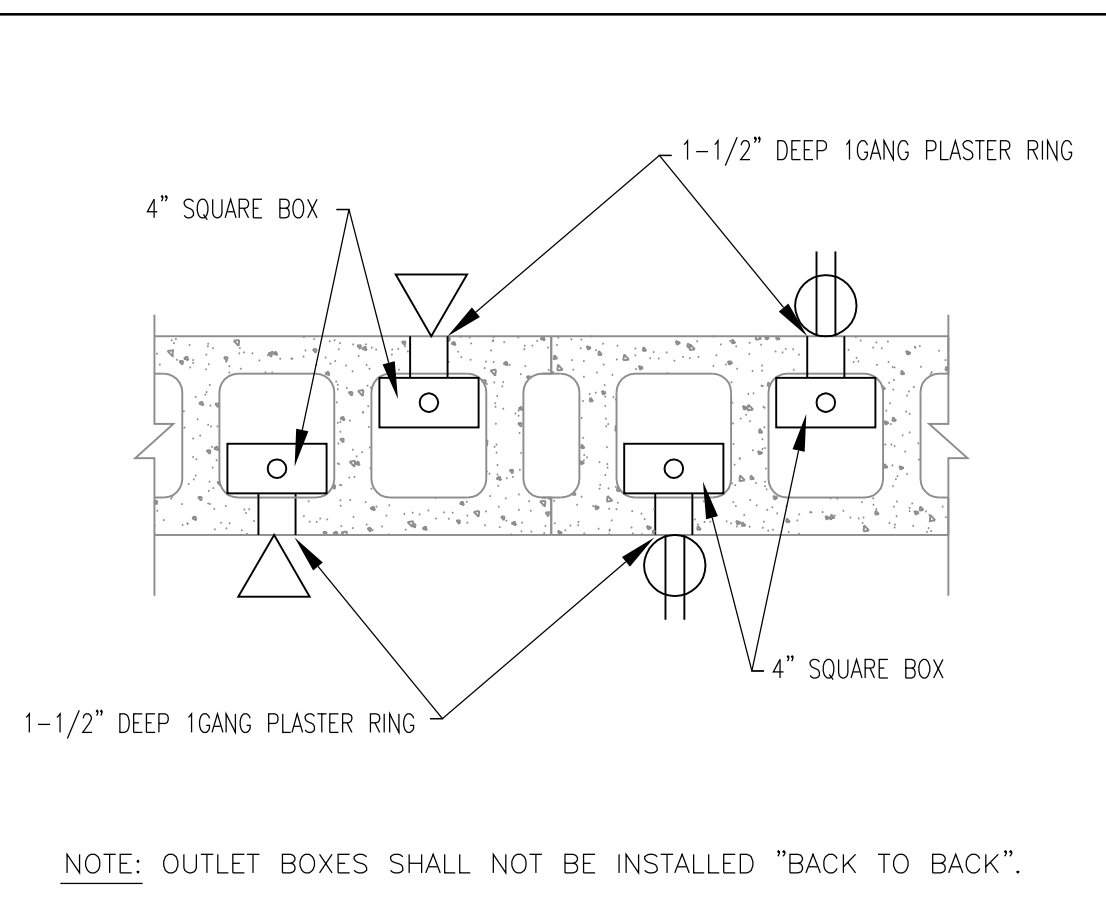
4B. SYSTEM STANDARD RMS
SCALE: NONE

LUMINAIRE SCHEDULE					
CALLOUT	SYMBOL	LAMP	DESCRIPTION	MODEL	INPUT WATTS
B01	☐	(2) 32W 32W T8	LENSED UTILITY FIXTURE	COLUMBIA AWW4-4-32-3E-U	70
B02	▱	(4) 32W 32W T8	2' x 4' TROFFER WITH ACRYLIC LENS	COLUMBIA JT824-432G-FSA19-EU	120
B03	☐	(2) 32W 32W T8	2' x 4' CABLE MOUNT WITH ACRYLIC LENS	COLUMBIA JT824-432G-FSA19-EU-C424	70
B04	○	(2) 13W DTT	STAIRWELL FIXTURE	PRECOLITE LF6CFH 213 EB 6CFH CL WT	29
B05	•○	(1) 14W LED	WALL SCONCE	KENALL MLASB13PANPPCS14L30K-120	14
X	⊗	(1)	EDGE-LIT LED EXIT SIGN, PUBLIC AREAS, RECESSED MOUNT	DUAL-LITE LECSRNAI-URK	5
XS	⊗	(1)	EDGE-LIT LED EXIT SIGN, PUBLIC AREAS, SURFACE MOUNT	DUAL-LITE LECSRNAI	5
XX	⊗	(1)	LED EXIT SIGN FOR BACK OF HOUSE AREA	DUAL-LITE LXURW	5

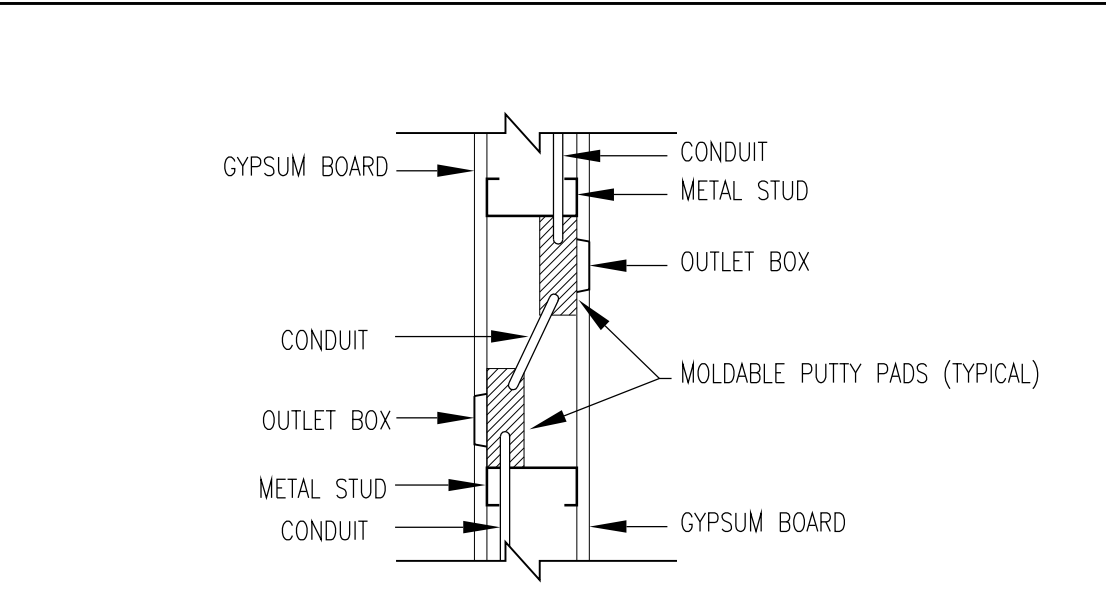
REFER TO DRAWINGS AND SPECIFICATIONS BY KNLD FOR ALL LIGHTING NOT INDICATED HEREIN

ELEVATOR/STAIRWELL NOTES

- HEAT DETECTOR(S) LOCATED IN THE SPRINKLED ELEVATOR EQUIPMENT ROOM AND ELEVATOR HOISTWAY SHALL ACTIVATE THE SPRINKLER SYSTEM BY OPENING THE SOLENOID WATER VALVE AND ALSO AUTOMATICALLY DISCONNECT THE MAIN SUPPLY POWER TO THE ELEVATOR CONTROLLER BY USING A SHUNT TRIP CIRCUIT BREAKER MOUNTED OUTSIDE OF THE ELEVATOR EQUIPMENT ROOM. THE HEAT DETECTORS SHALL BE SUPPLIED POWER FROM A SUPERVISED CIRCUIT FROM THE FIRE ALARM CONTROL PANEL. THERE SHALL BE (1) HEAT DETECTOR FOR EACH SPRINKLER HEAD LOCATED WITHIN 6" OF EACH HEAD.
- SMOKE DETECTOR(S) SHALL BE LOCATED IN EACH ELEVATOR LOBBY, ASSOCIATED ELEVATOR HOISTWAY, AND IN THE ELEVATOR EQUIPMENT ROOM. THE SMOKE DETECTORS SHALL BE SUPPLIED POWER FROM A SUPERVISED CIRCUIT FROM THE ALARM CONTROL PANEL IN SUCH A MANNER THAT UPON ACTIVATION OF A DETECTOR THE CAR WILL RETURN TO THE DESIGNATED LEVEL.
- PROVIDE COMPLETE INSTALLATION OF ELEVATOR FIRE PROTECTION INCLUDING ALL MATERIALS AND LABOR REQUIRED TO COMPLY WITH THE LATEST EDITION OF:
 - "AMERICANS WITH DISABILITIES ACT"
 - "ASME/ANSI SAFETY CODE FOR ELEVATORS AND ESCALATORS"
 - "NATIONAL ELECTRICAL CODE"
 - "NATIONAL FIRE PROTECTION ASSOCIATION"
 - "STANDARD FIRE PREVENTION CODE"
- SUBMIT TO LOCAL FIRE MARSHAL, COMPLETE OPERATIONAL SEQUENCE FOR APPROVAL.
- PROVIDE ALL ASSOCIATED ELECTRICAL FOR FIREMAN'S ELEVATOR RECALL.
- PANEL FOR ELEVATORS 1 AND 2 SHALL HAVE CIRCUITS FOR LOADS AS FOLLOWS:
 - 20A CIRCUIT FOR ELEVATOR EQUIPMENT ROOM LIGHTING
 - 20A CIRCUIT FOR ELEVATOR EQUIPMENT ROOM RECEPTACLES
 - 20A CIRCUIT FOR ELEVATOR CAR LIGHTS (EA. CAR)
 - 20A CIRCUIT FOR ELEVATOR CAR HVAC (EA. CAR)
 - 20A CIRCUIT FOR ELEVATOR PIT LIGHT/GFI RECEPTACLE (EA. CAR)
 - 20A CIRCUIT FOR ELEVATOR PIT SUMP PUMP (EA. CAR)
 - 20A CIRCUIT FOR SPRINKLER AIR COMPRESSOR
- PROVIDE ALL ASSOCIATED WIRING FOR ELEVATOR POWER AND CONTROLS, INCLUDING DISCONNECTING MEANS IN SIGHT OF MOTORS IN ACCORDANCE WITH THE REQUIREMENTS OF THE N.E.C.
- PROVIDE SMOKE DETECTOR IN TOP OF EACH STAIRWELL.
- PROVIDE ALL ASSOCIATED WIRING FOR SPRINKLER AIR COMPRESSOR(S).
- PROVIDE TAMPER AND FLOW SWITCHES AT EACH LEVEL AS REQUIRED.



2. CMU WALL OPPOSITE WALL BOXES
SCALE: NO SCALE
DET-0001



3. RATED WALL BOX OUTLET SEPARATION
SCALE: NO SCALE
DET-0001

HVAC NOTE:
ELECTRICAL CONTRACTOR SHALL FURNISH AND INSTALL A MANUAL SHUTDOWN SWITCH FOR EACH HVAC SYSTEM IN ACCORDANCE WITH NFPA 90A, SECTION 4-2. CONTRACTOR SHALL PROVIDE CLEAR MARKING OF THE FUNCTION OF EACH SWITCH. SWITCH SHALL BE LOCATED AS DIRECTED BY THE FIRE INSPECTOR. APPROXIMATE LOCATION OF EACH SWITCH IS INDICATED ON THE MECHANICAL PLANS.

CONDUIT NOTES:
1. CONDUIT SIZE SHALL BE INCREASED IN SIZE TO ACCOMMODATE INCREASED CABLE AS ADDED. "HOMERUNS" SHALL BE MINIMUM 1-1/4".
2. IT IS NOT PERMISSIBLE TO INSTALL CABLE WITHOUT CONDUIT IN AREAS WITH INACCESSIBLE CEILING. CONTRACTOR SHALL PROVIDE PULL STRINGS IN ALL CONDUIT FOR TELEPHONE/TELEVISION VENDOR.

NOTES

Prepared For:
119 Development, LLC
P.O. Box 7468
Portland, ME 04112

Consultant:
CHS ENGINEERING
CONSTANCE HIGLEY SCOTT, PE
7846 WOOD OAK COVE
CORDOVA, TN 38016
TEL: (901) 830-5300
EMAIL: chscot@chsengineering.com

Architect:
ARCHETYPE architects
48 Union Wharf Portland, Maine 04101
(207) 772-6022 Fax (207) 772-4056

Project:
Press Hotel
119 Exchange St.
Portland, ME 04101

Revisions:
ISSUED FOR BID 10/14/13

Scale:
ELECTRICAL DETAILS

Date:
E5.01