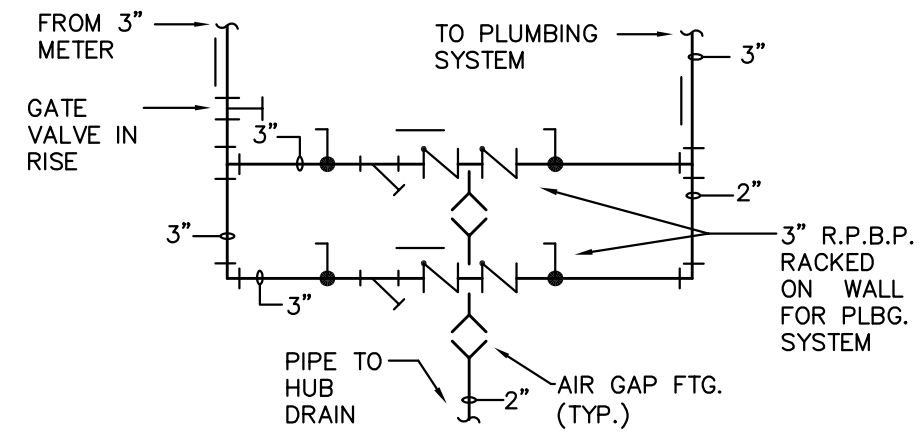
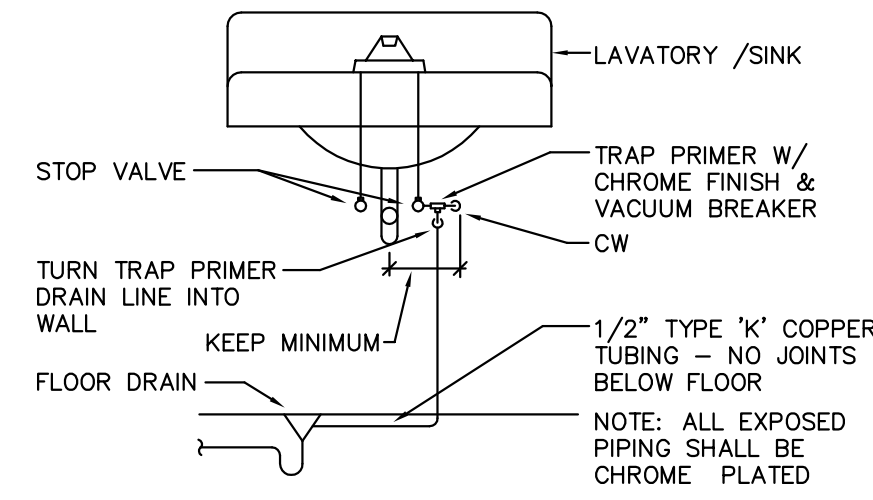


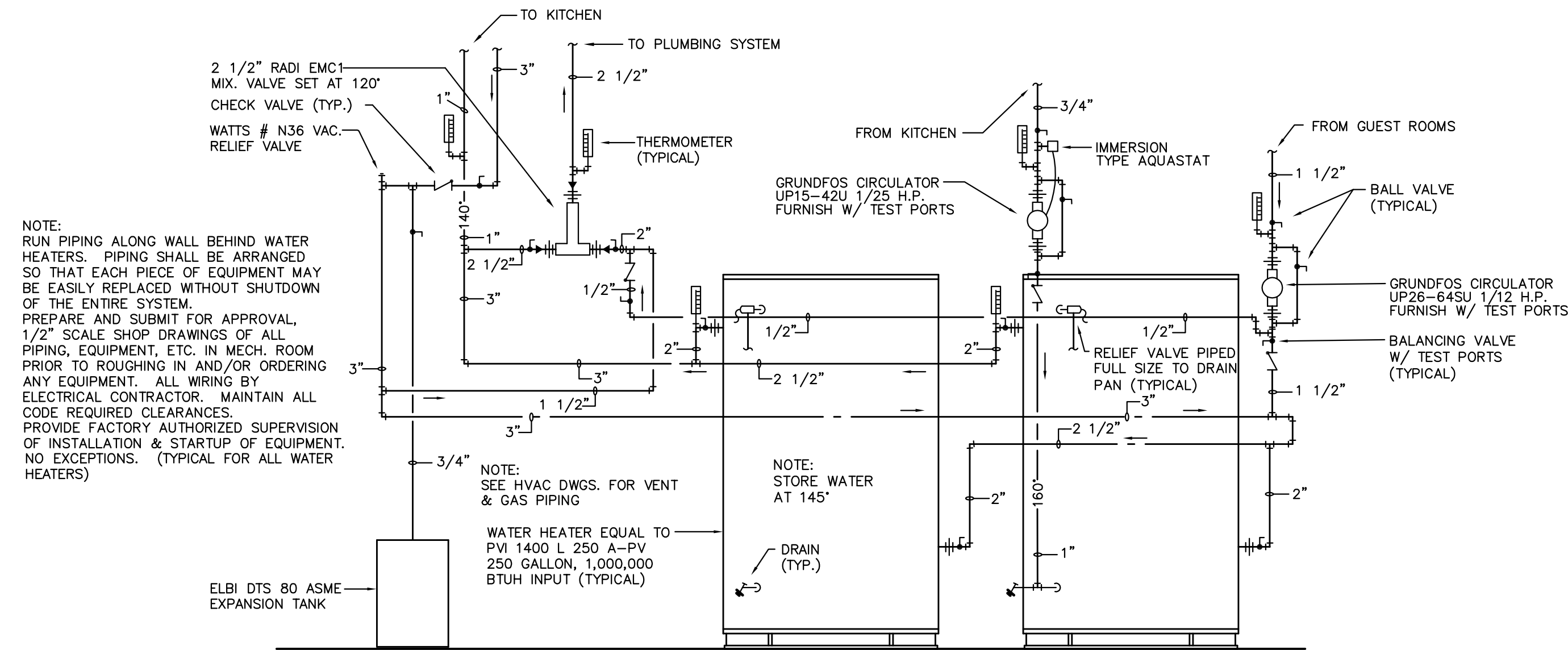
1 SHOWER ARM DETAIL
SCALE: NONE



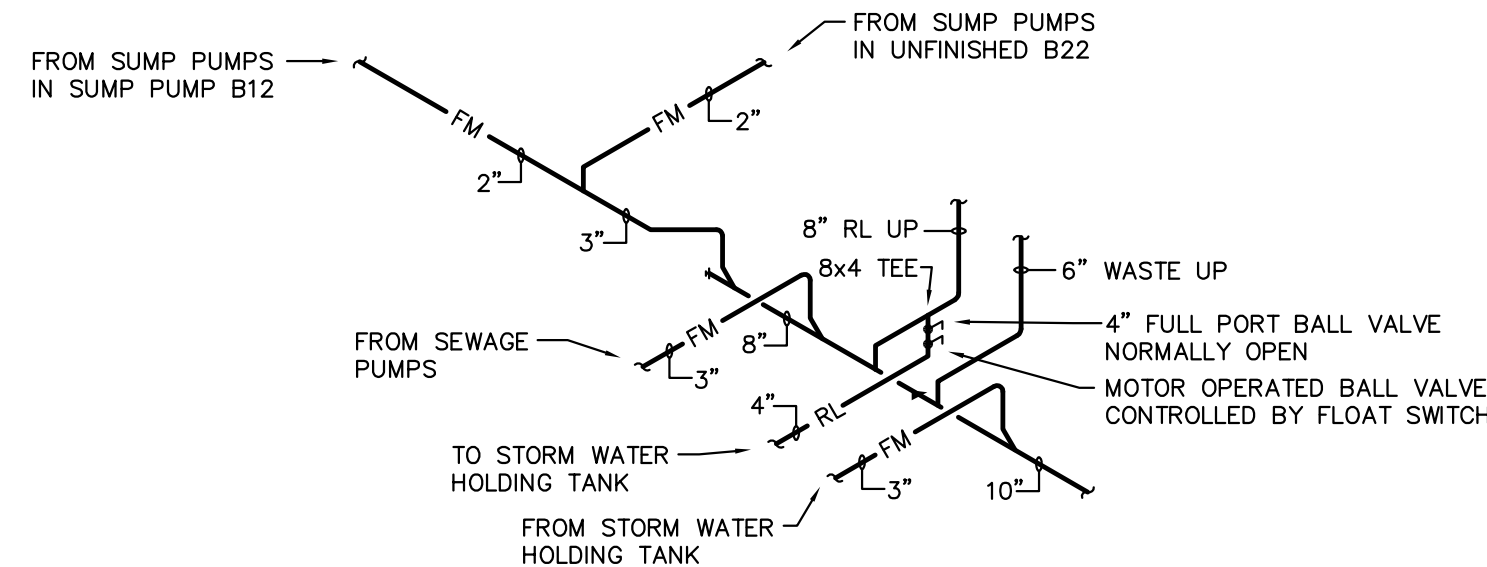
2 COLD WATER ENTRANCE DETAIL
SCALE: NONE



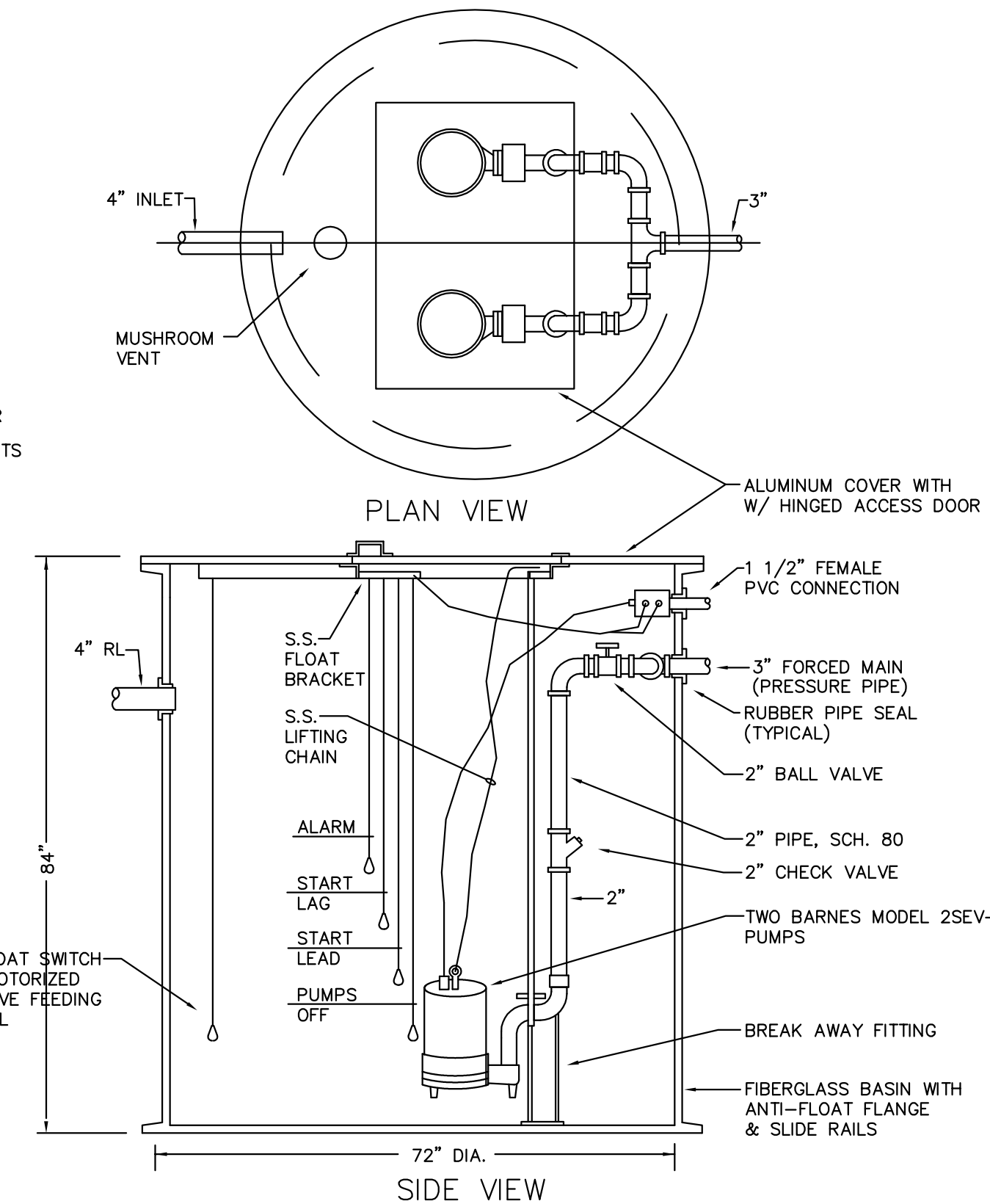
3 TRAP PRIMER DETAIL
SCALE: NONE



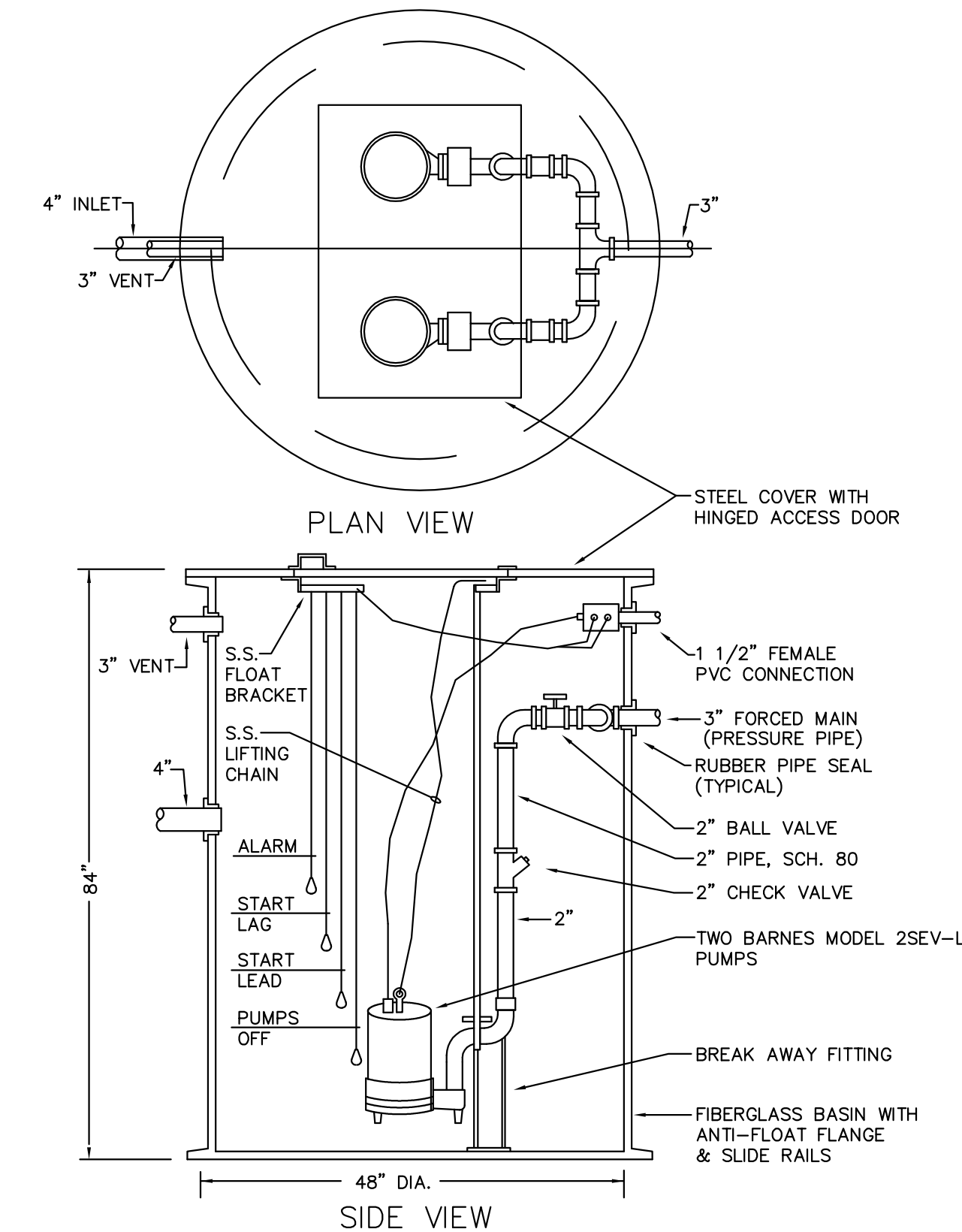
4 PIPING SCHEMATIC AT WATER HEATERS
SCALE: NONE



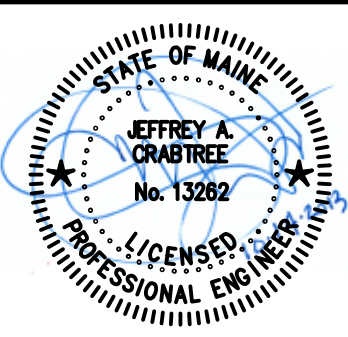
5 CONNECTION TO EXISTING COMBINED STORM/SANITARY DETAIL
SCALE: NONE



6 DUPLEX STORM WATER PUMP DETAIL AND SPECIFICATION
SCALE: NONE



7 DUPLEX SEWAGE PUMP DETAIL AND SPECIFICATION
SCALE: NONE



Prepared For:
119 Development, LLC
P.O. Box 7468
Portland, ME 04112

Consultant:
CRABTREE ENGINEERING
278 AMELIA COVE
COLLIERVILLE, TN 38017
PLUMBING: bob@crabtree.com

Architect:
ARCHETYPE architects
48 Union Wharf Portland, Maine 04101
(207) 772-6022 Fax (207) 772-4056

Project:
PRESS HOTEL
390 CONGRESS STREET
PORTLAND, ME 04101

Revisions:	1	13_07-01	30% Marriott Submission
	2	13_09-09	60% Marriott Sub. & Pric.
	3	13_10-14	Issue for Bid & Marriott Rev.

Date: 13 October 2013
Scale: AS NOTED
PLUMBING DETAILS

P9.02