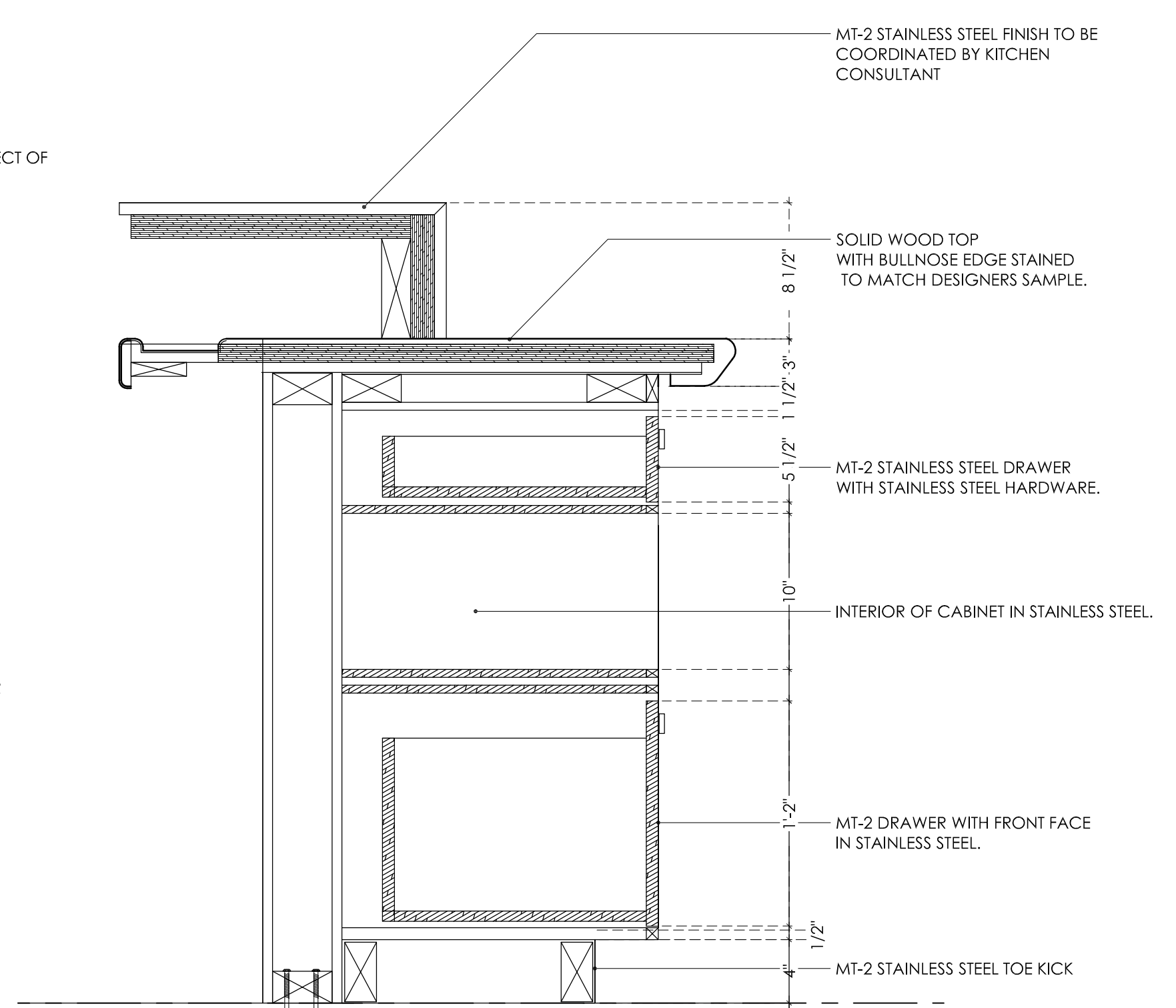


1 BAR ELEVATION EAST + SOFFIT
1/2" = 1'-0"

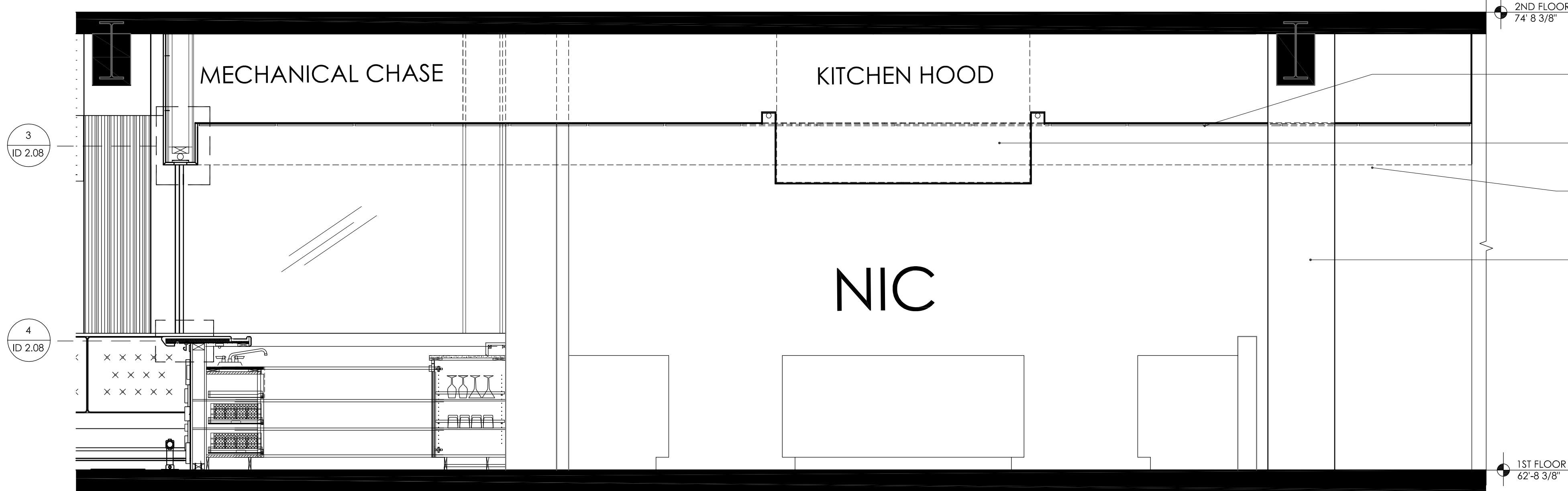
3
ID 2.06

- **NOTE: TO BE COORDINATED BY STRUCTURAL ENGINEER AND ARCHITECT OF RECORD
- OPTION 1: ST-1- CALCATA 3/4" SLAB ANCHORED TO SOFFIT FACIA.
- OPTION 2: ST-2 STONELITE PANELS - CALACATTA. SEE MATERIAL MATRIX.
- COPPER CLADDING AROUND KITCHEN VENTILATION HOOD. MT-1
- EXISTING EXPOSED COLUMN
- MT-2 STAINLESS STEEL FINISH.
- MT-2 STAINLESS STEEL FINISH.
- RECTANGULAR SOLID WOOD. END GRAIN SLIVERS WITH MATTE LACQUER SPRAY FINISH COLOR T.B.D SEE DESIGNER SAMPLE



5 BAR SECTION SERVICE AREA
1/2" = 1'-0"

- MT-2 STAINLESS STEEL FINISH TO BE COORDINATED BY KITCHEN CONSULTANT
- SOLID WOOD TOP WITH BULLNOSE EDGE STAINED TO MATCH DESIGNERS SAMPLE.
- MT-2 STAINLESS STEEL DRAWER WITH STAINLESS STEEL HARDWARE.
- INTERIOR OF CABINET IN STAINLESS STEEL.
- MT-2 DRAWER WITH FRONT FACE IN STAINLESS STEEL.
- MT-2 STAINLESS STEEL TOE KICK

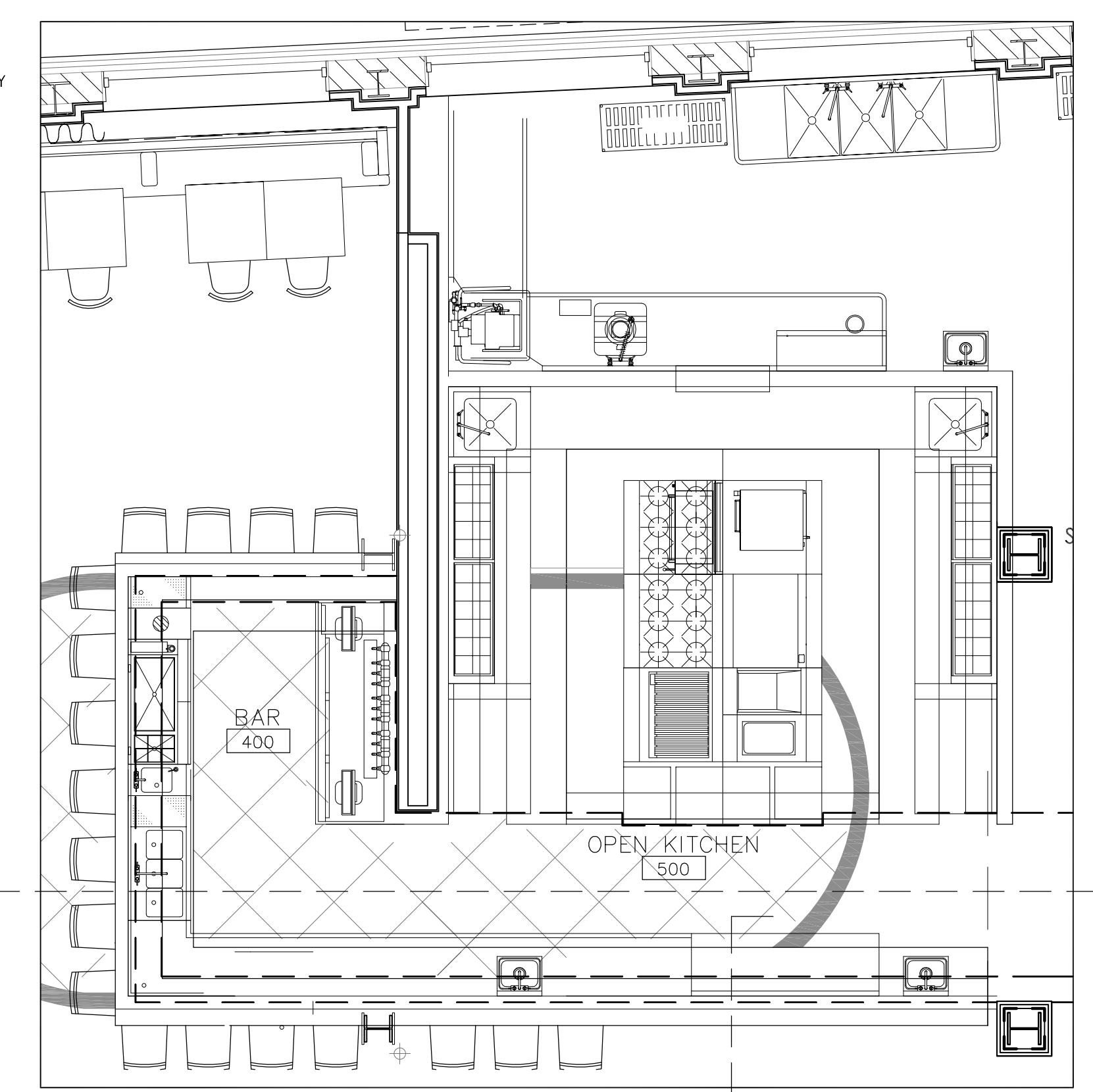


2 BAR SECTION EAST + SOFFIT
1/2" = 1'-0"

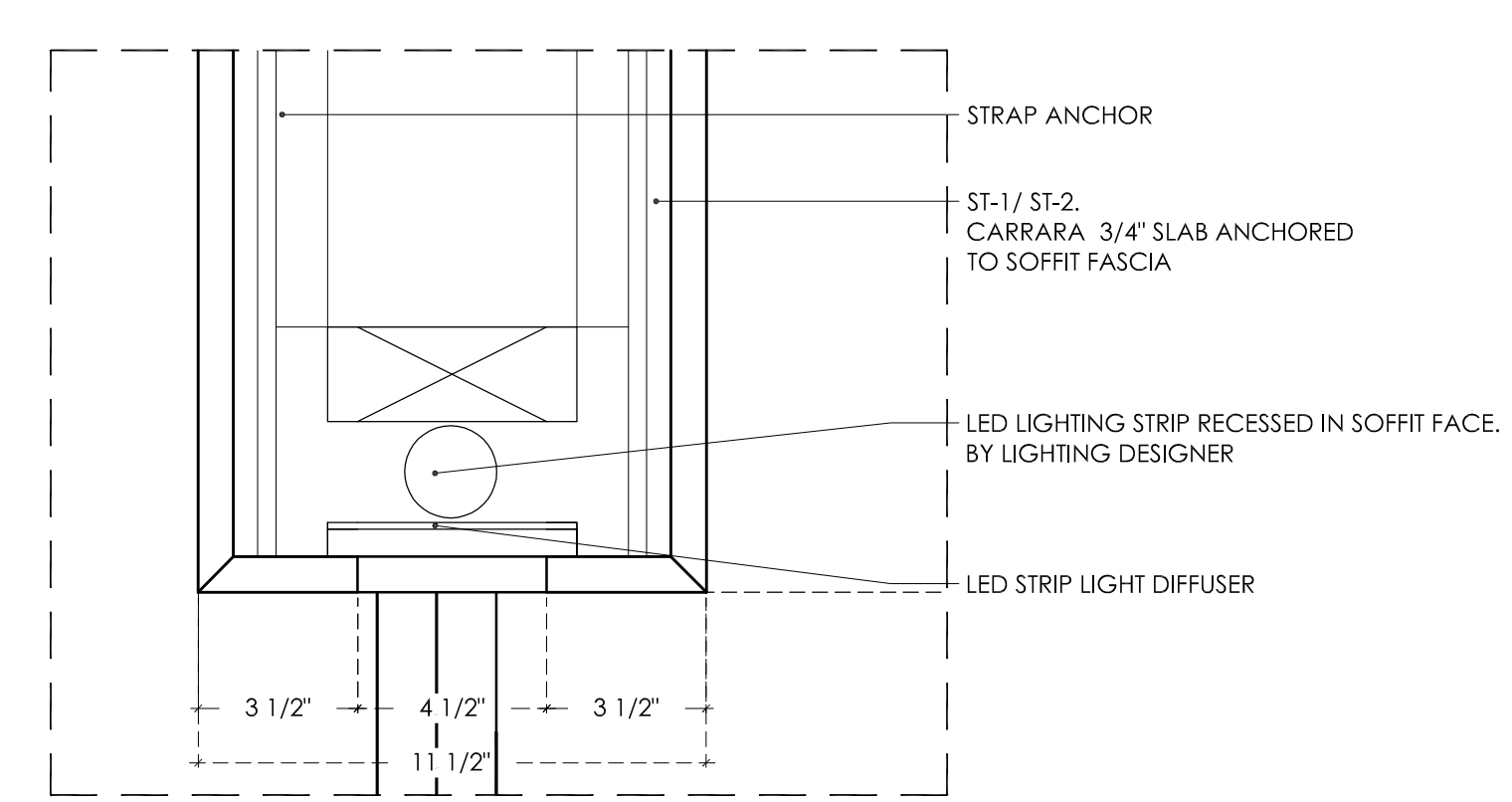
3
ID 2.08

4
ID 2.08

- 24" x 24" WOOD PANEL WITH 1" REVEAL/ QUATER TURNED PLANKS MATTE STAIN TO MATCH DESIGNER SAMPLE WHATEVER THIS CEILING IS CALLED
- COPPER CLADDING AROUND KITCHEN VENTILATION HOOD. X-XX
- LINE OF SOFFIT FACE
- EXISTING COLUMN. CUSTOM WOOD PANELING SURROUND IN POLYURETHANE PAINT MATTE FINISH COLOR TO MATCH BM# HC-105 COLOR ROCKPROOF GRAY

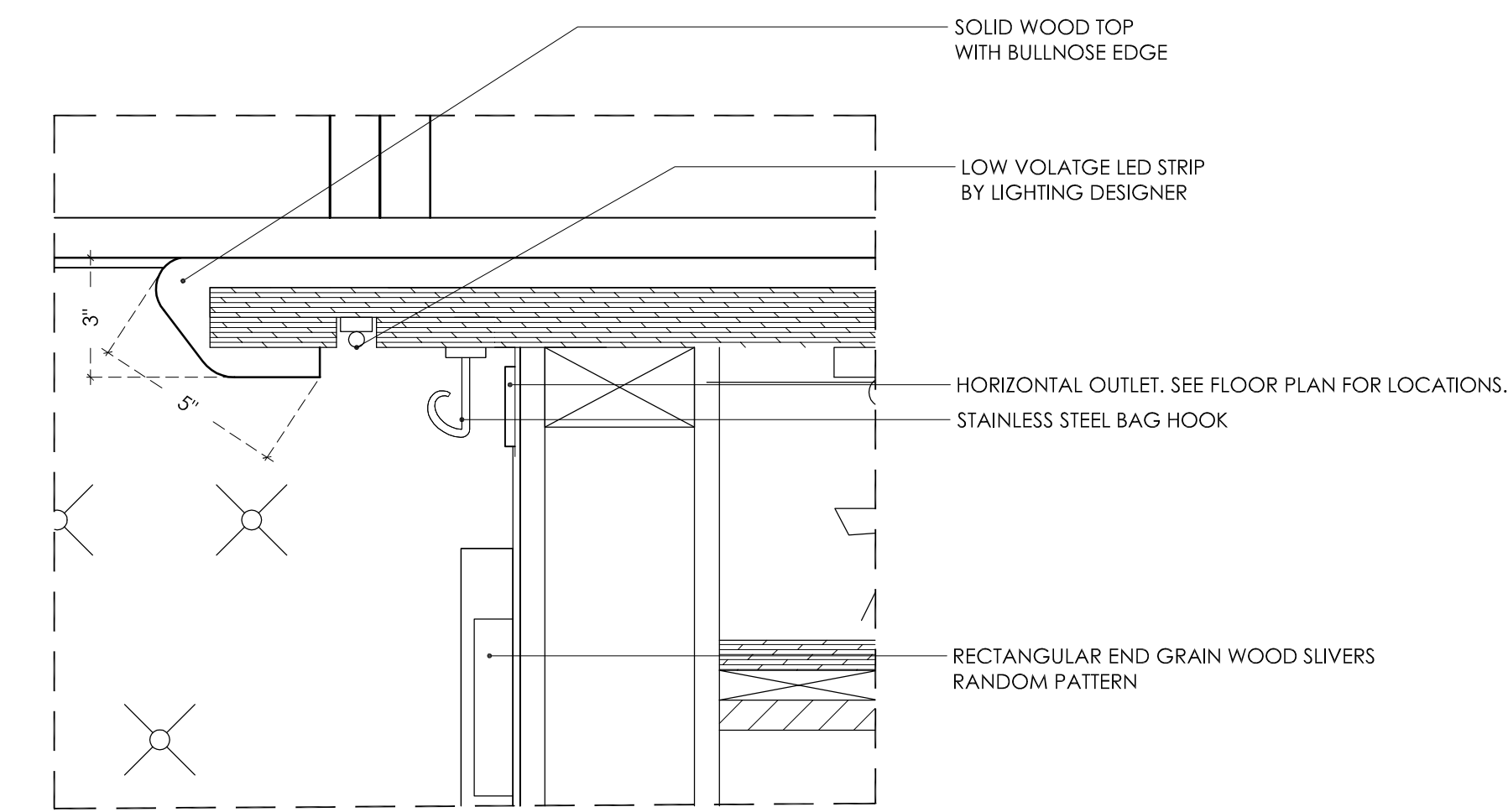


6 ENLARGED KEY PLAN
3/8" = 1'-0"



3 BAR SOFFIT LIGHTING DETAIL
3" = 1'-0"

- STRAP ANCHOR
- ST-1/ ST-2 CARRARA 3/4" SLAB ANCHORED TO SOFFIT FACIA
- LED LIGHTING STRIP RECESSED IN SOFFIT FACE. BY LIGHTING DESIGNER
- LED STRIP LIGHT DIFFUSER



4 COUNTER TOP DETAIL
3" = 1'-0"

- SOLID WOOD TOP WITH BULLNOSE EDGE
- LOW VOLTAGE LED STRIP BY LIGHTING DESIGNER
- HORIZONTAL OUTLET. SEE FLOOR PLAN FOR LOCATIONS.
- STAINLESS STEEL BAG HOOK
- RECTANGULAR END GRAIN WOOD SLIVERS RANDOM PATTERN

****PARTIAL BID SET. NOT FOR CONSTRUCTION****

Prepared For: **119 Development, LLC**

Consultant: **ARCHETYPE architects**
48 Union Wharf Portland, Maine 04101
(207) 772-6022 Fax (207) 772-4056

Project: **PRESS HOTEL**
390 CONGRESS STREET
PORTLAND, ME 04101

Revisions:
1 13-07-01 30% Marriott Submission
2 13-09-09 60% Marriott Sub. & Pric.
3 13-10-14 Issue for Bid & Marriott Rev.

Date: **08 OCT 13**

Scale: **BAR DETAILS**

RD-2.08