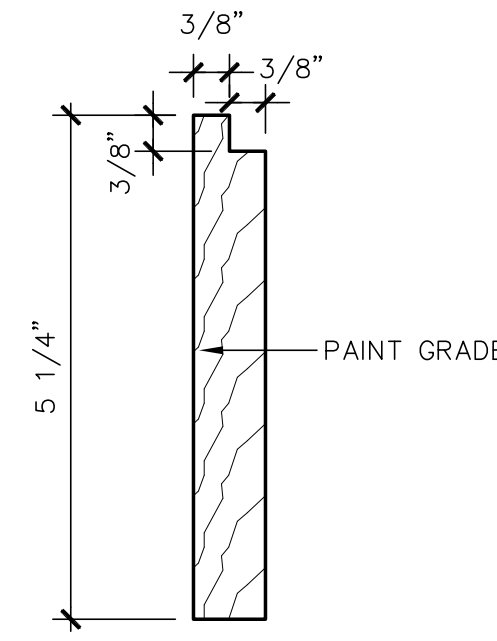
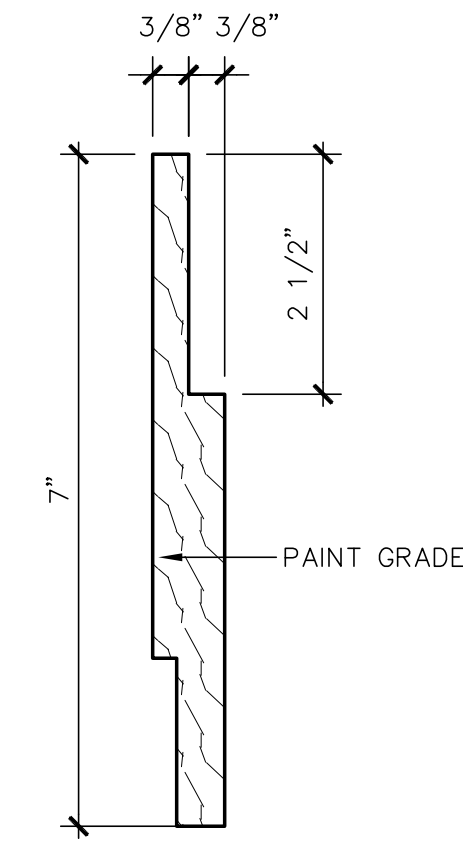


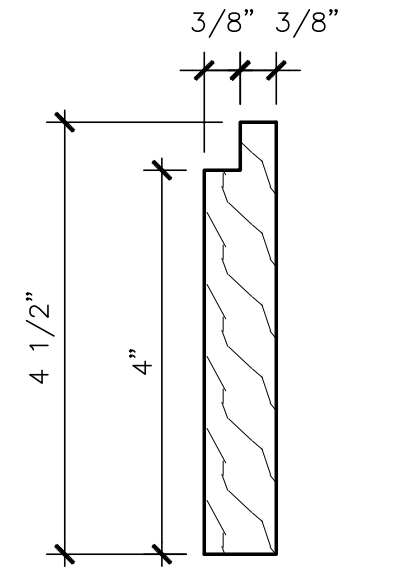
WOOD BASE @
WB-10 MEETING ROOMS, BOARDROOM
1/8" = 1'-0"



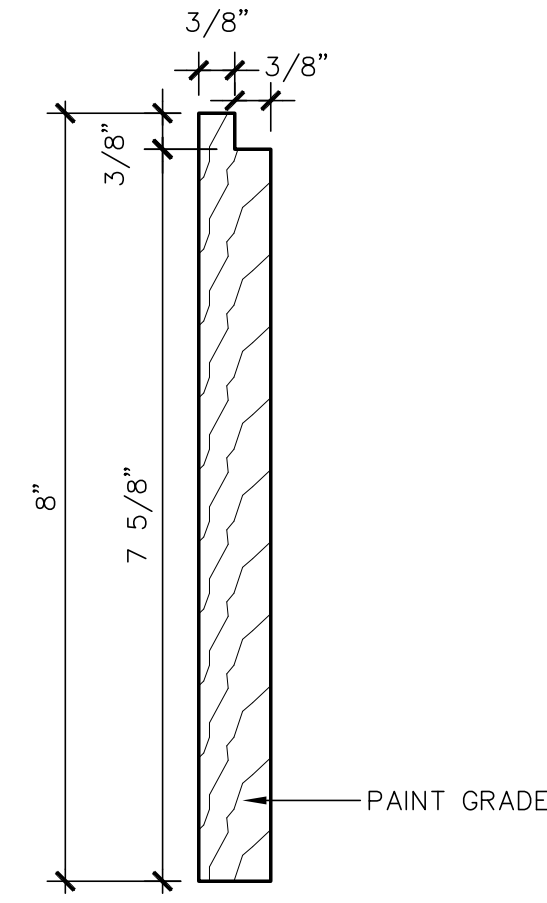
WOOD BASE @
WB-11 TYP. GUESTROOM CORRIDOR
1/8" = 1'-0"



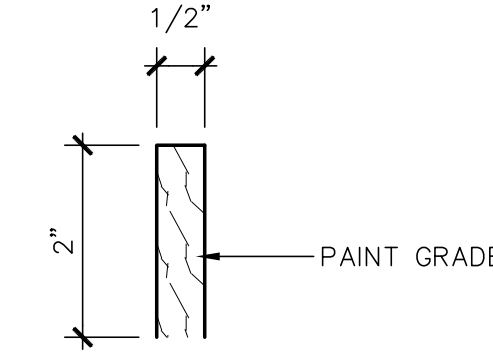
WB-12 WOOD BASE AT GUESTROOMS
1/8" = 1'-0"



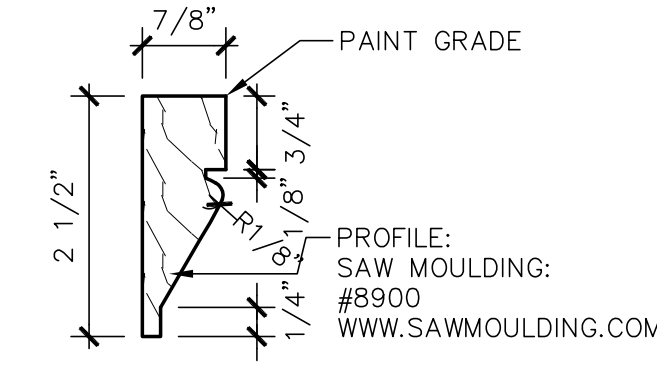
WB-13 WOOD BASE AT BAR
1/8" = 1'-0"



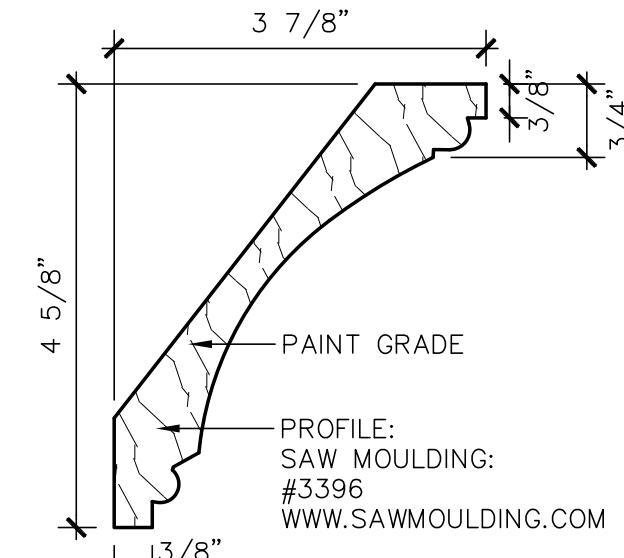
WOOD BASE @
WB-14 LOBBY, RECEPTION AREA
1/8" = 1'-0"



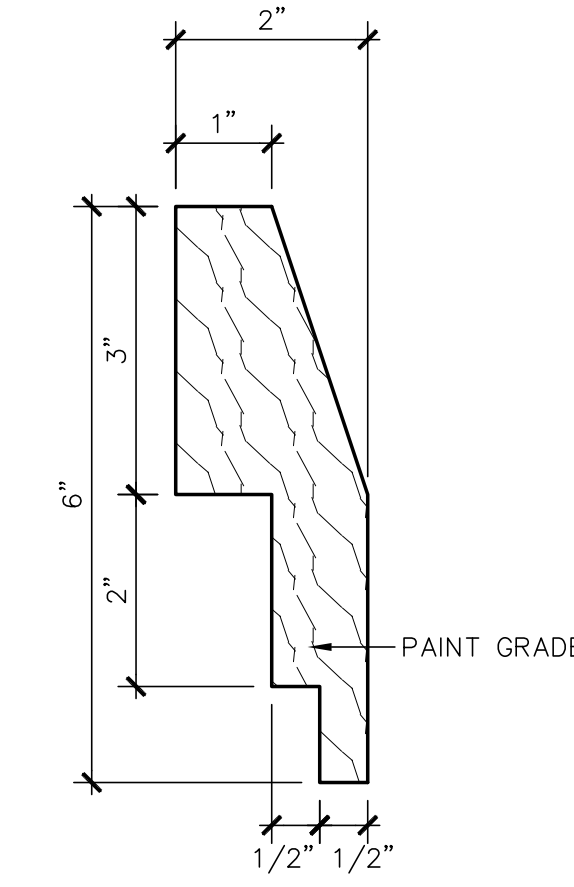
WOOD BASE @ PREFUNCTION
WB-10 SPACE
1/8" = 1'-0"



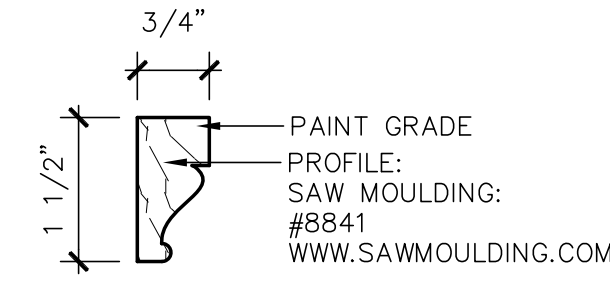
PANELING TRIM @
TR-10 MEETING ROOMS, BOARDROOM
1/8" = 1'-0"



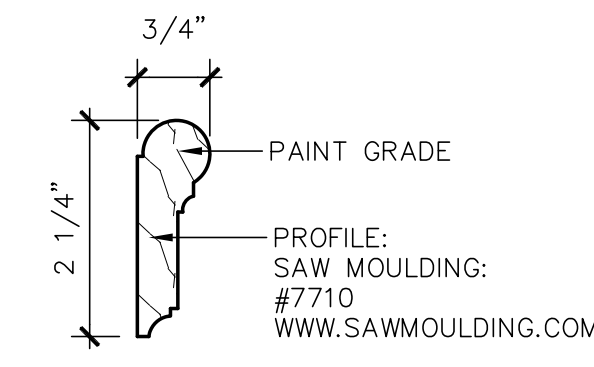
CROWN MOULDING @
TR-11 MEETING ROOMS, BOARDROOM
1/8" = 1'-0"



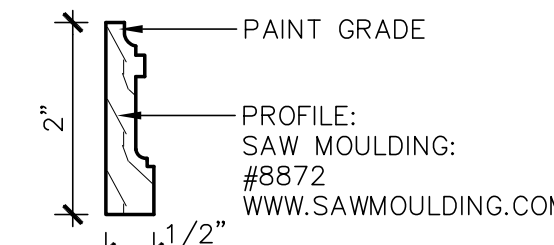
CROWN MOULDING @ LOBBY,
TR-12 RECEPTION AREA
1/8" = 1'-0"



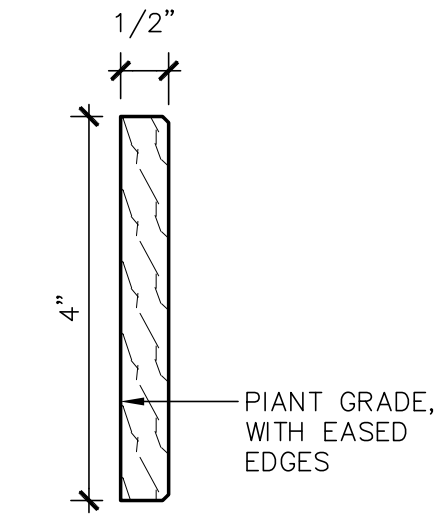
PANELING TRIM @ BELLMAN LOBBY,
TR-13 EXCHANGE ENTRY
1/8" = 1'-0"



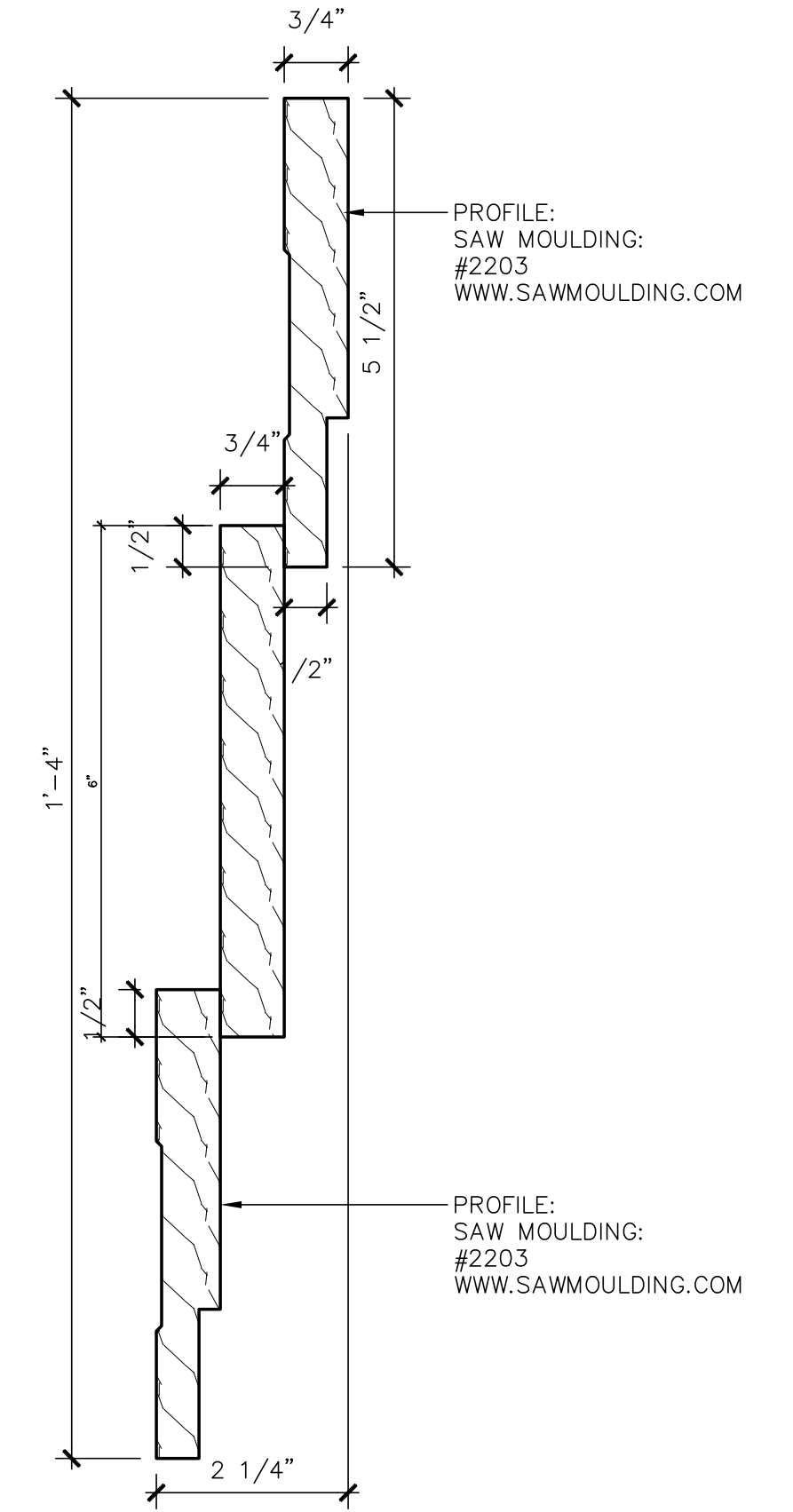
PICTURE RAIL
TR-14 @ MEETING RM 2
1/8" = 1'-0"



DOOR TRIM @
TR-15 ALL DOORS (EXCEPT GUESTRM ENTRY)
1/8" = 1'-0"



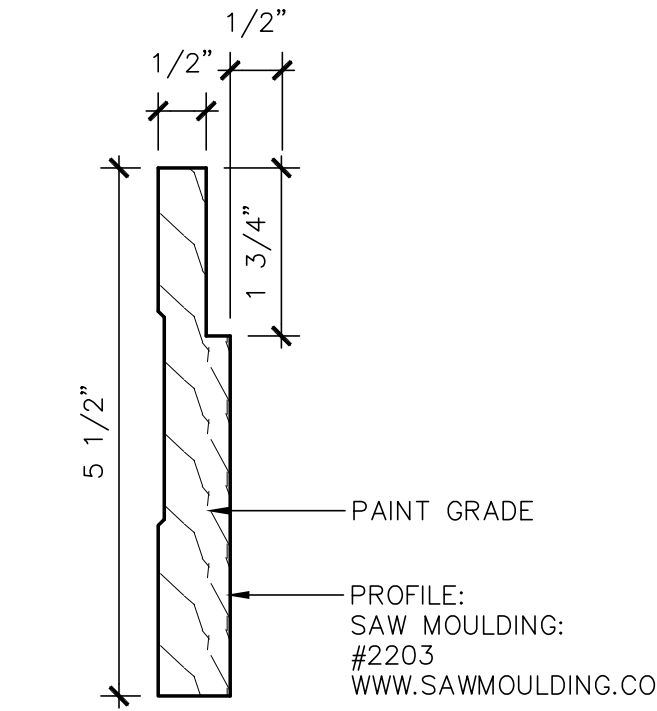
WALL TRIM
TR-16 @ LOBBY AREAS
1/8" = 1'-0"



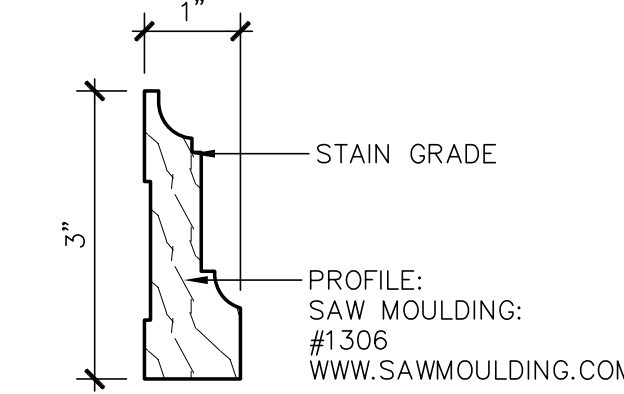
CROWN MOULDING
TR-17 @ BELLMAN & ELEV. LOBBY
1/8" = 1'-0"

PROFILE:
SAW MOULDING:
#2203
WWW.SAWMOULDING.COM

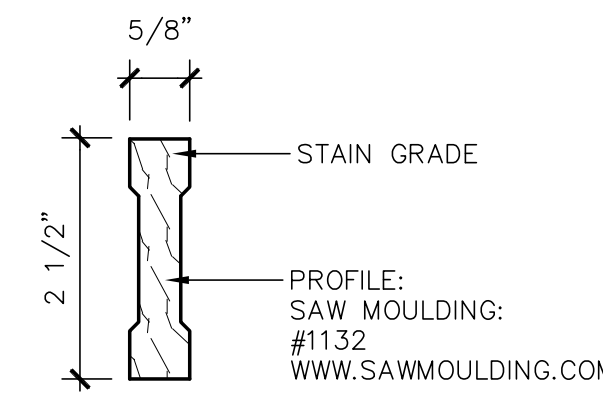
PROFILE:
SAW MOULDING:
#2203
WWW.SAWMOULDING.COM



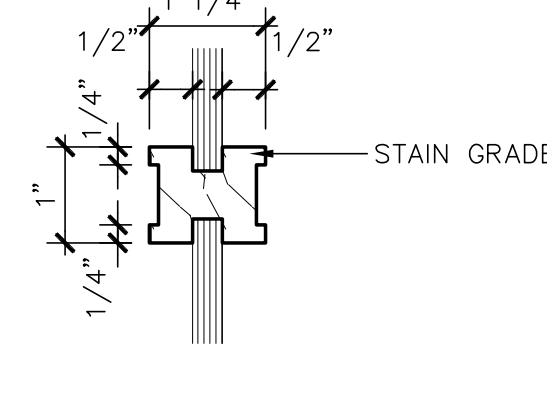
MIRROR TRIM @
TR-20 FITNESS CENTER
1/8" = 1'-0"



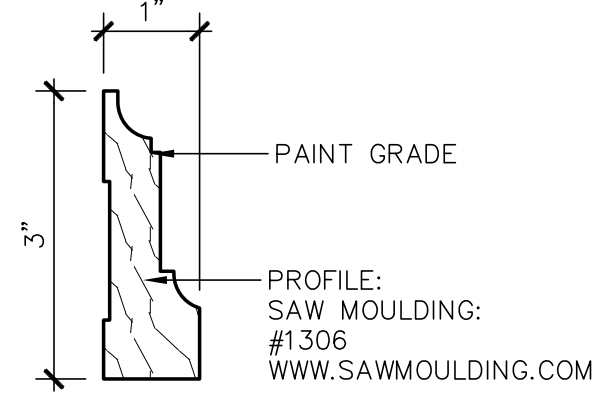
TRIM @
TR-21 GLASS ENTRY SCREEN
1/8" = 1'-0"



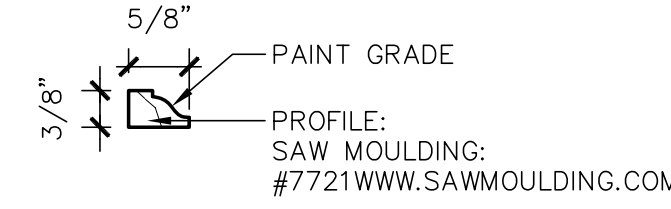
TRIM @
TR-22 GLASS ENTRY SCREEN
1/8" = 1'-0"



TRIM @
TR-23 GLASS ENTRY SCREEN
1/8" = 1'-0"



DOOR TRIM @
TR-24 GUEST RM ENTRY
1/8" = 1'-0"



DOOR TRIM @
TR-25 GUEST RM ENTRY
1/8" = 1'-0"

Date: 06 SEPT, 2013

Scale: 6" = 1'-0"

Revisions:		
1	3-07-01	30% Marriott Submission
2	3-09-09	60% Marriott Sub. & Pric.
3	3-10-14	Issue for Bid & Marriott Revv.

Project: Press Hotel

119 Exchange St.
Portland, ME 04101

Architect: ARCHETYPE Architects
48 Union Wharf Portland, Maine 04101
(207) 772-6022 Fax (207) 772-4056

Consultant: STONEHILL & TAYLOR ARCHITECTS AND PLANNERS
31 W. 27th Street New York, NY 10001
(212) 226-8898 Fax (212) 941-1874

Prepared For: 119 Development, LLC
P.O. Box 7468
Portland, ME 04112

ID-8.01