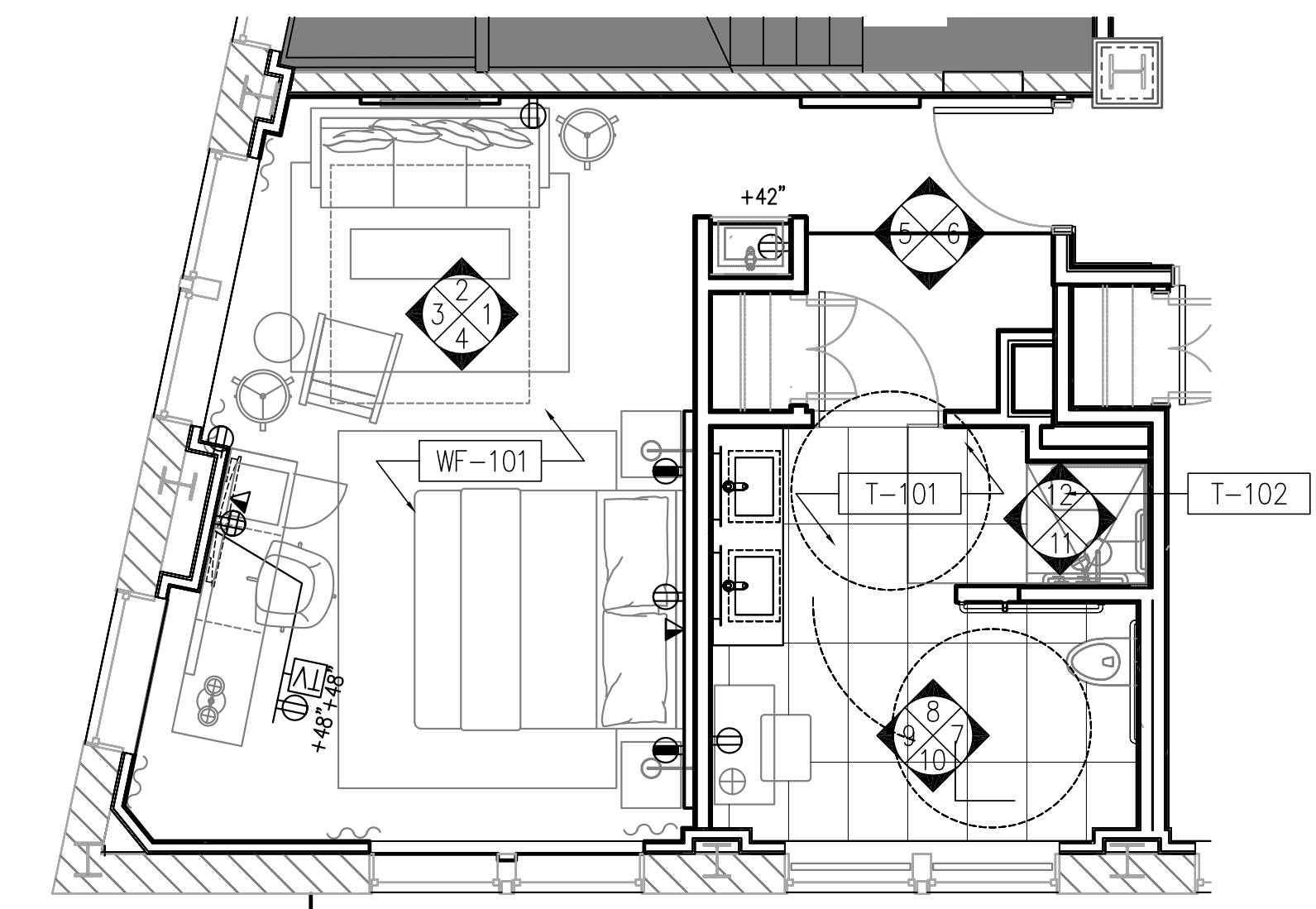
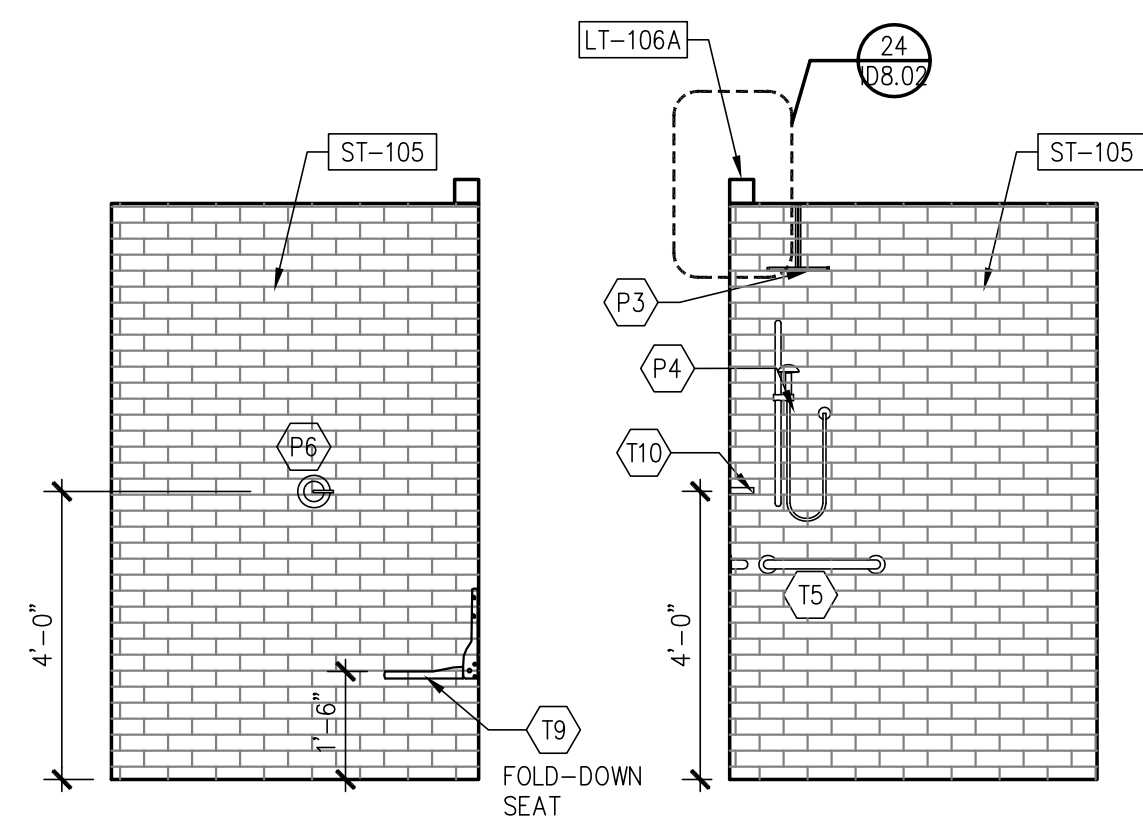


21 ROOM TYPE N-ADA REFLECTED CEILING PLAN
1/4" = 1'-0"

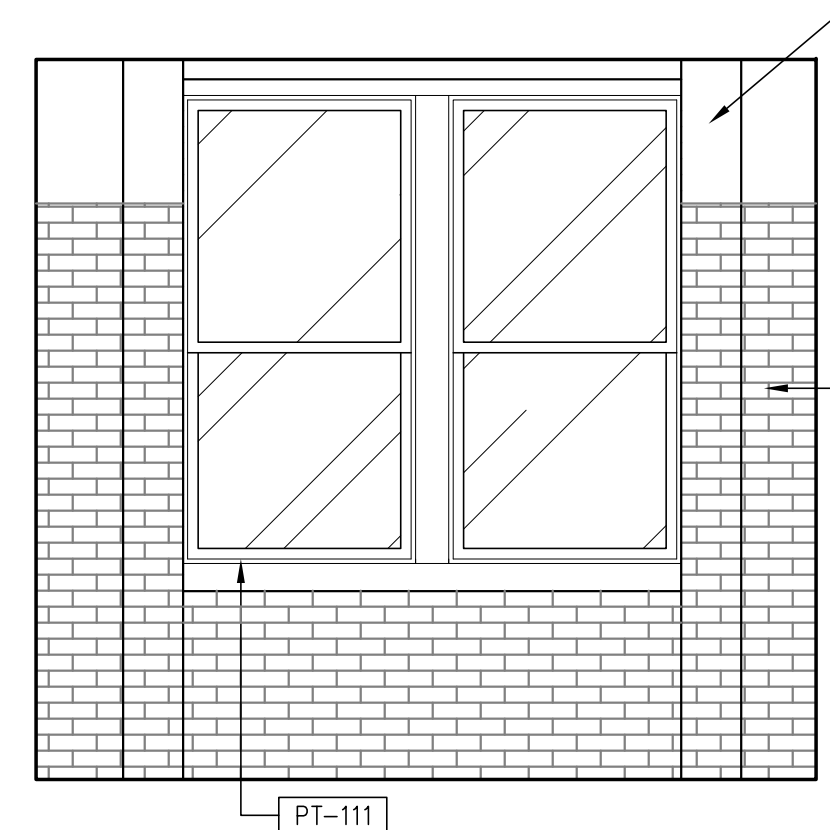


20 ROOM TYPE N-ADA FLOOR PLAN
1/4" = 1'-0"

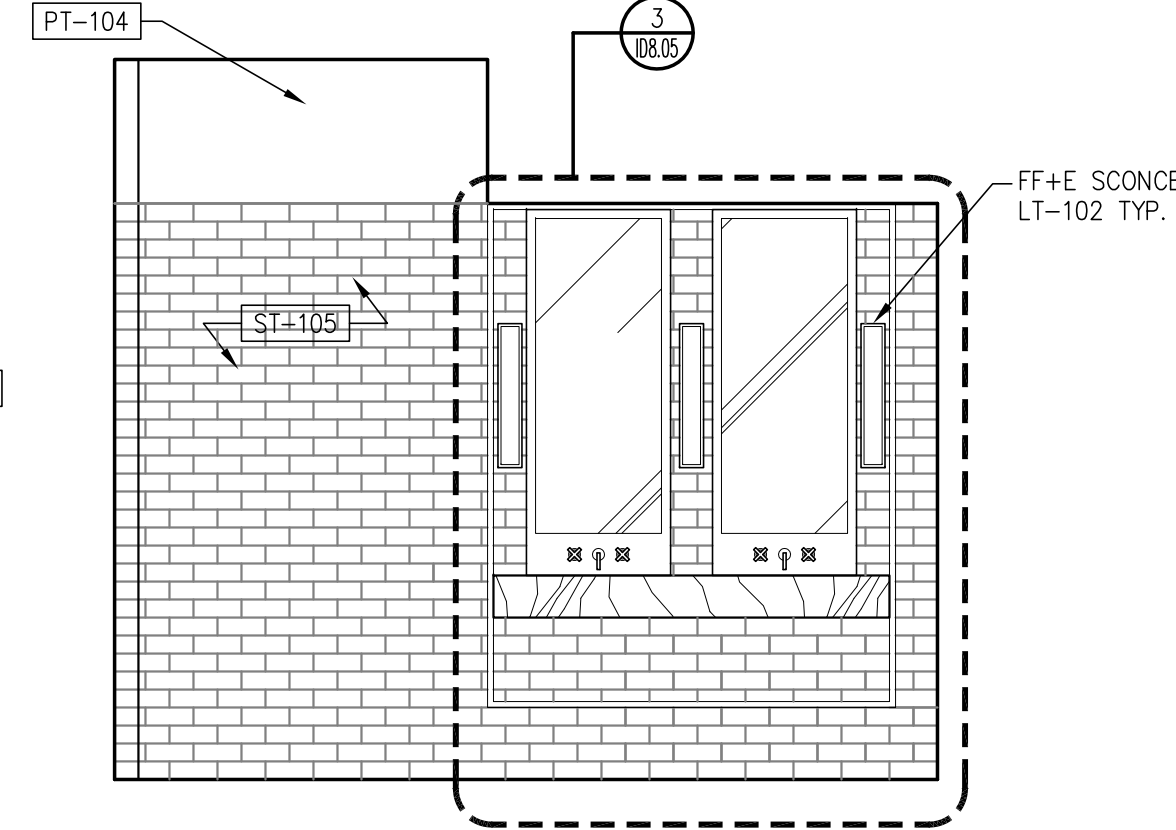


12 BATHROOM ELEVATION
3/8" = 1'-0"

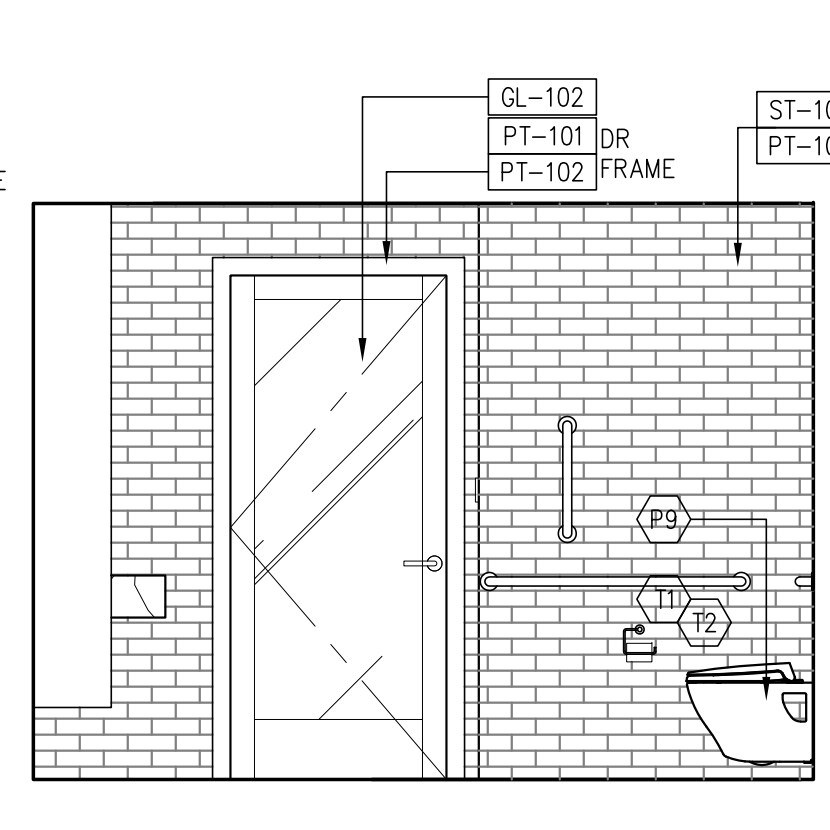
11 BATHROOM ELEVATION
3/8" = 1'-0"



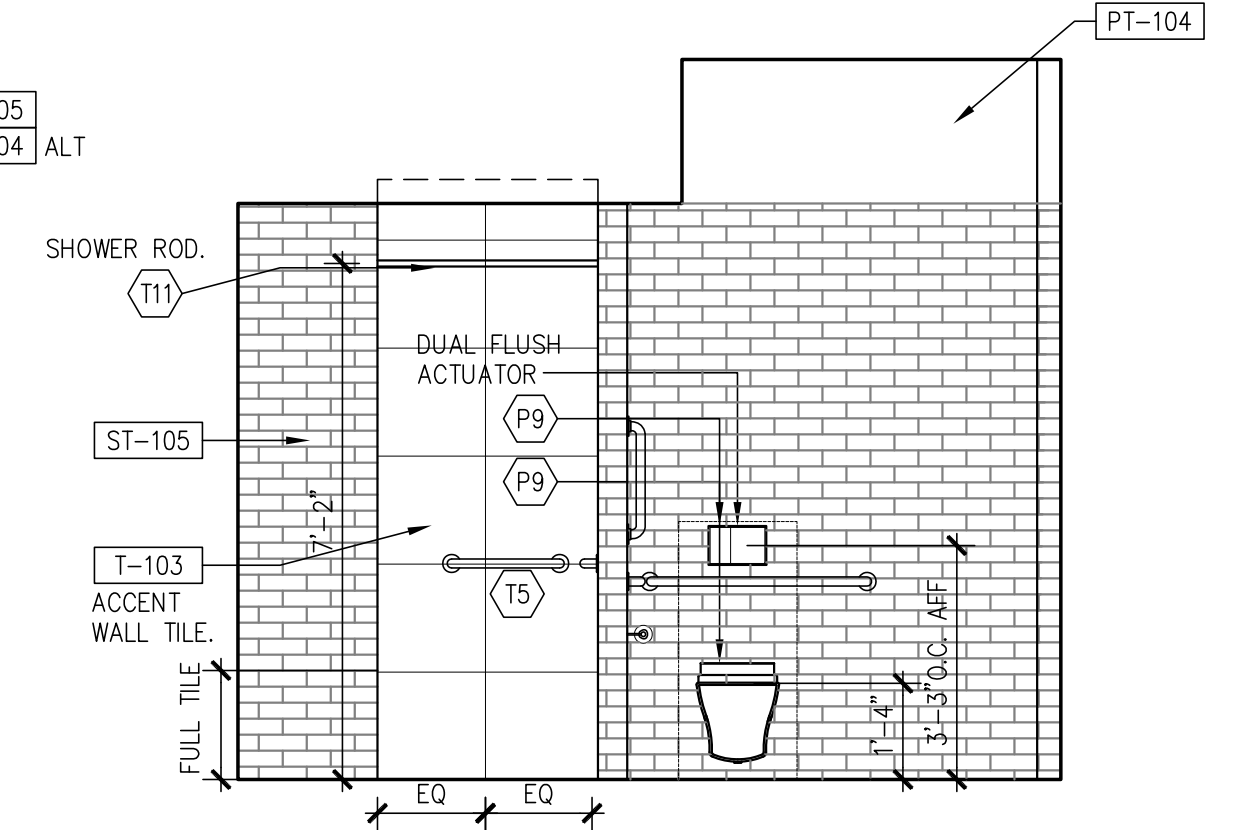
10 BATHROOM ELEVATION
3/8" = 1'-0"



9 BATHROOM ELEVATION
3/8" = 1'-0"

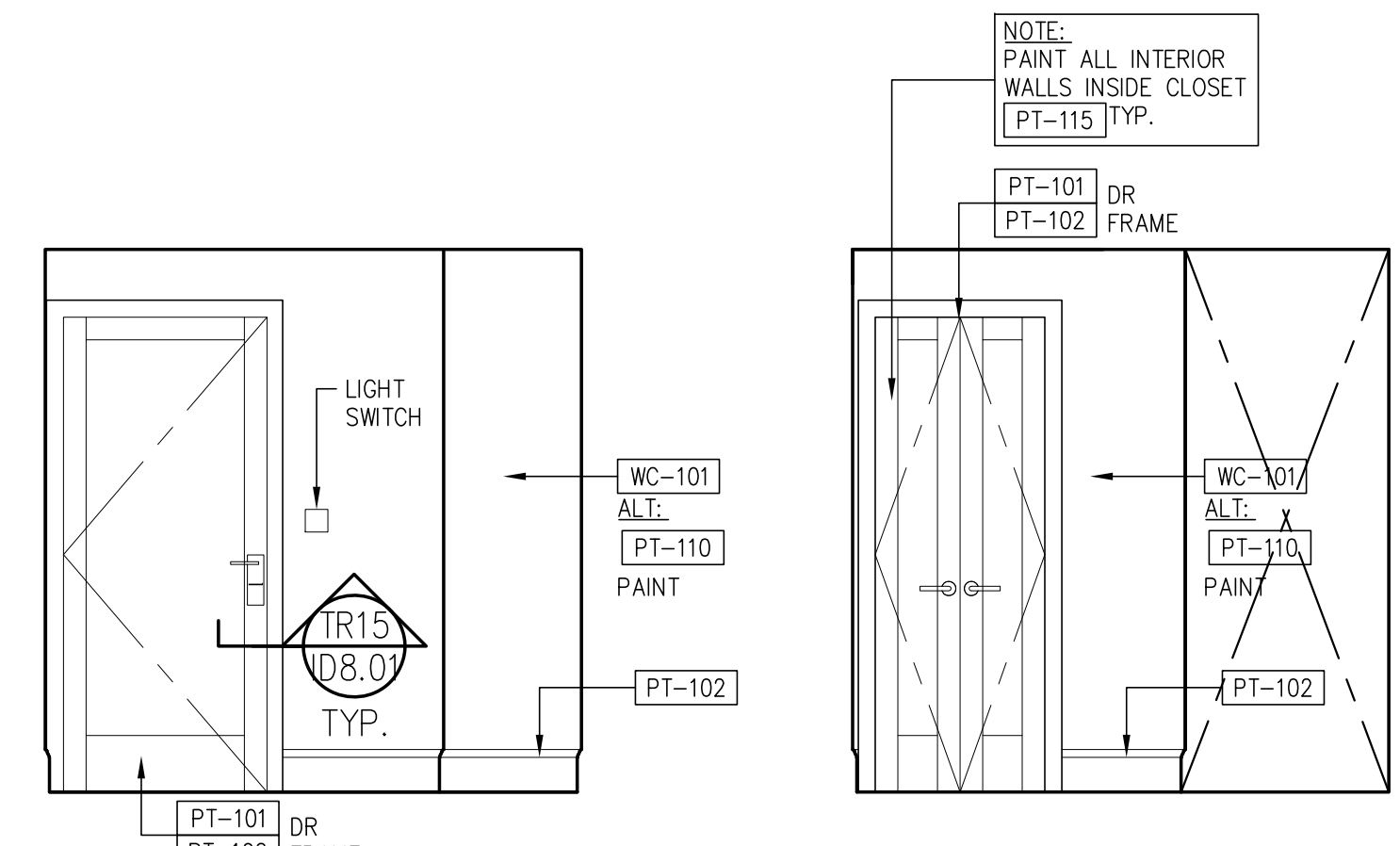


8 BATHROOM ELEVATION
3/8" = 1'-0"



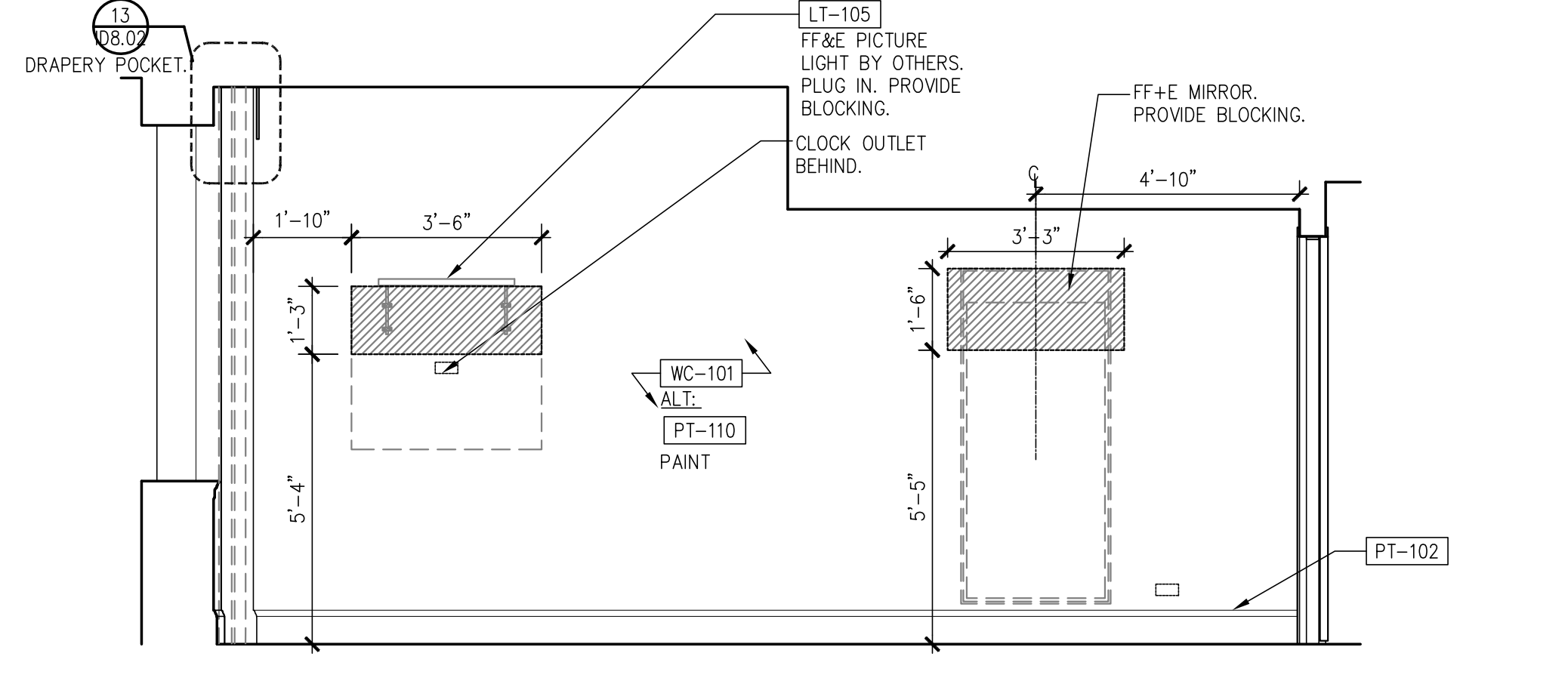
7 BATHROOM ELEVATION
3/8" = 1'-0"

NOTE: SEE SHEET ID8.05 FOR ADA MOUNTING HEIGHTS.

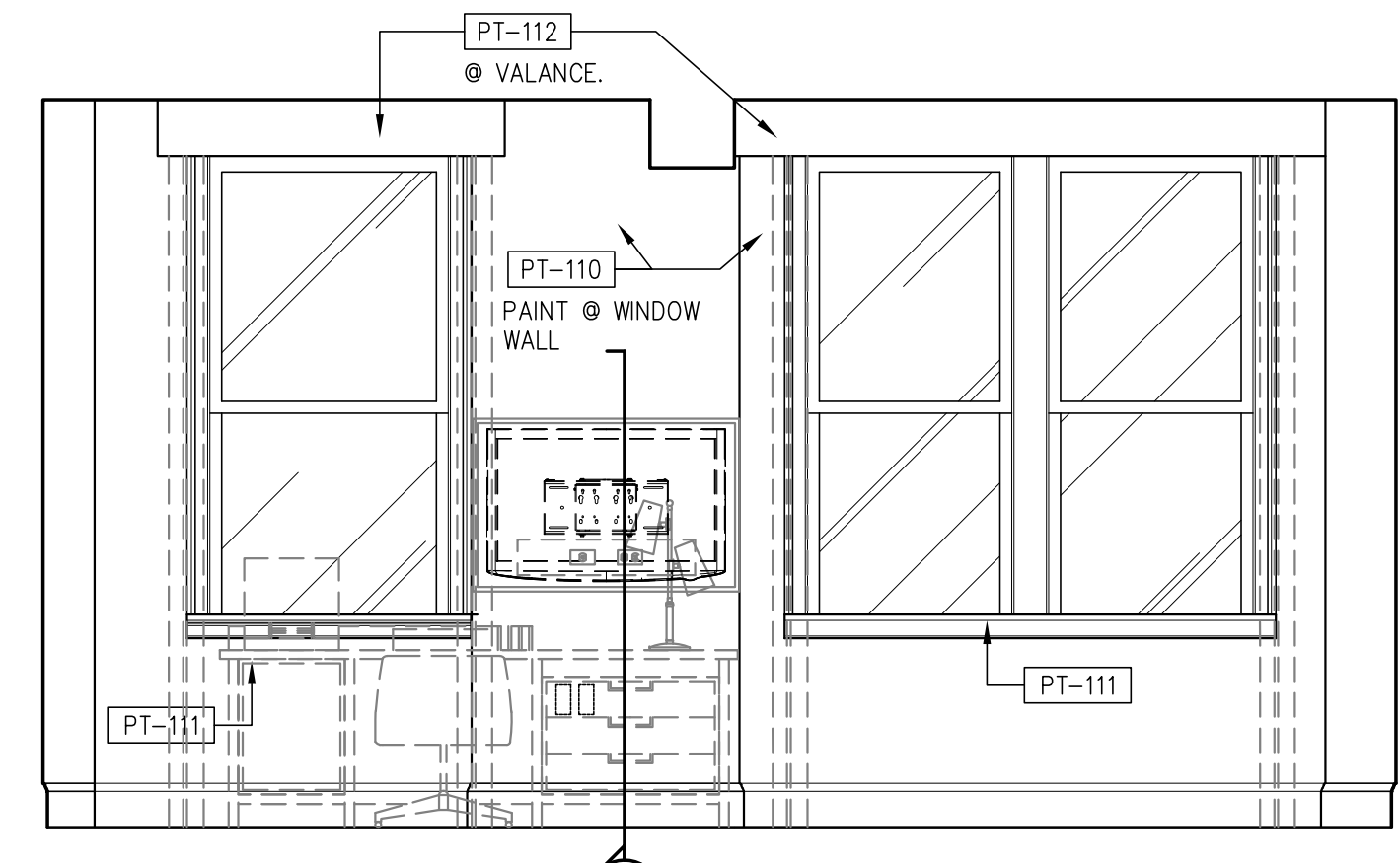


6 BEDROOM ELEVATION
3/8" = 1'-0"

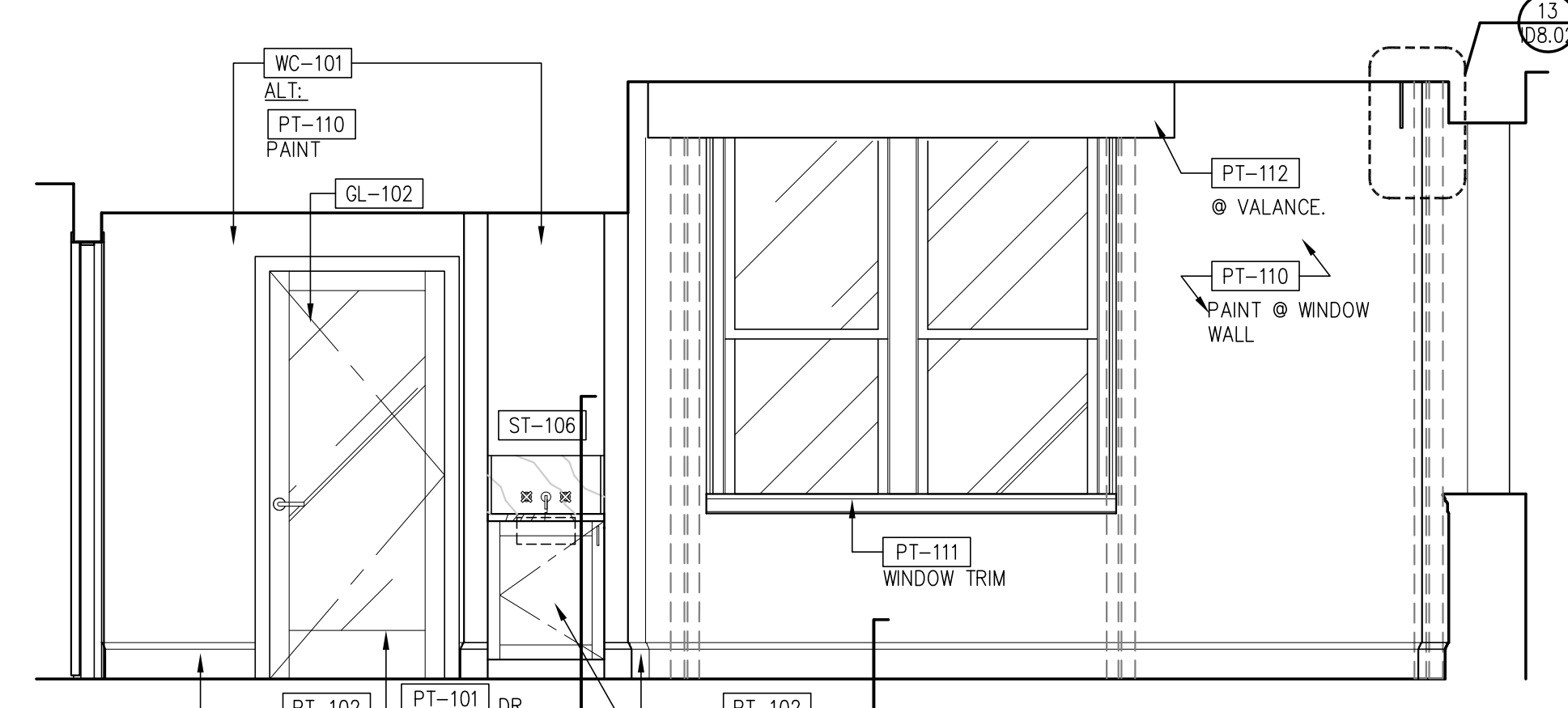
5 BEDROOM ELEVATION
3/8" = 1'-0"



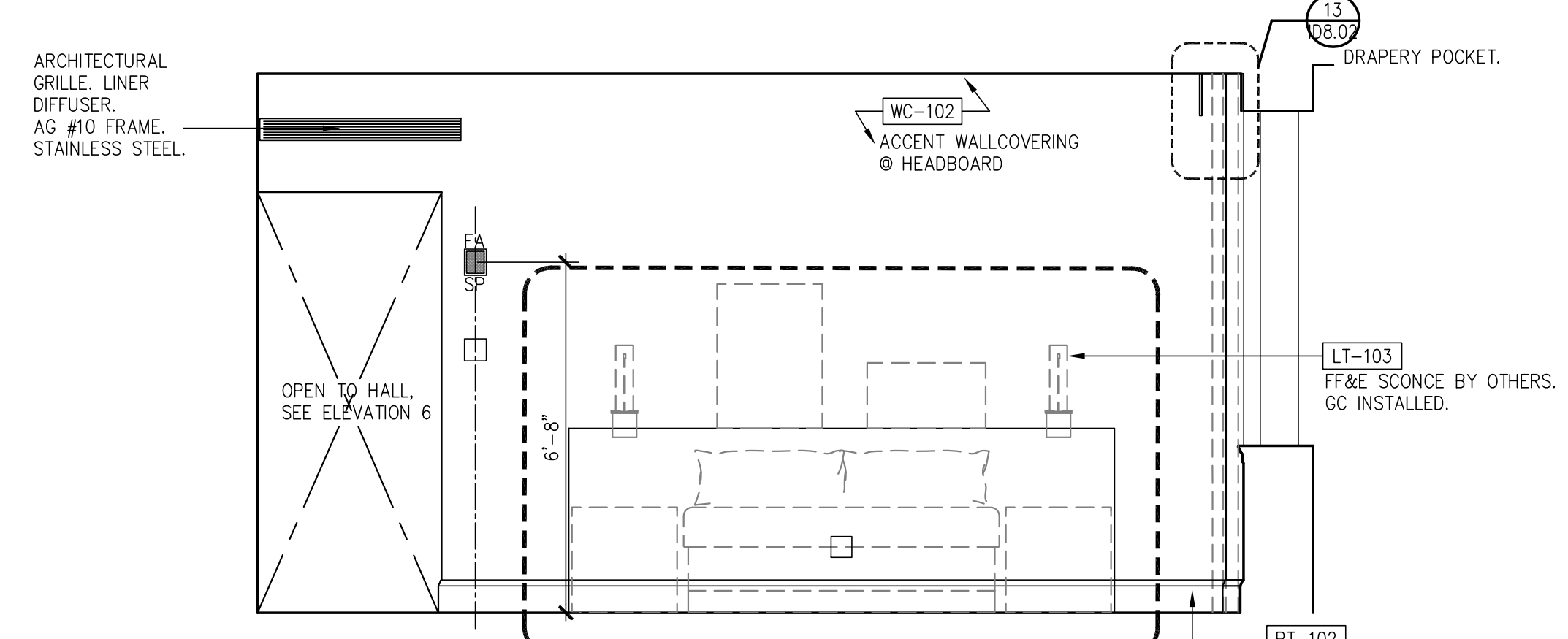
2 BEDROOM ELEVATION
3/8" = 1'-0"



3 BEDROOM ELEVATION
3/8" = 1'-0"



2 BEDROOM ELEVATION
3/8" = 1'-0"



1 BEDROOM ELEVATION
3/8" = 1'-0"