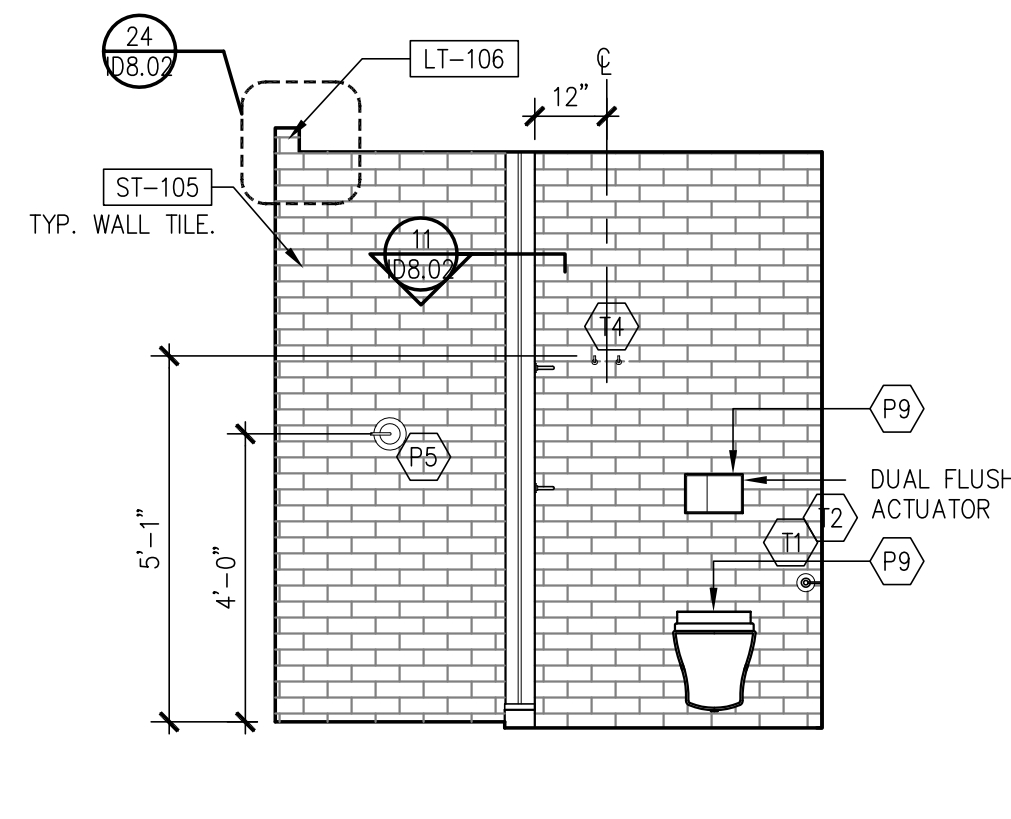
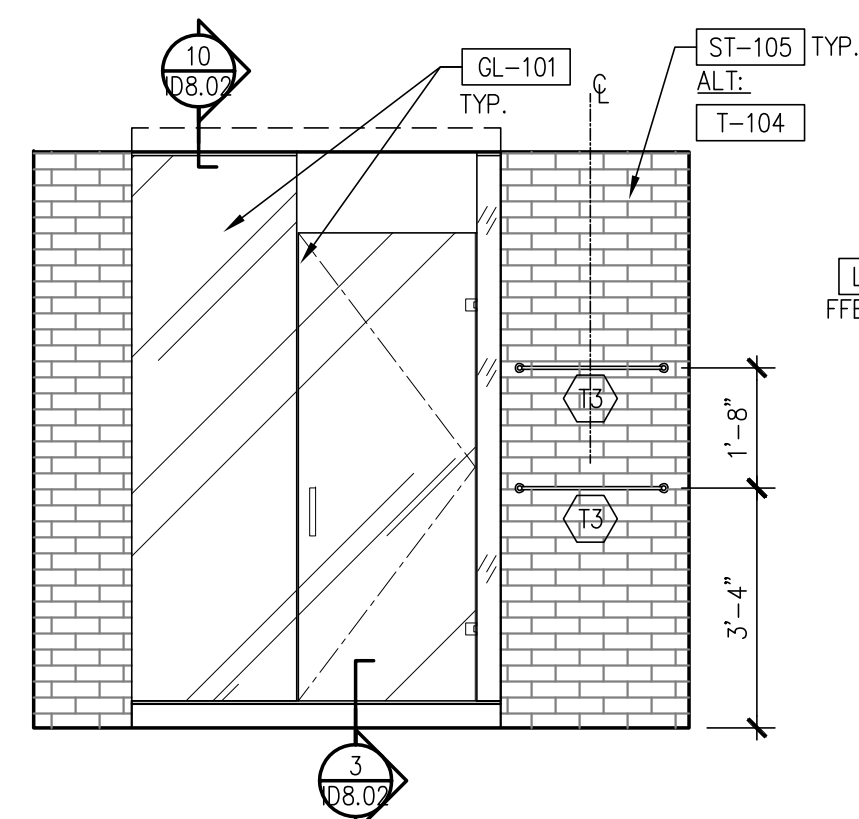


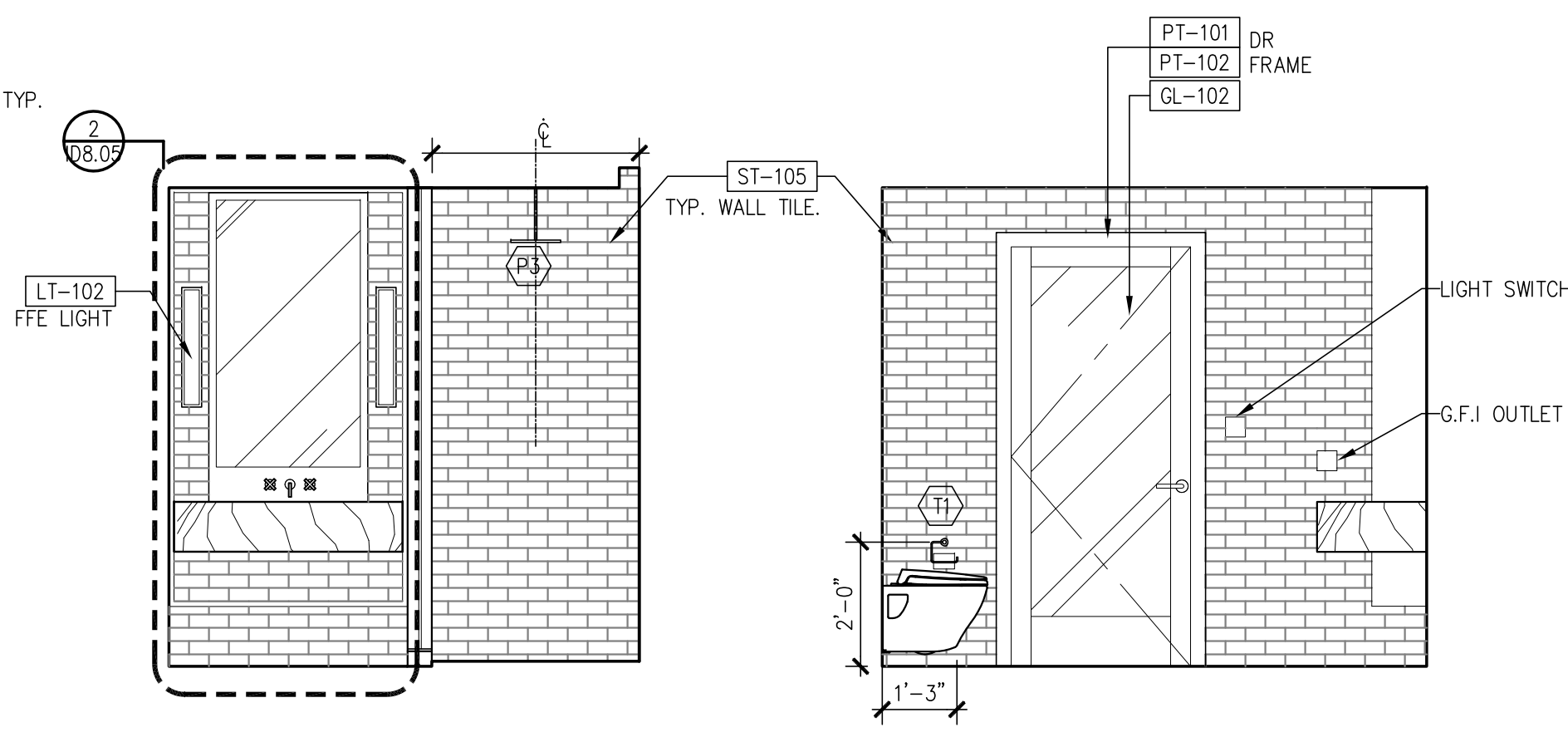
9 | BATHROOM ELEVATION  
3/8" = 1'-0"



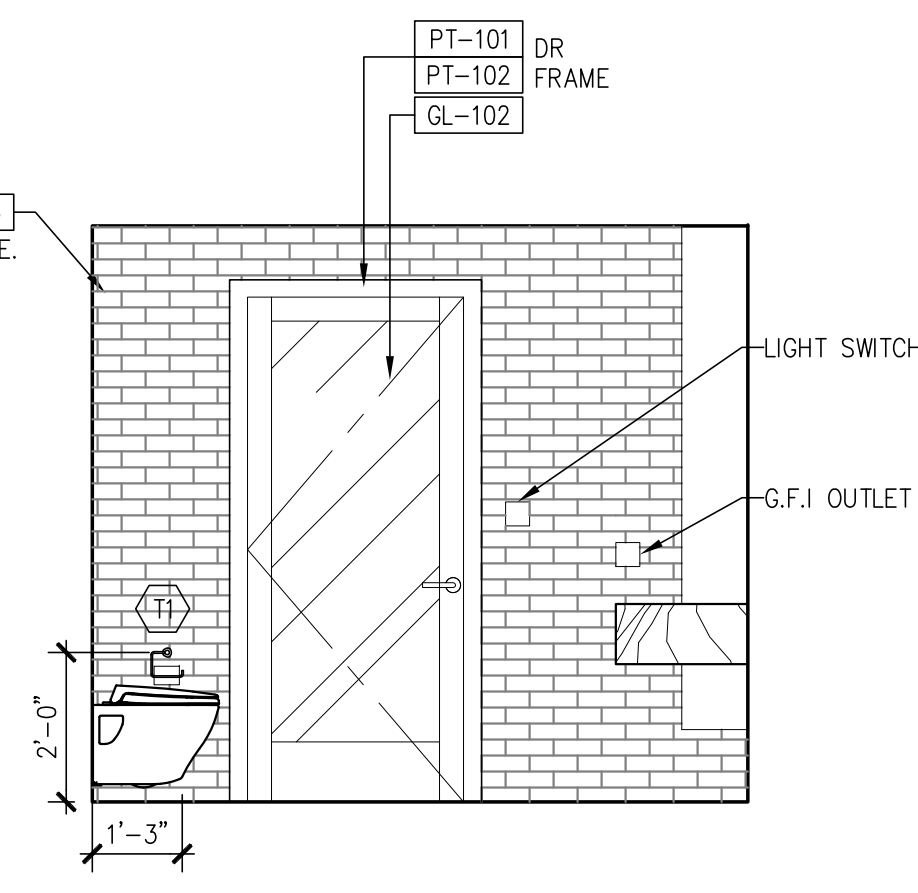
8 | BATHROOM ELEVATION  
3/8" = 1'-0"



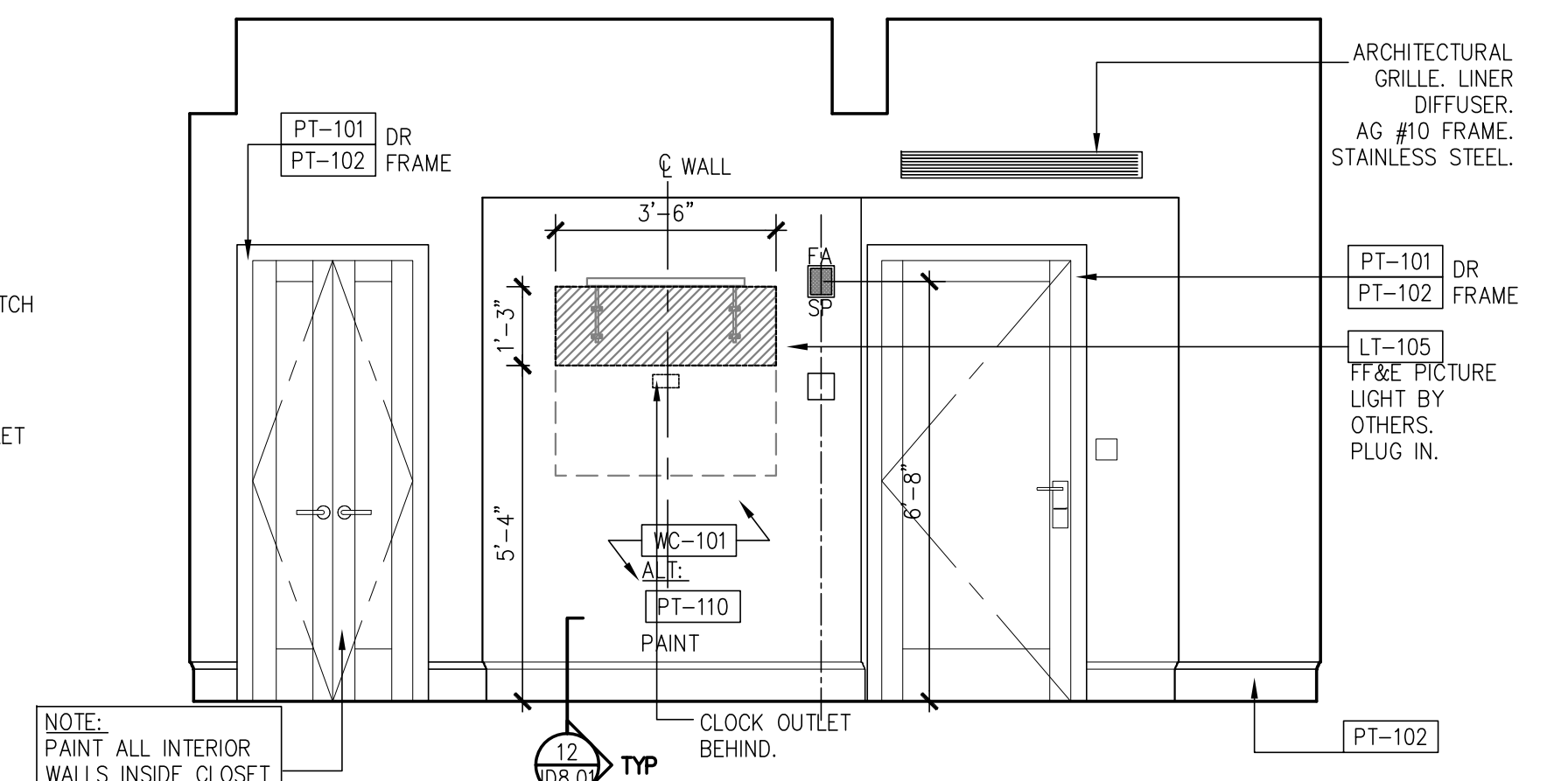
7 | BATHROOM ELEVATION  
3/8" = 1'-0"



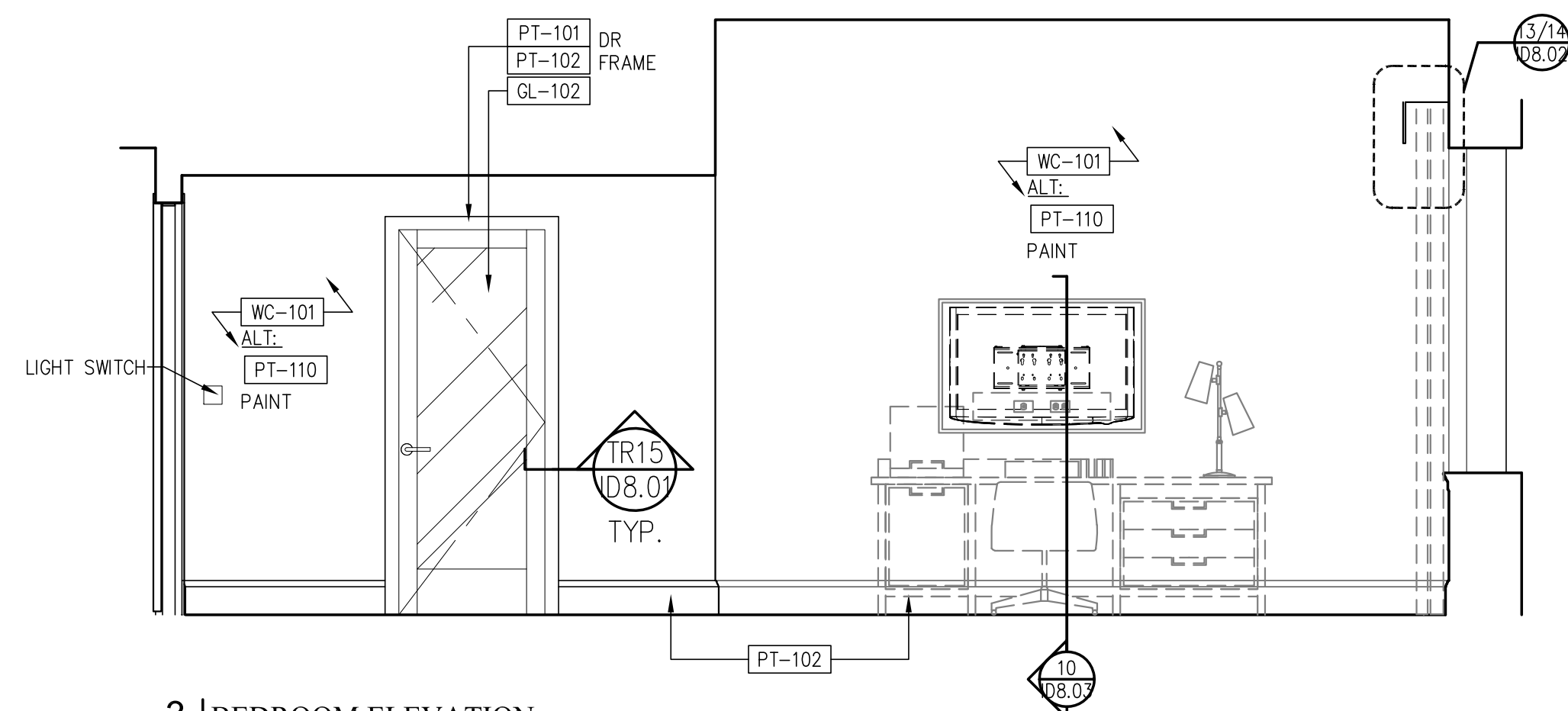
6 | BATHROOM ELEVATION  
3/8" = 1'-0"



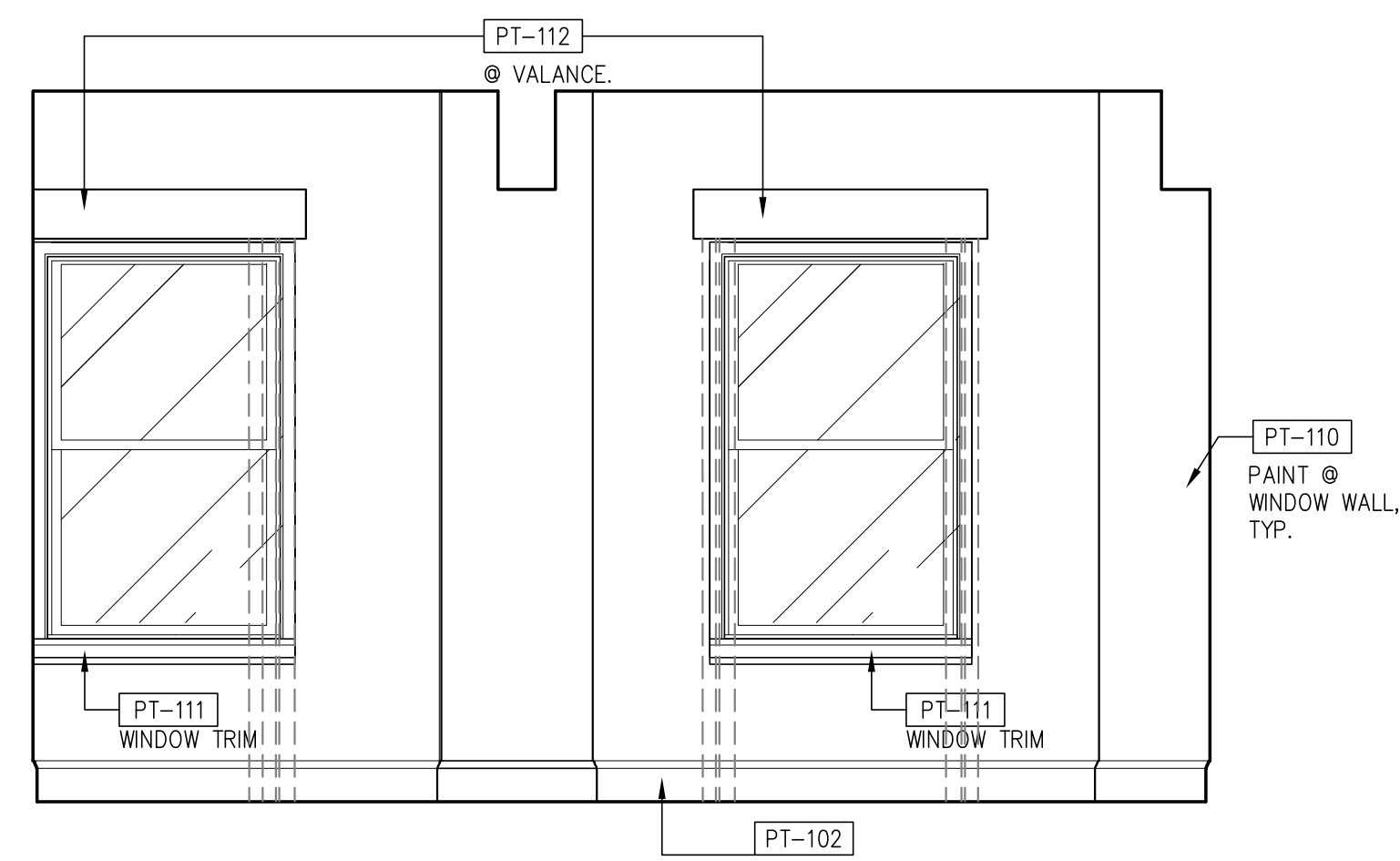
5 | BATHROOM ELEVATION  
3/8" = 1'-0"



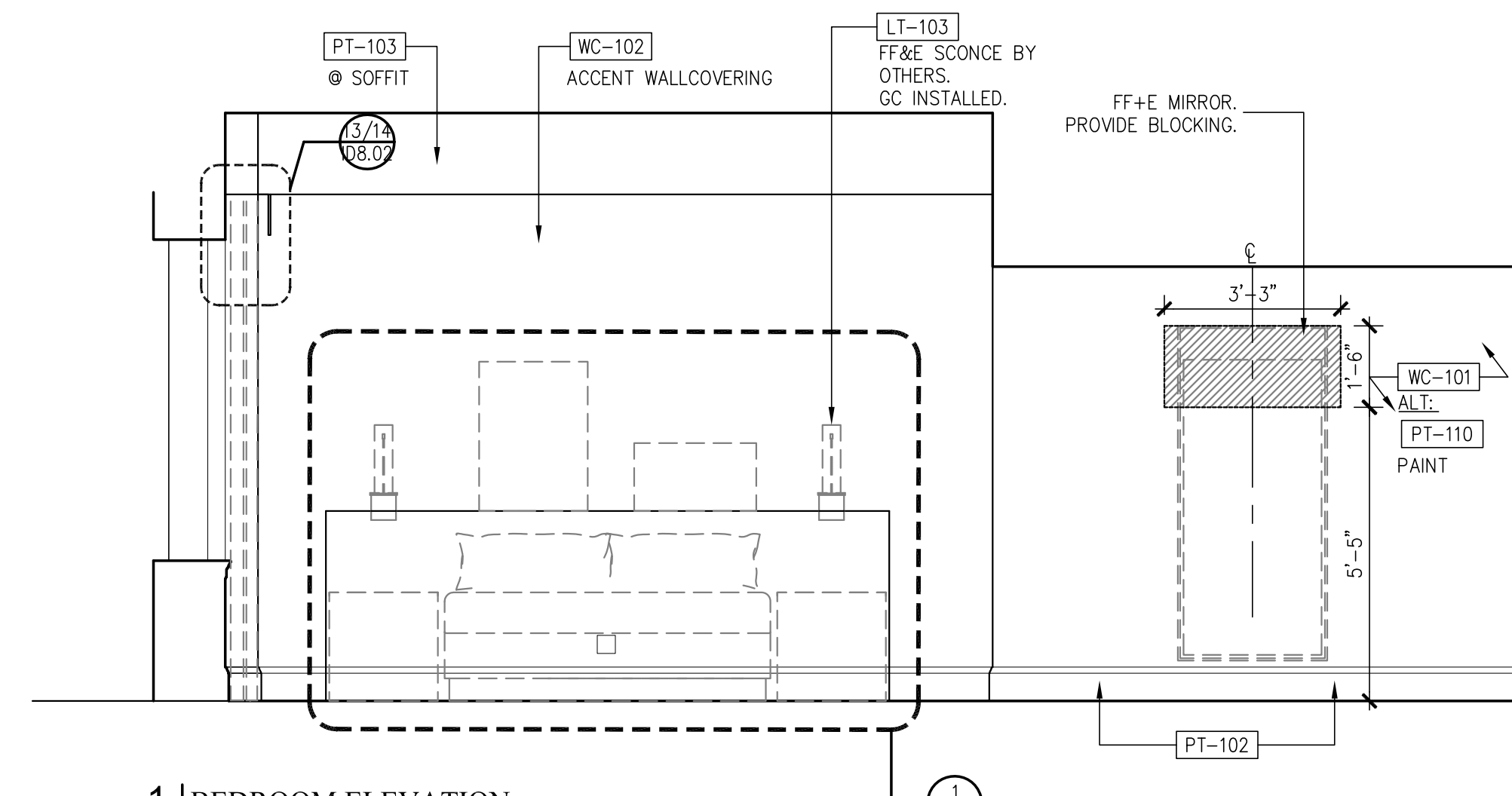
4 | BEDROOM ELEVATION  
3/8" = 1'-0"



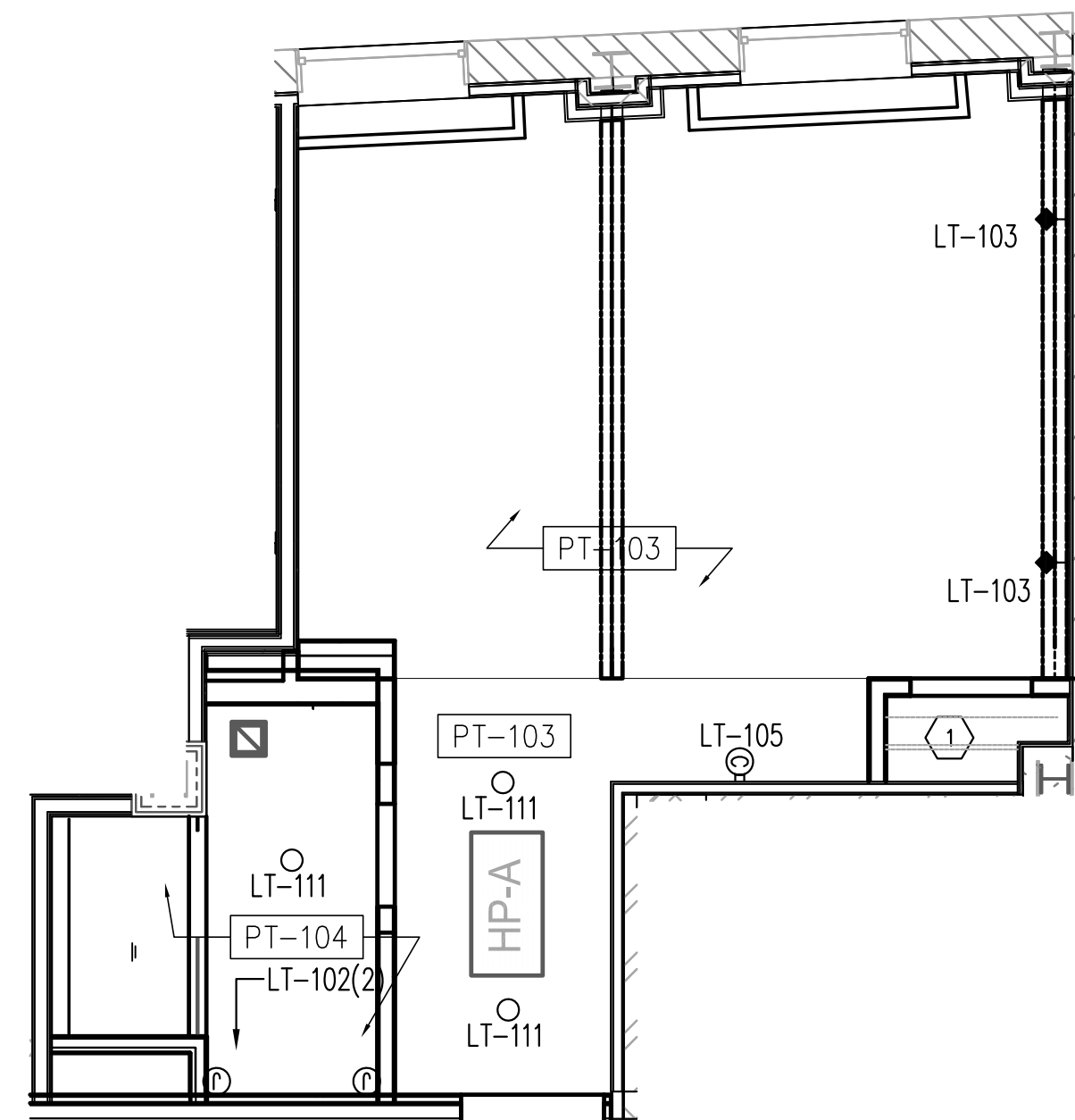
3 | BEDROOM ELEVATION  
3/8" = 1'-0"



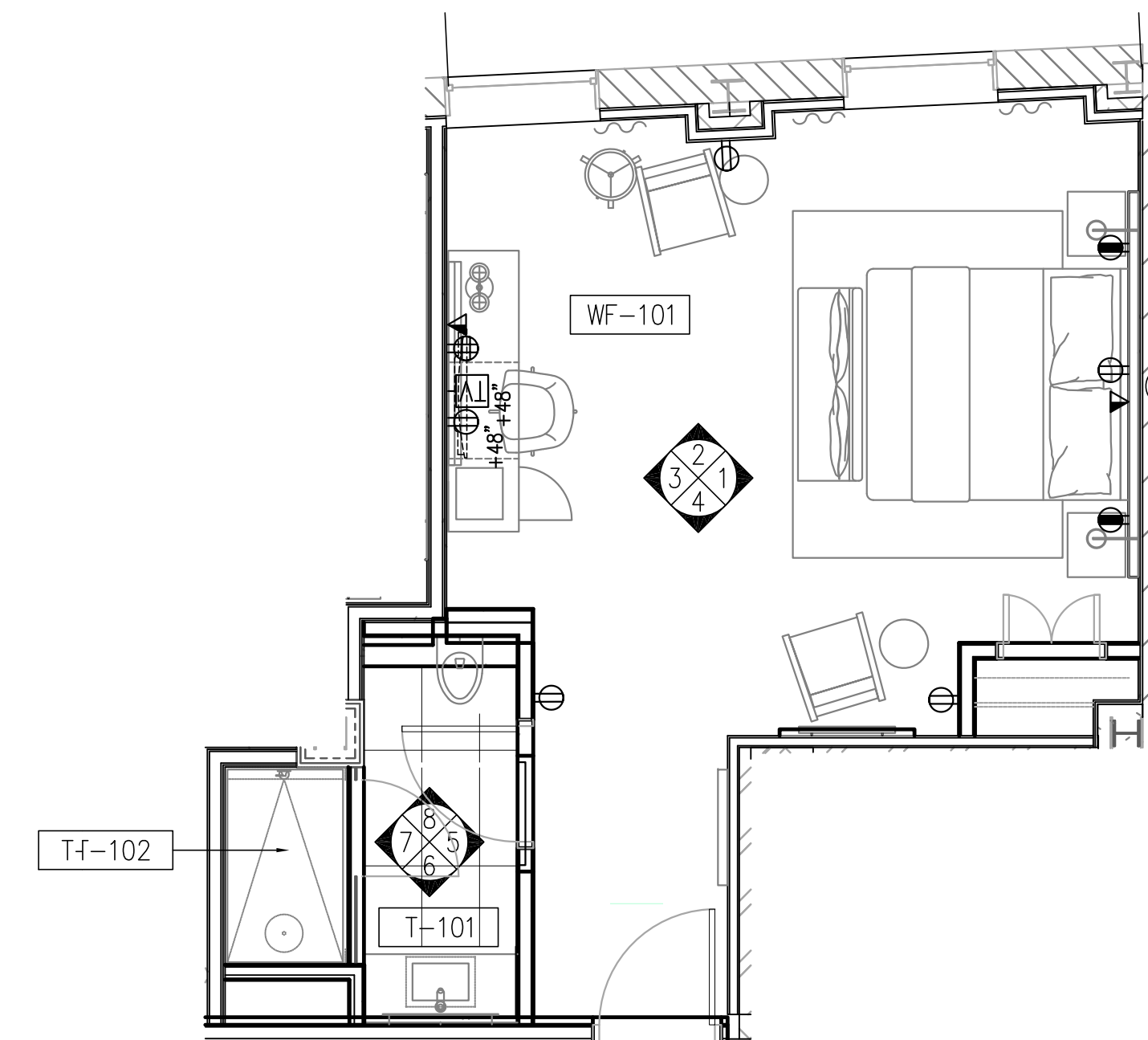
2 | BEDROOM ELEVATION  
3/8" = 1'-0"



1 | BEDROOM ELEVATION  
3/8" = 1'-0"



21 | ROOM TYPE L REFLECTED CEILING PLAN  
1/4" = 1'-0"



20 | ROOM TYPE L FLOOR PLAN  
1/4" = 1'-0"

Prepared For: **119 Development, LLC**  
P.O. Box 7468  
Portland, ME 04112

Consultant: **STONEHILL & TAYLOR ARCHITECTS AND PLANNERS**  
31 W. 27th Street New York, NY 10001  
(212) 226-8898 Fax (212) 941-1874

Architect: **ARCHETYPE architects**  
48 Union Wharf Portland, Maine 04101  
(207) 772-6022 Fax (207) 772-4056

Project: **Press Hotel**  
119 Exchange St.  
Portland, ME 04101

Revisions:  
1 13-07-01 30% Marriott Submission  
2 13-09-09 60% Marriott Sub. & Pric.  
3 13-10-14 Issue for Bid & Marriott Rev.

Date: **06 SEPT, 2013**  
Scale: **RM TYPE L PLANS & ELEVATIONS**

**ID-7.23**