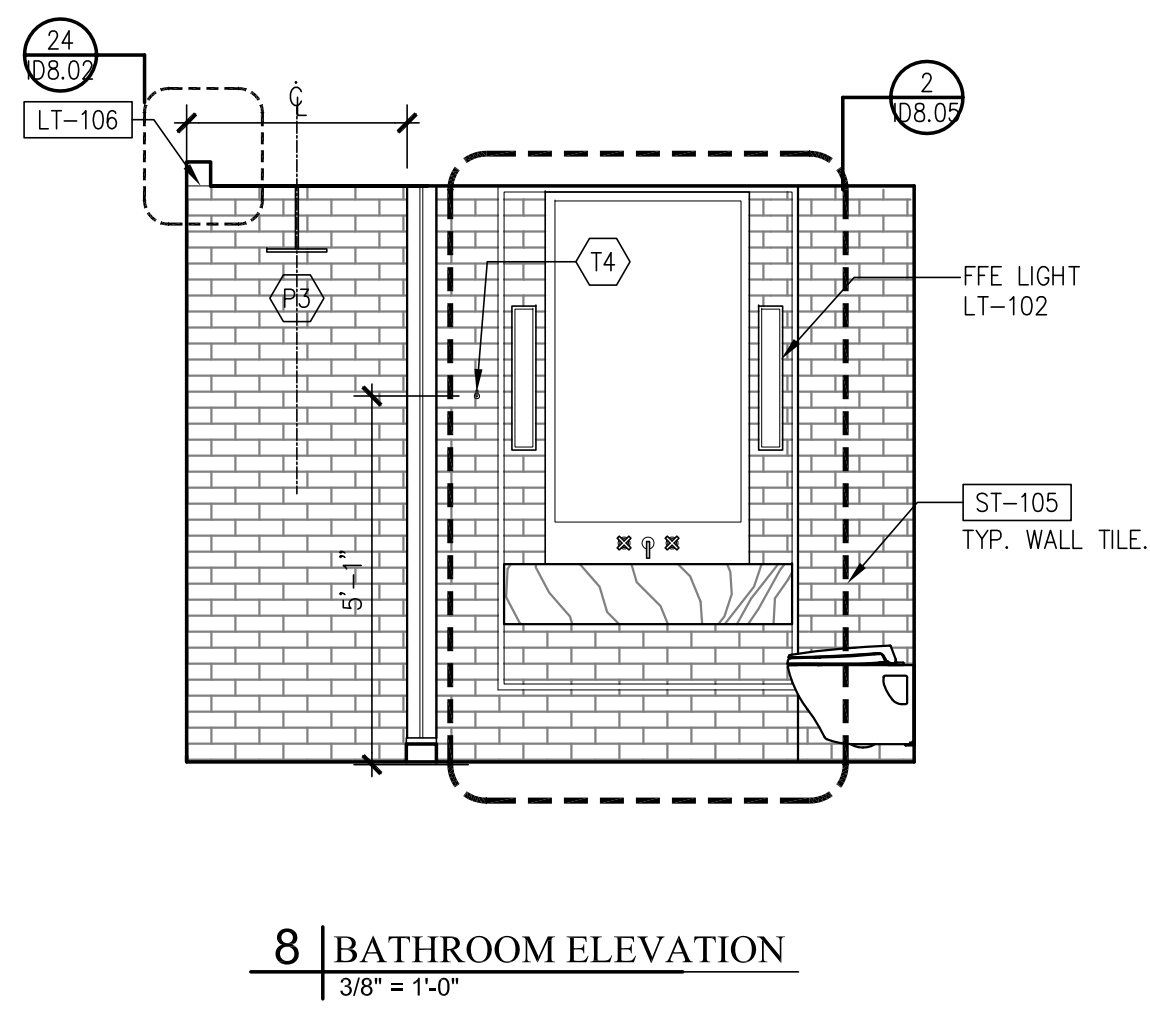
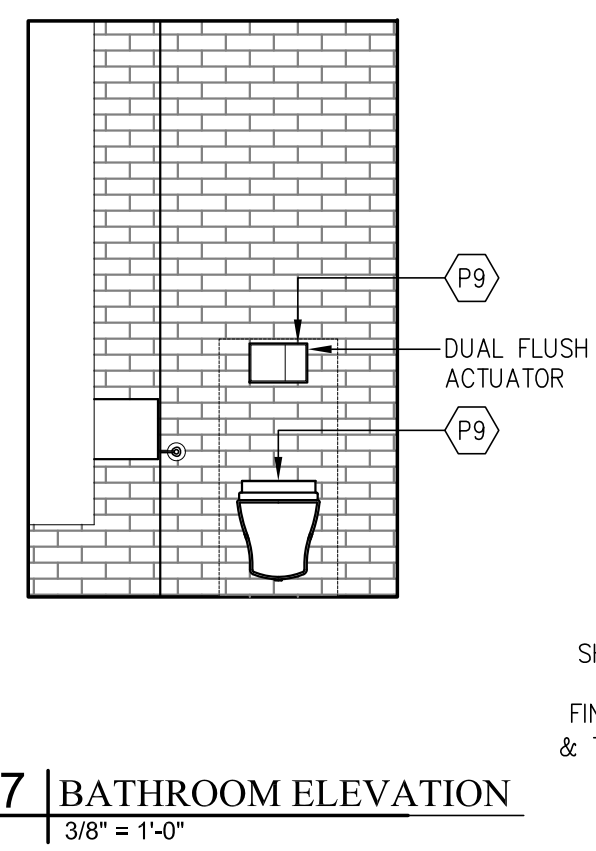


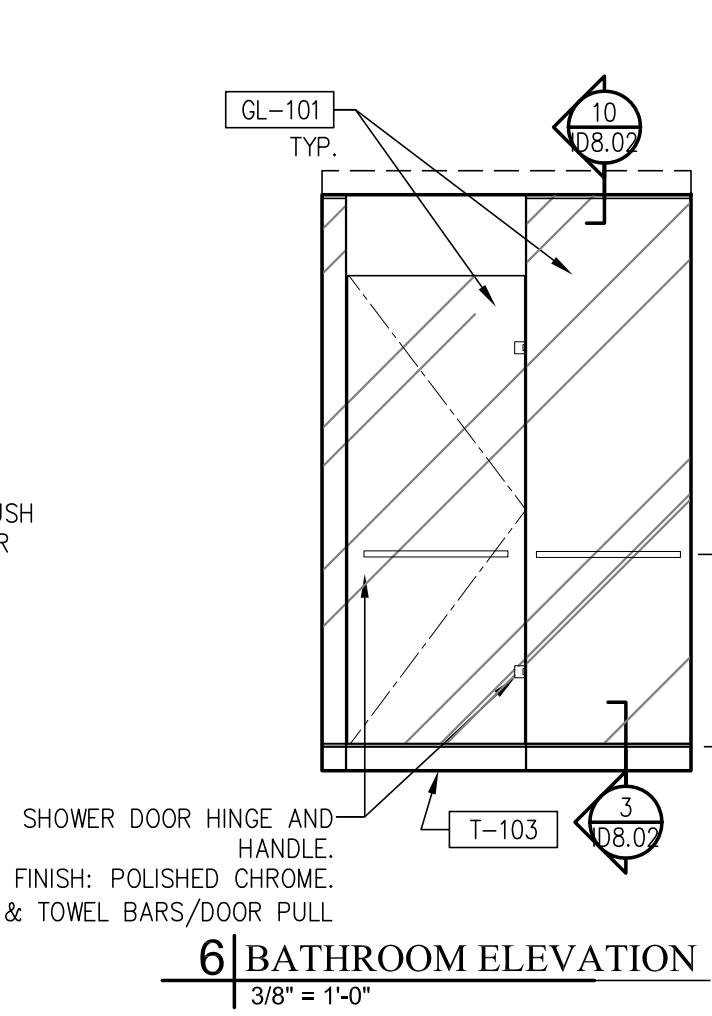
9 BATHROOM ELEVATION  
3/8" = 1'-0"



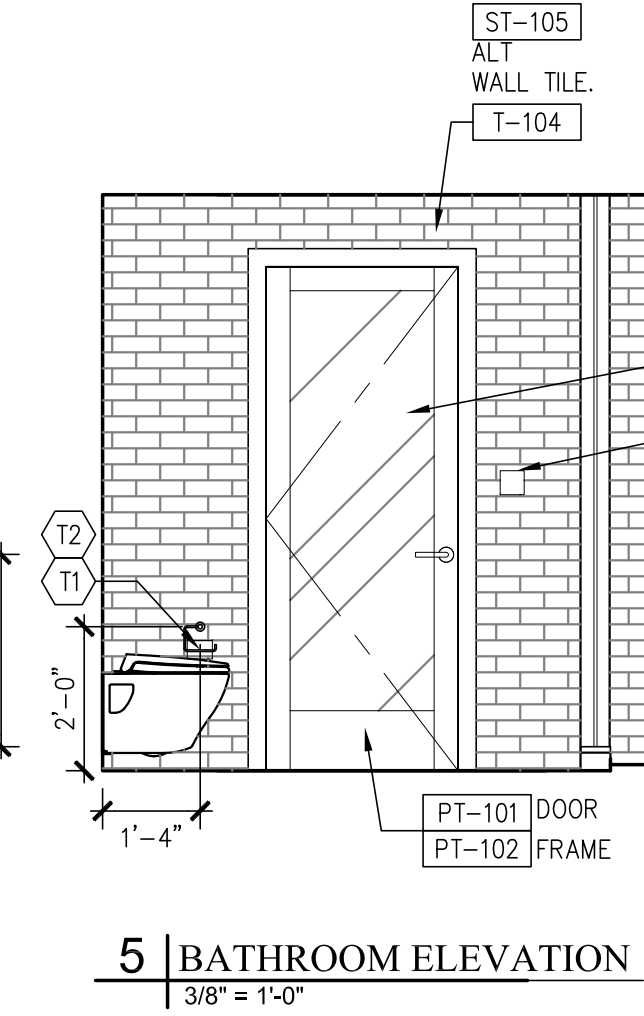
8 BATHROOM ELEVATION  
3/8" = 1'-0"



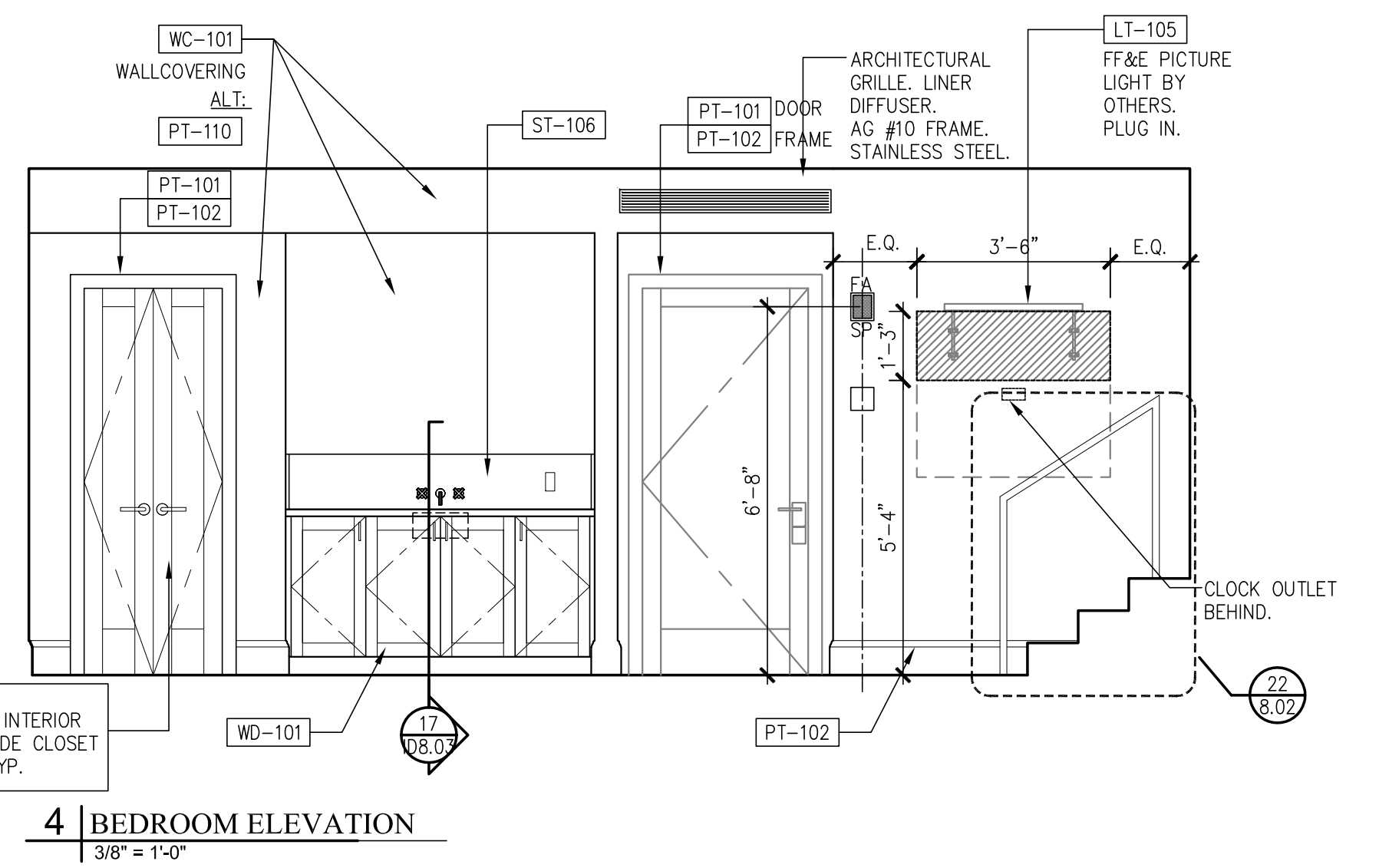
7 BATHROOM ELEVATION  
3/8" = 1'-0"



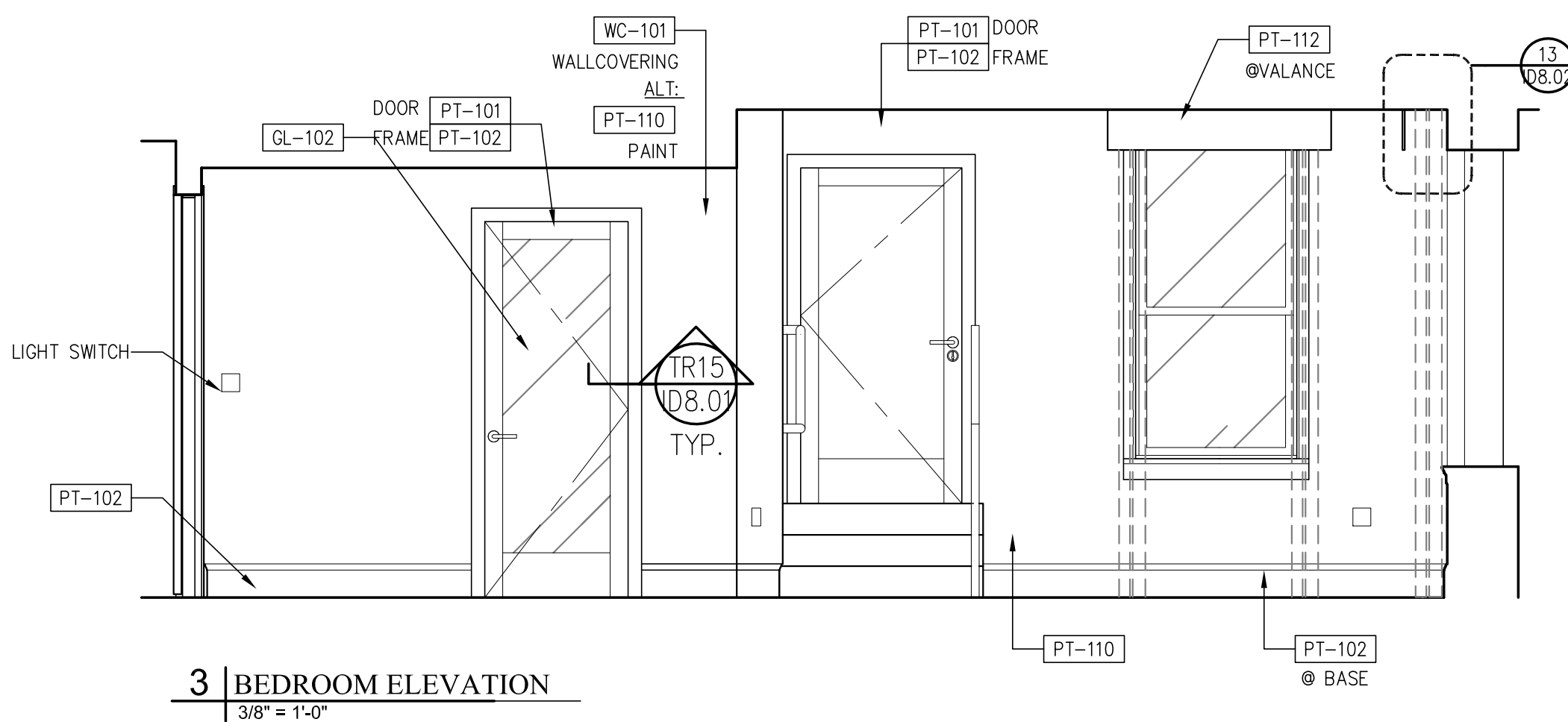
6 BATHROOM ELEVATION  
3/8" = 1'-0"



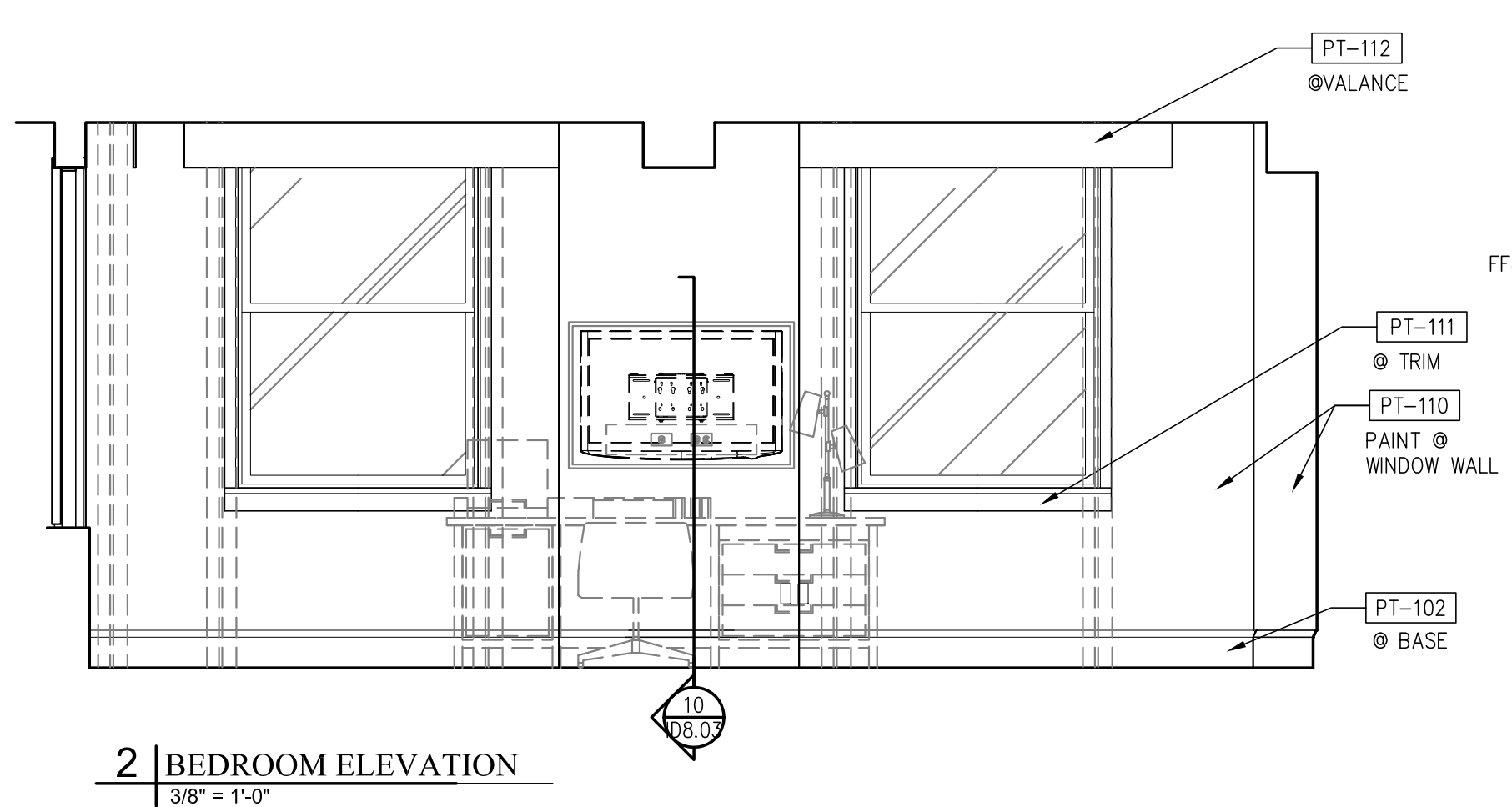
5 BATHROOM ELEVATION  
3/8" = 1'-0"



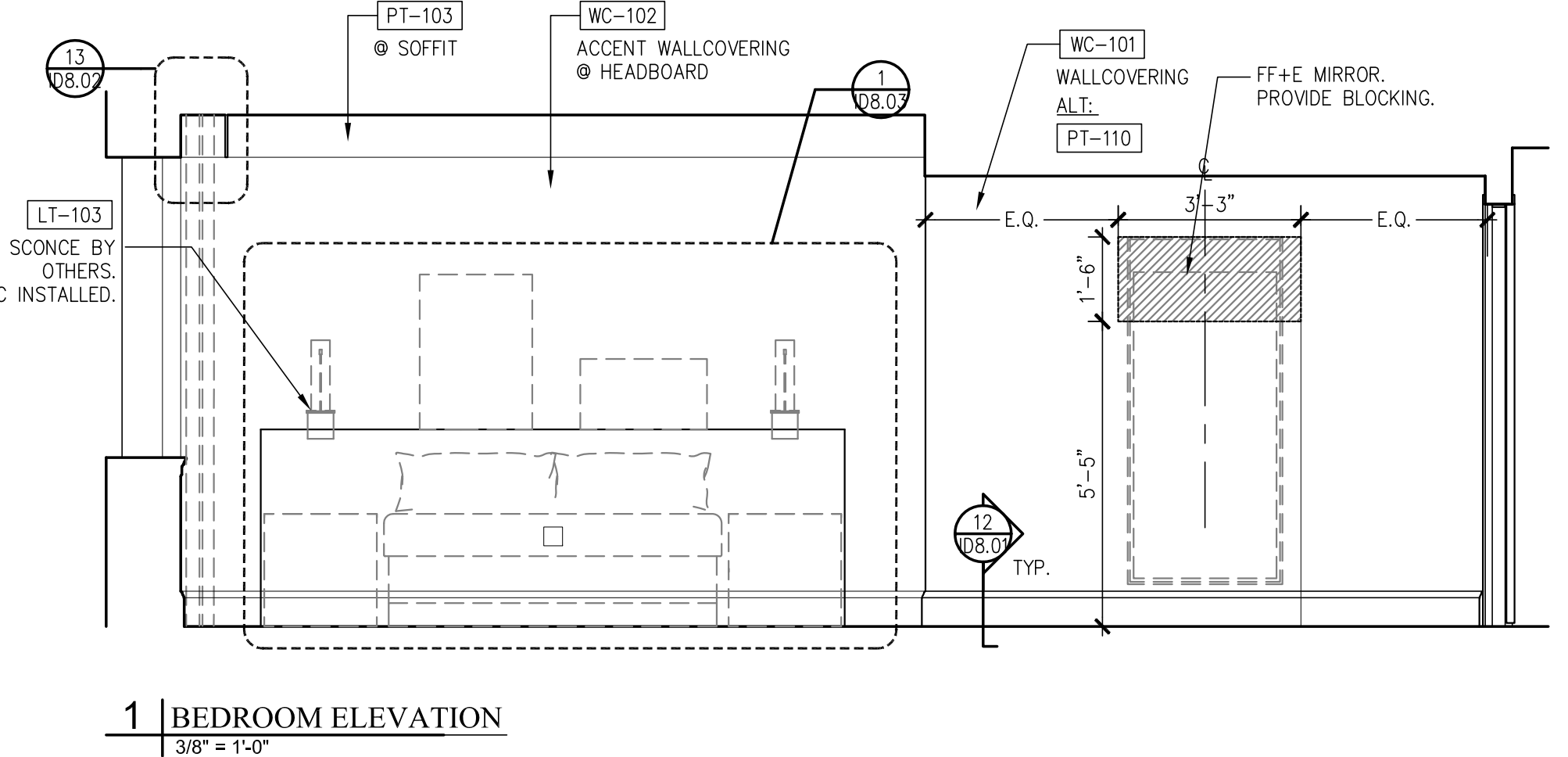
4 BEDROOM ELEVATION  
3/8" = 1'-0"



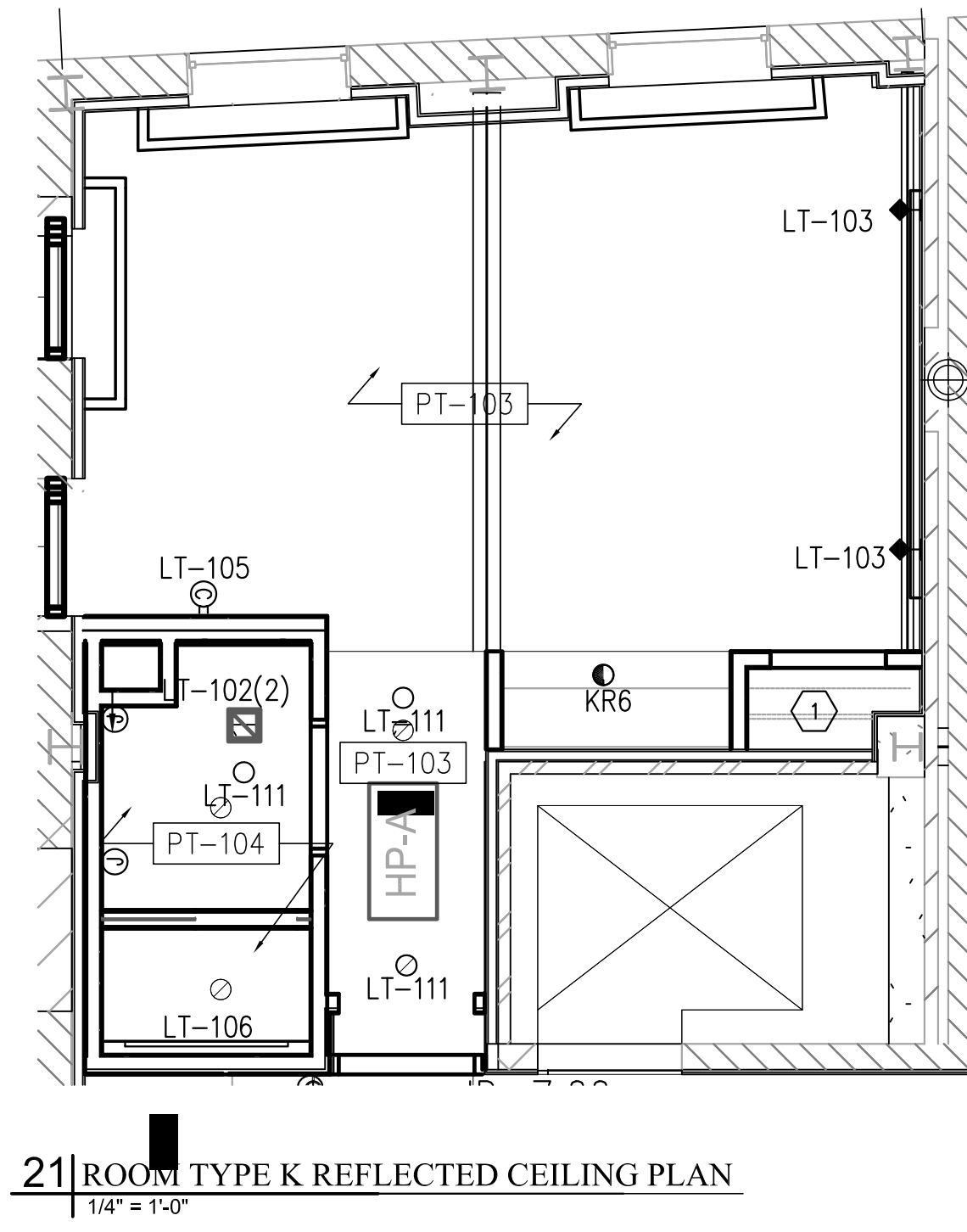
3 BEDROOM ELEVATION  
3/8" = 1'-0"



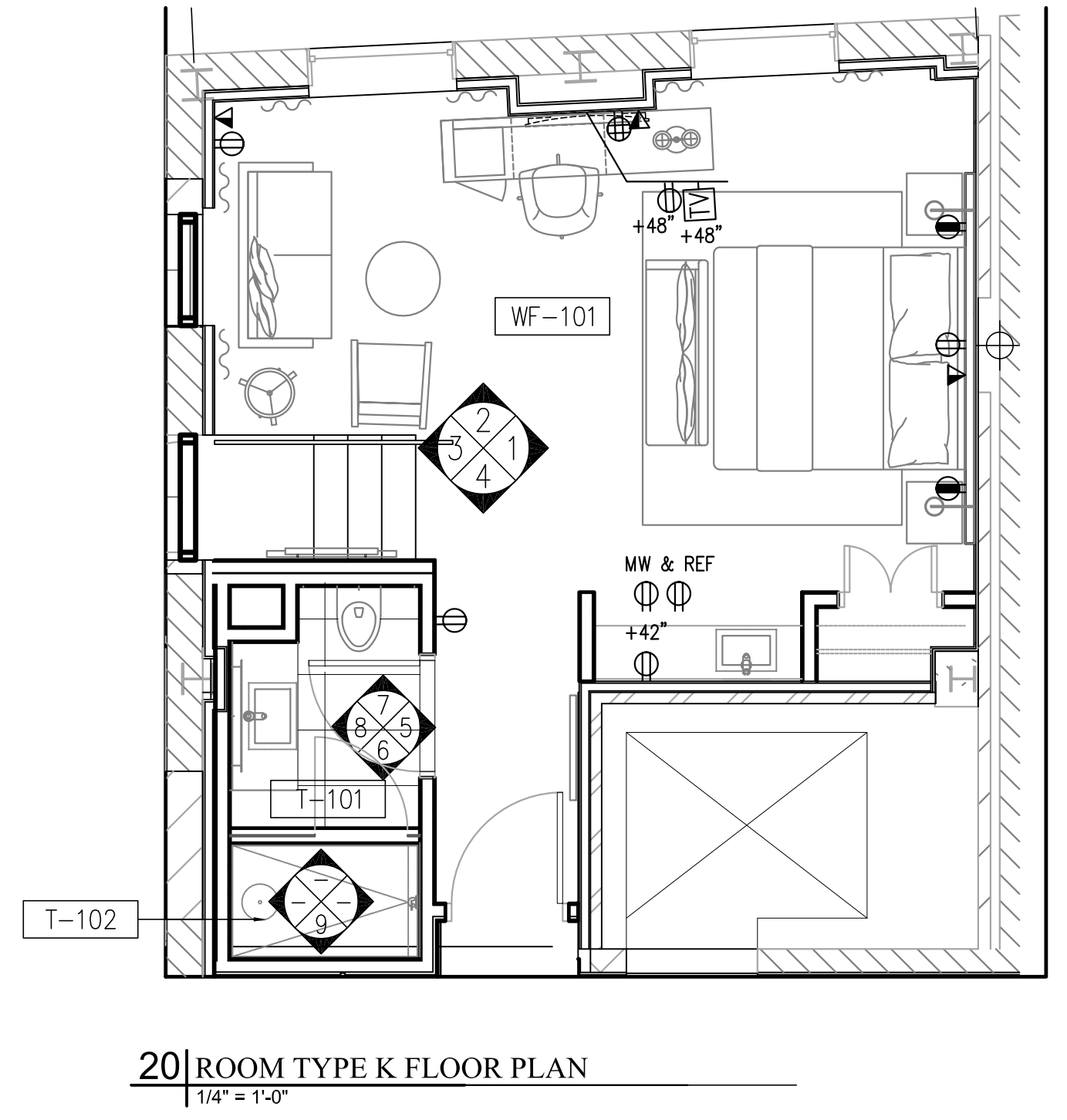
2 BEDROOM ELEVATION  
3/8" = 1'-0"



1 BEDROOM ELEVATION  
3/8" = 1'-0"



21 ROOM TYPE K REFLECTED CEILING PLAN  
1/4" = 1'-0"



20 ROOM TYPE K FLOOR PLAN  
1/4" = 1'-0"

Prepared For: <b>119 Development, LLC</b> P.O. Box 7468 Portland, ME 04112	Consultant: <b>STONEHILL &amp; TAYLOR</b> ARCHITECTS AND PLANNERS 31 W. 27th Street New York, NY 10001 (212) 226-8898 Fax (212) 941-1874	Architect: <b>ARCHETYPE</b> architects 48 Union Wharf Portland, Maine 04101 (207) 772-6022 Fax (207) 772-4056	Project: <b>Press Hotel</b> 119 Exchange St. Portland, ME 04101	Revisions: 1 03-07-01 30% Marriott Submission 2 03-09-09 60% Marriott Sub. & Pric. 3 03-10-14 Issue for Bid & Marriott Rev.	Date: <b>06 SEPT, 2013</b>	Scale: <b>RM TYPE K          PLANS &amp; ELEVATIONS</b>
				ID-7.22		