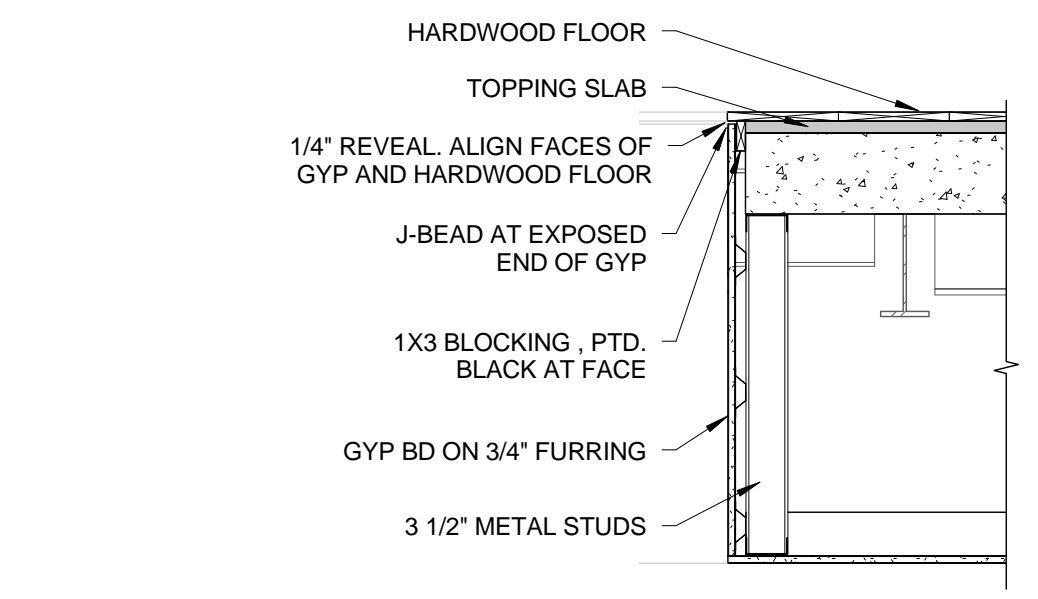
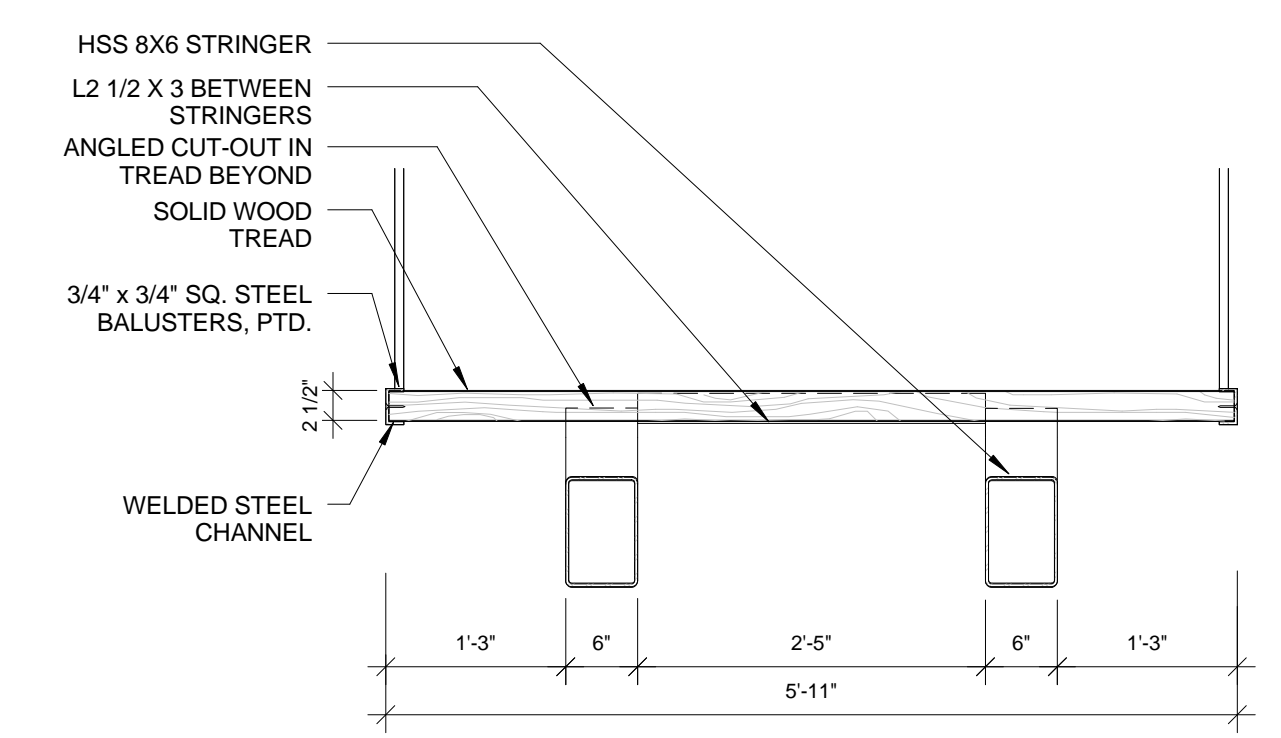


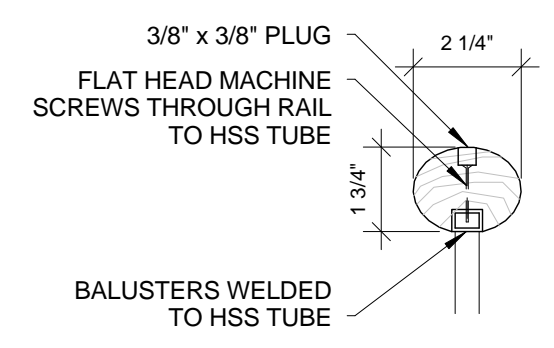
**8 MONUMENTAL STAIR DETAIL**  
1 1/2" = 1'-0"



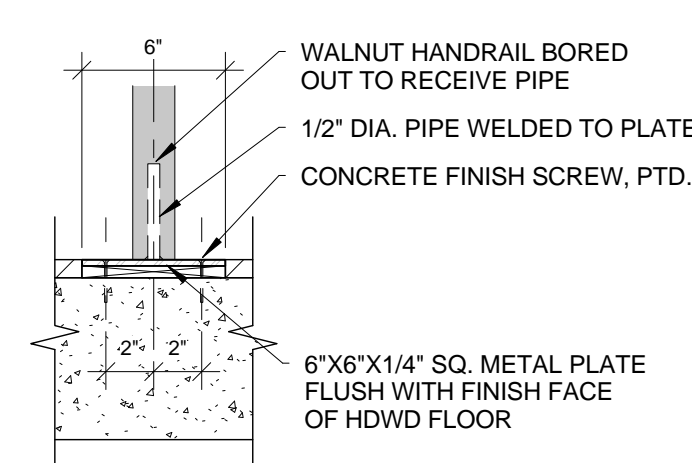
**4 SOFFIT SECTION AT MONUMENTAL STAIR**  
3/4" = 1'-0"



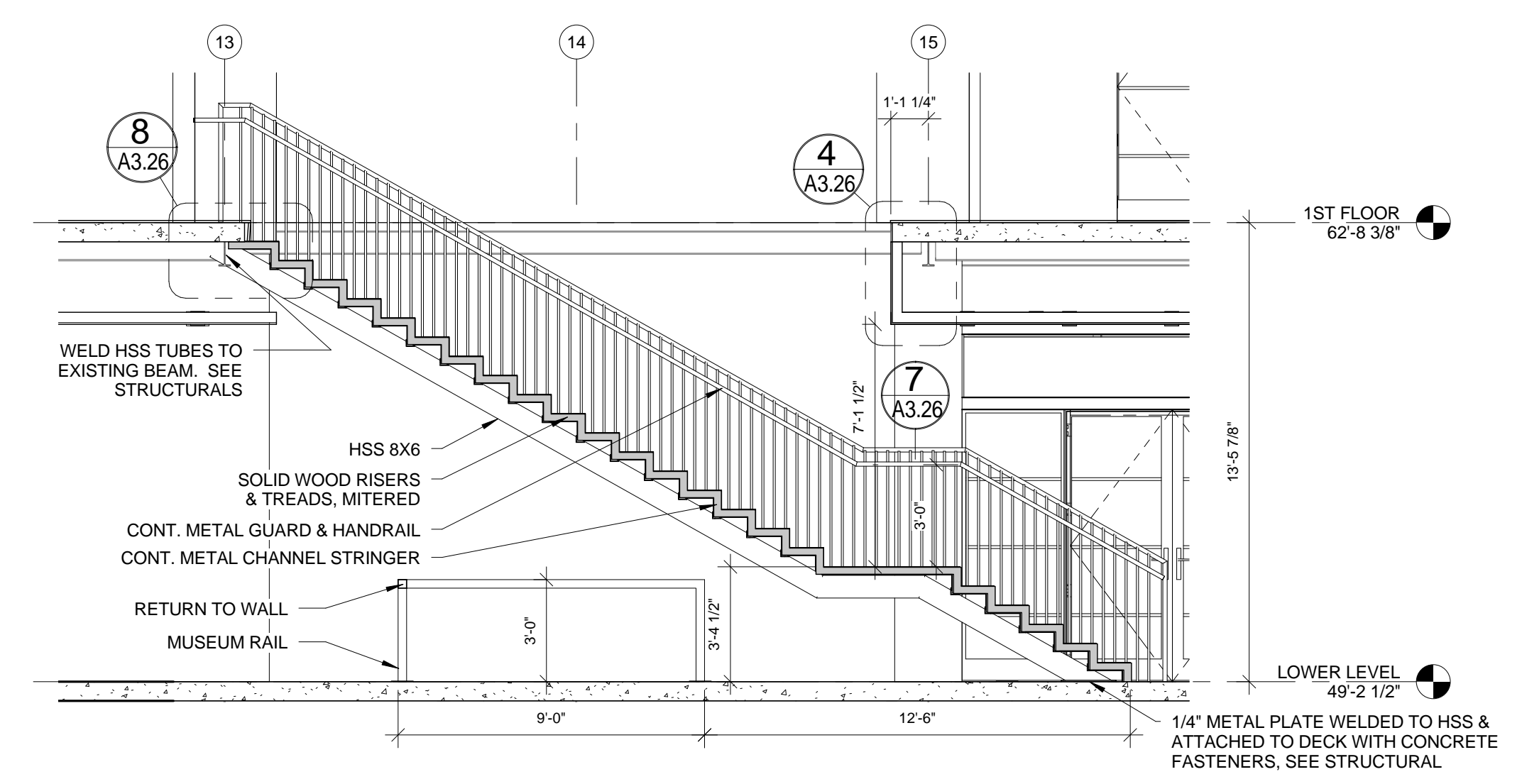
**3 MONUMENTAL STAIR - TYPICAL TREAD ELEV.**  
3/4" = 1'-0"



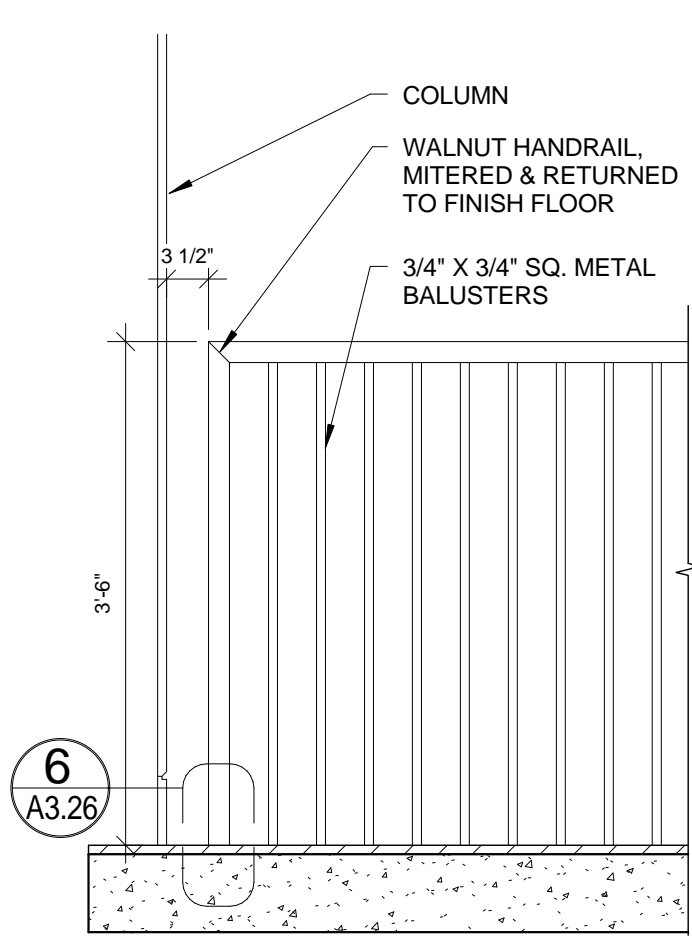
**7 MONUMENTAL HANDRAIL SECTION**  
3" = 1'-0"



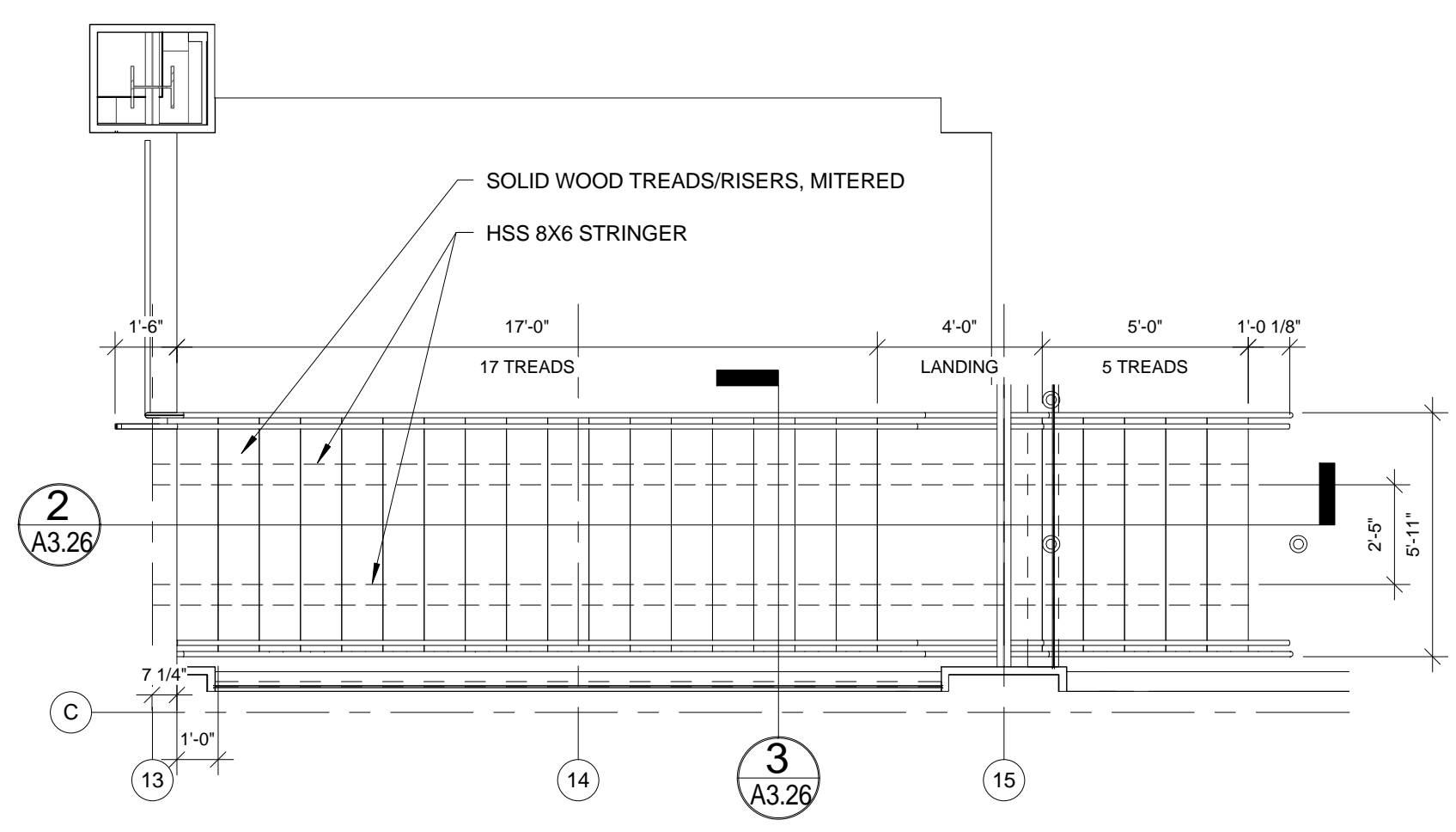
**6 HANDRAIL PLATE DETAIL**  
1 1/2" = 1'-0"



**2 SECTION AT MONUMENTAL STAIR**  
1/4" = 1'-0"



**5 HANDRAIL RETURN DETAIL**  
3/4" = 1'-0"



**1 MONUMENTAL STAIR PLAN**  
1/4" = 1'-0"

Prepared For:  
**119 Development, LLC**  
P.O. Box 7486  
Portland, ME 04112

Consultant:  
**ARCHETYPE architects**  
48 Union Wharf Portland, Maine 04101  
(207) 772-6022 Fax (207) 772-4056

Project:  
**PRESS HOTEL**  
390 CONGRESS STREET  
PORTLAND, ME 04101

Revisions:  
3 13\_10-14 Issue for Bid & Marriott Rev

Date: 14 OCT 13  
Scale: As indicated  
**MONUMENTAL STAIR DETAILS**

**A3.26**