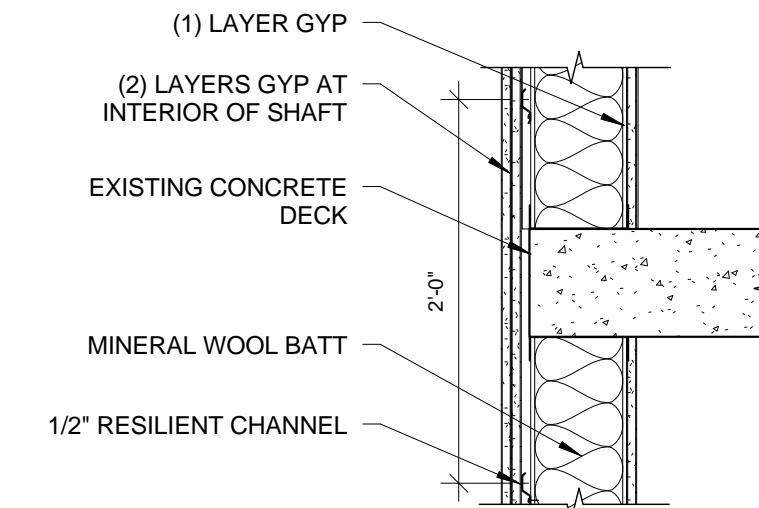


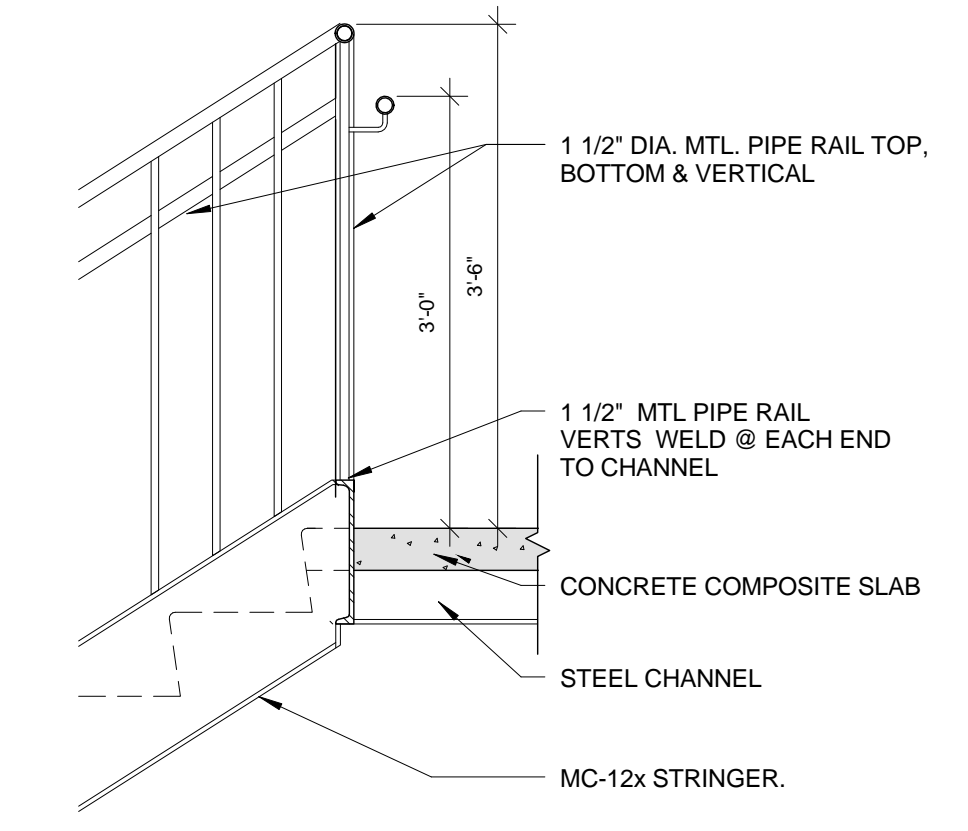
11 ELEVATOR PIT LADDER ELEVATION

1" = 1'-0" 0 3' 6' 1'-0" 2'-0"



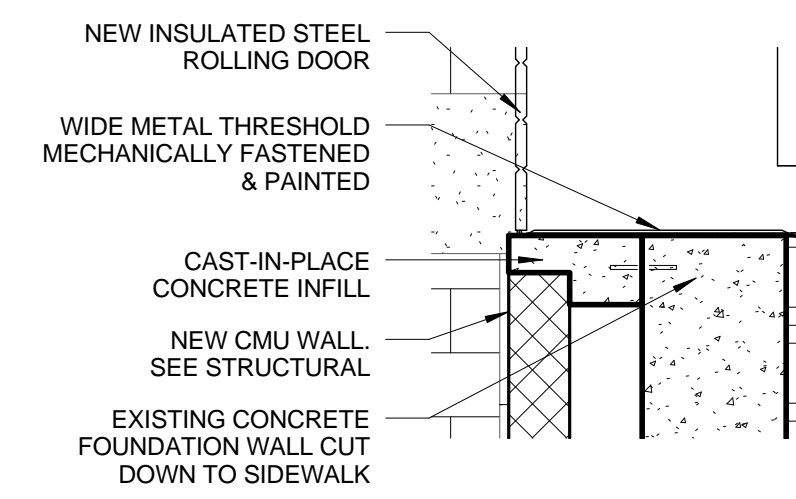
8 STAIR SHAFT WALL DETAIL

1" = 1'-0" 0 3' 6' 1'-0" 2'-0"



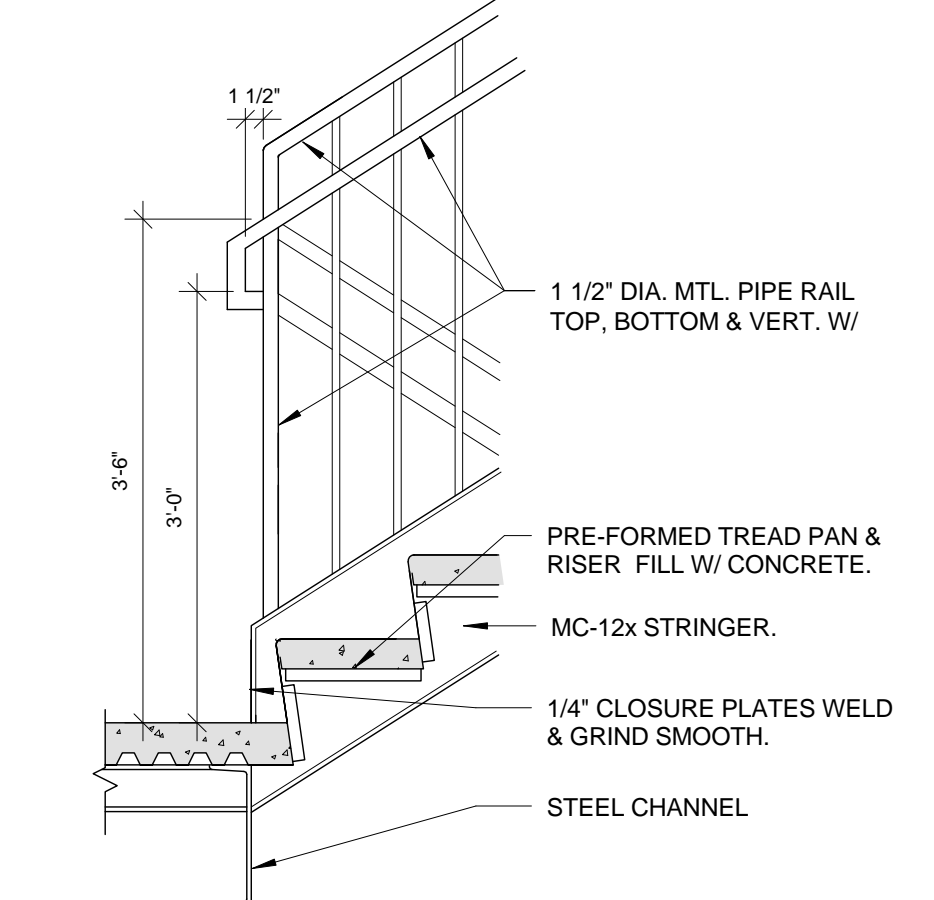
4 STAIR DETAIL - T/O RUN TO DECK

3/4" = 1'-0" 0 6' 1'-0" 2'-0" 4'-0"



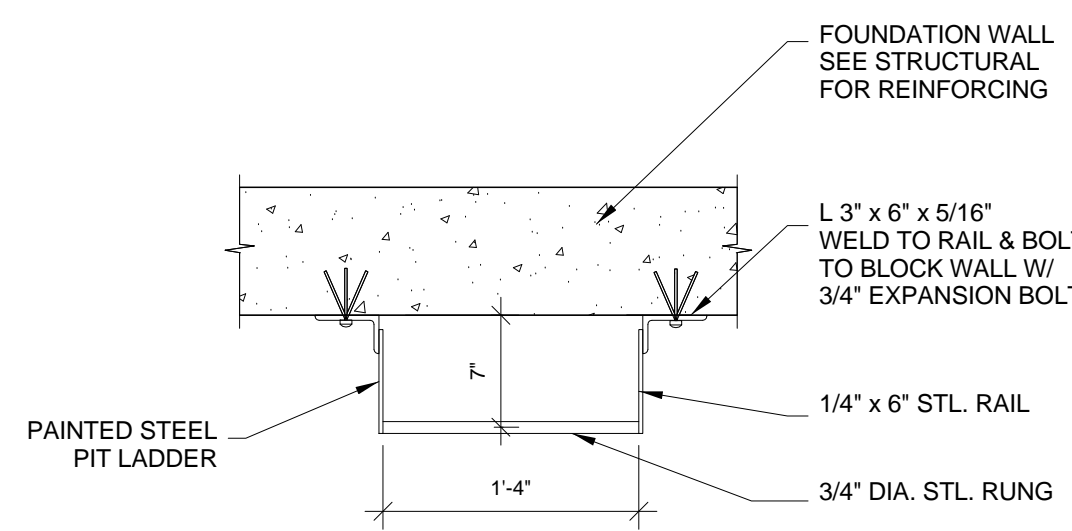
7 SERVICE ELEVATOR THRESHOLD DETAIL

1/2" = 1'-0"



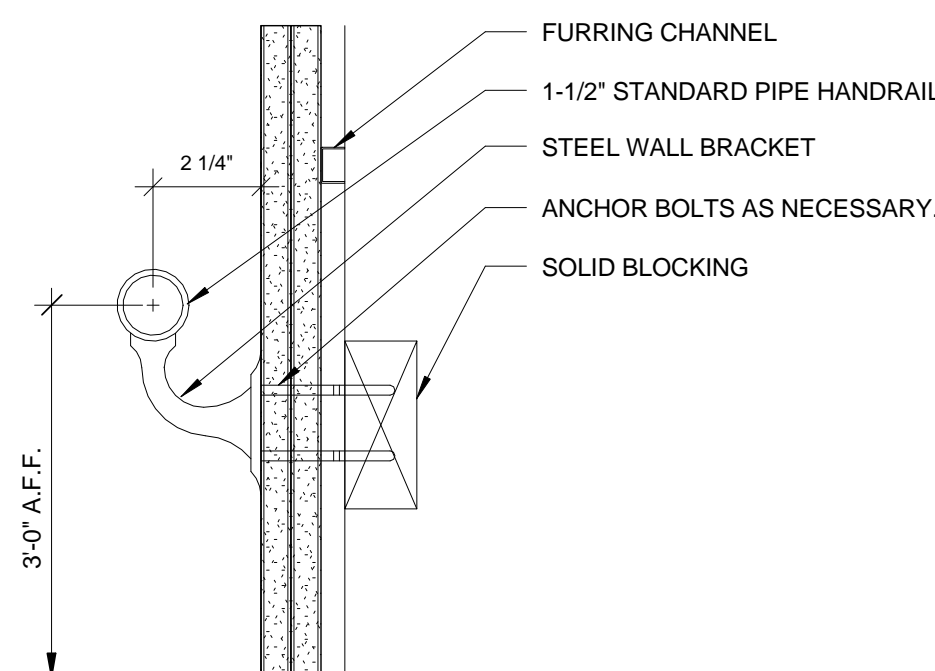
3 STAIR DETAIL - B/O RUN TO LANDING

3/4" = 1'-0" 0 6' 1'-0" 2'-0" 4'-0"



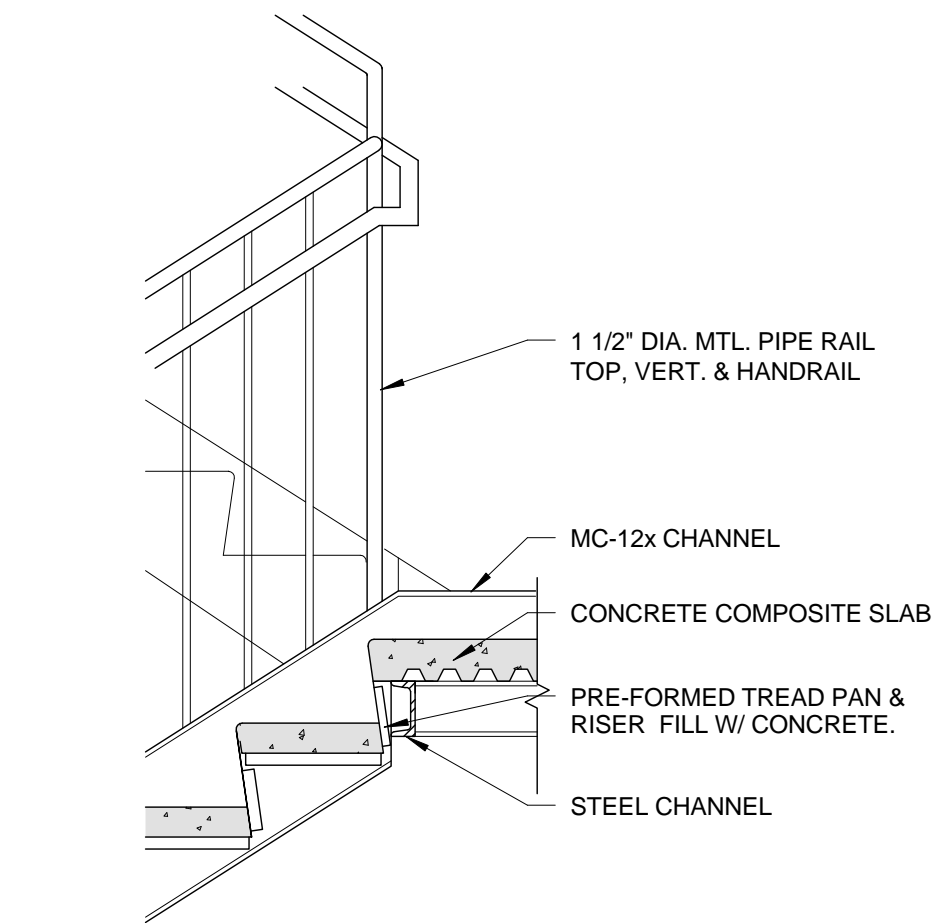
10 ELEVATOR PIT LADDER PLAN

1" = 1'-0" 0 3' 6' 1'-0" 2'-0"



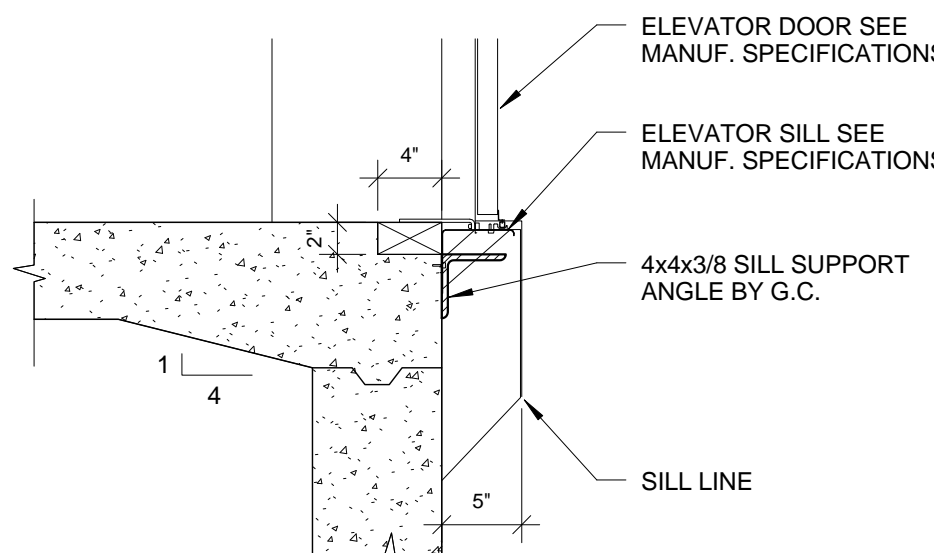
6 METAL HANDRAIL DETAIL - SECTION

3" = 1'-0" 0 1 1/2' 3' 6' 1'-0"



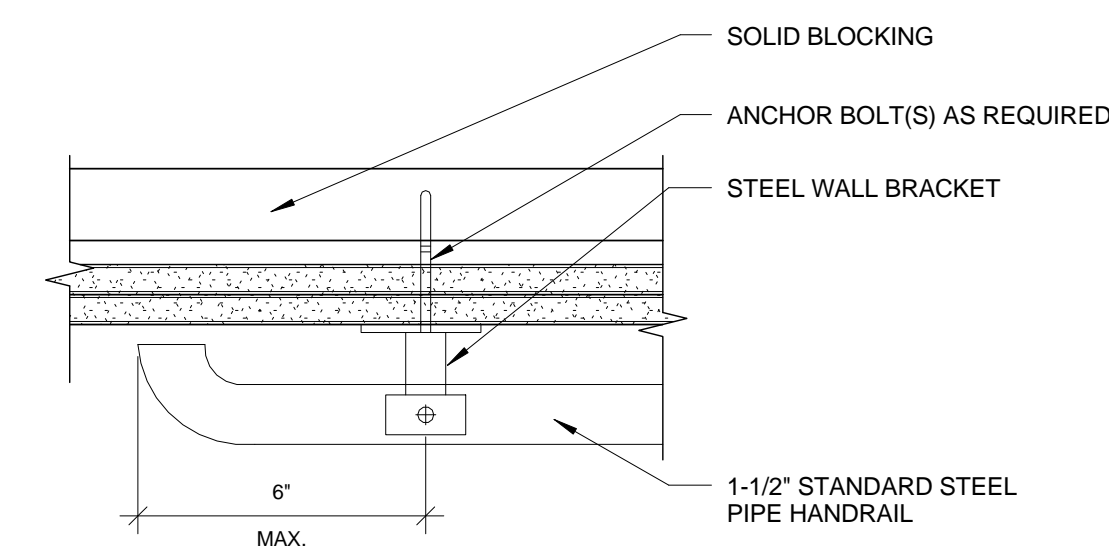
2 STAIR DETAIL - T/O RUN TO LANDING

3/4" = 1'-0" 0 6' 1'-0" 2'-0" 4'-0"



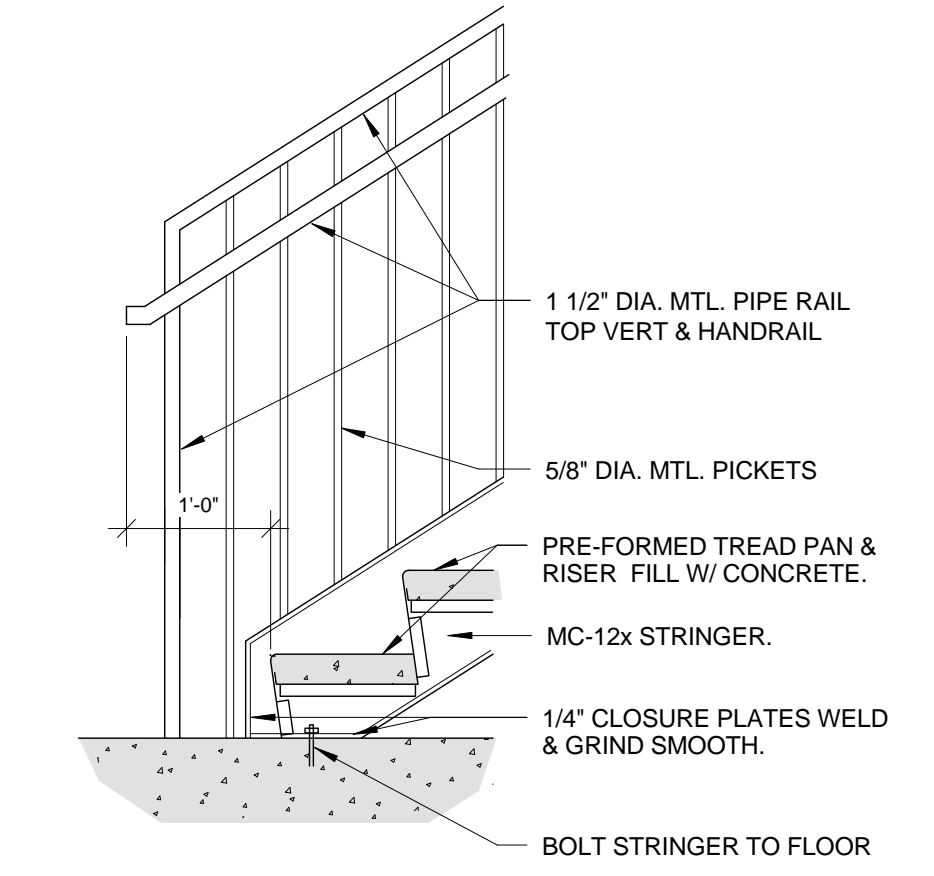
9 ELEVATOR DOOR AT CONCRETE

1" = 1'-0" 0 3' 6' 1'-0" 2'-0"



5 METAL HANDRAIL DETAIL - PLAN

3" = 1'-0" 0 1 1/2' 3' 6' 1'-0"



1 STAIR DETAIL - B/O RUN TO DECK

3/4" = 1'-0" 0 6' 1'-0" 2'-0" 4'-0"

Prepared For:
119 Development, LLC
P.O. Box 7486
Portland, ME 04112

Consultant:
ARCHETYPE architects
48 Union Wharf Portland, Maine 04101
(207) 772-6022 Fax (207) 772-4056

Project:
PRESS HOTEL
390 CONGRESS STREET
PORTLAND, ME 04101

Revisions:
2 13_09-09 60% Marriott Sub. & Pric.
3 13_10-14 Issue for Bid & Marriott Revw

Date: 14 OCT 13
Scale: As indicated
STAIR & ELEVATOR DETAILS

A3.25