

Prepared For:
119 Development, LLC
 P.O. Box 7468
 Portland, ME 04112

Consultant:
CRABTREE ENGINEERING
 27 SAMUEL COVE
 COLLIERVILLE, TN 38017
 PLUMBING: bob@crabtreeeng.com

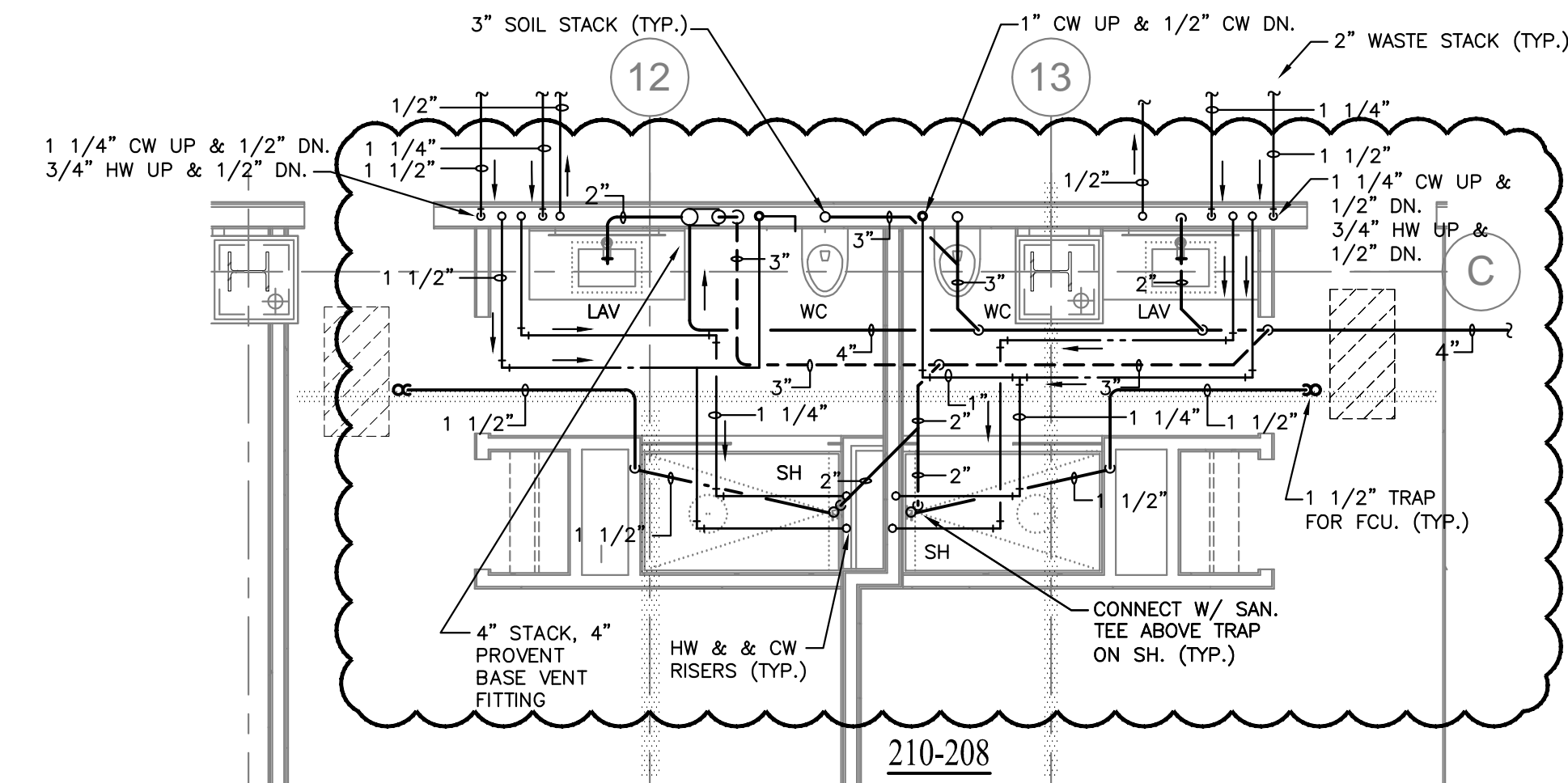
Architect:
ARCHETYPE architects
 48 Union Wharf Portland, Maine 04101
 (207) 772-6022 Fax (207) 772-4056

Project:
PRESS HOTEL
 390 CONGRESS STREET
 PORTLAND, ME 04101

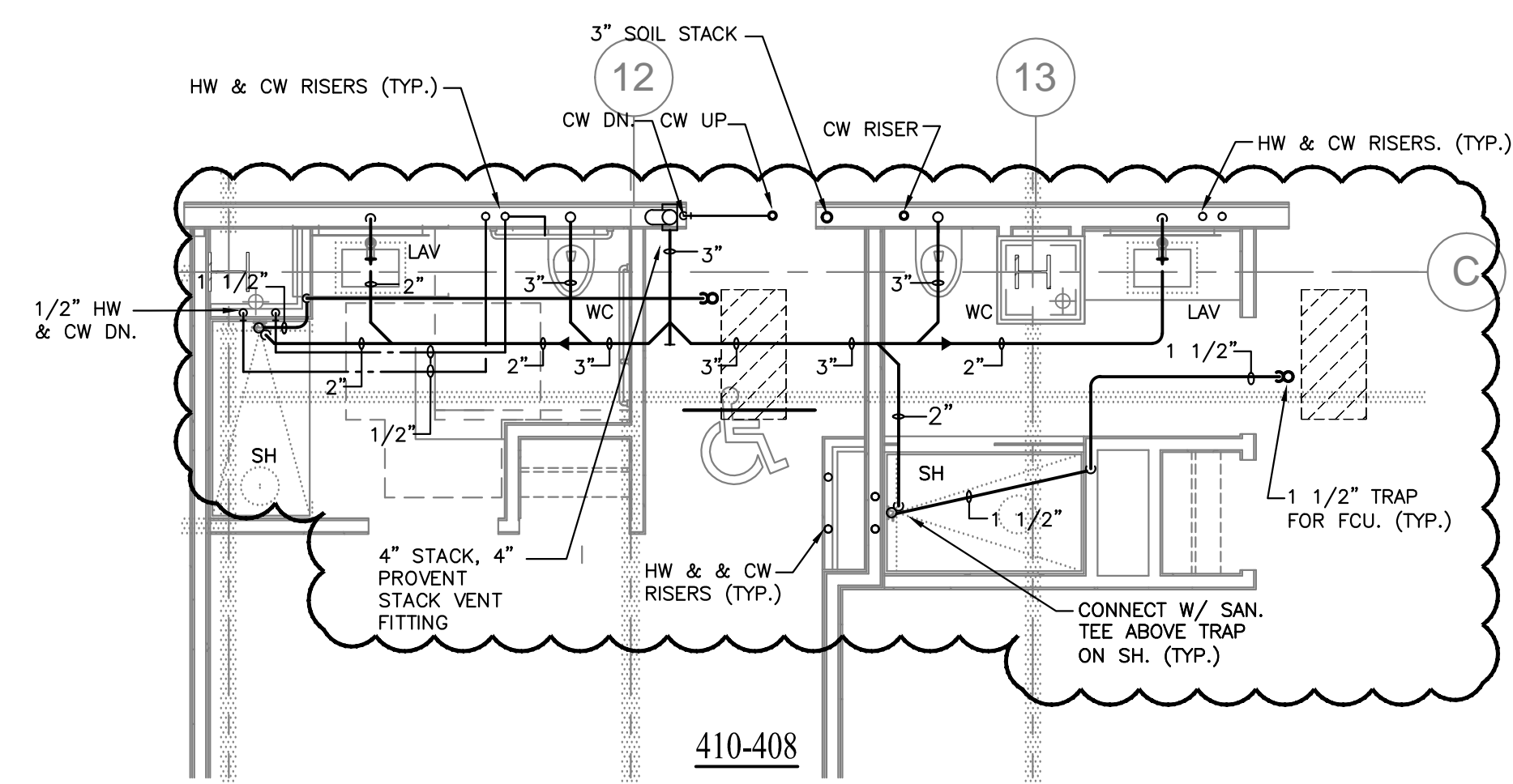
Revisions:
 1 13.10.14 Issue for Bid & Marriott Rev.
 2 13.10.21 Addendum #2
 3 13.10.31 Addendum #3

Date:
 13 October 2013
 Scale:
 1/4" = 1'-0"

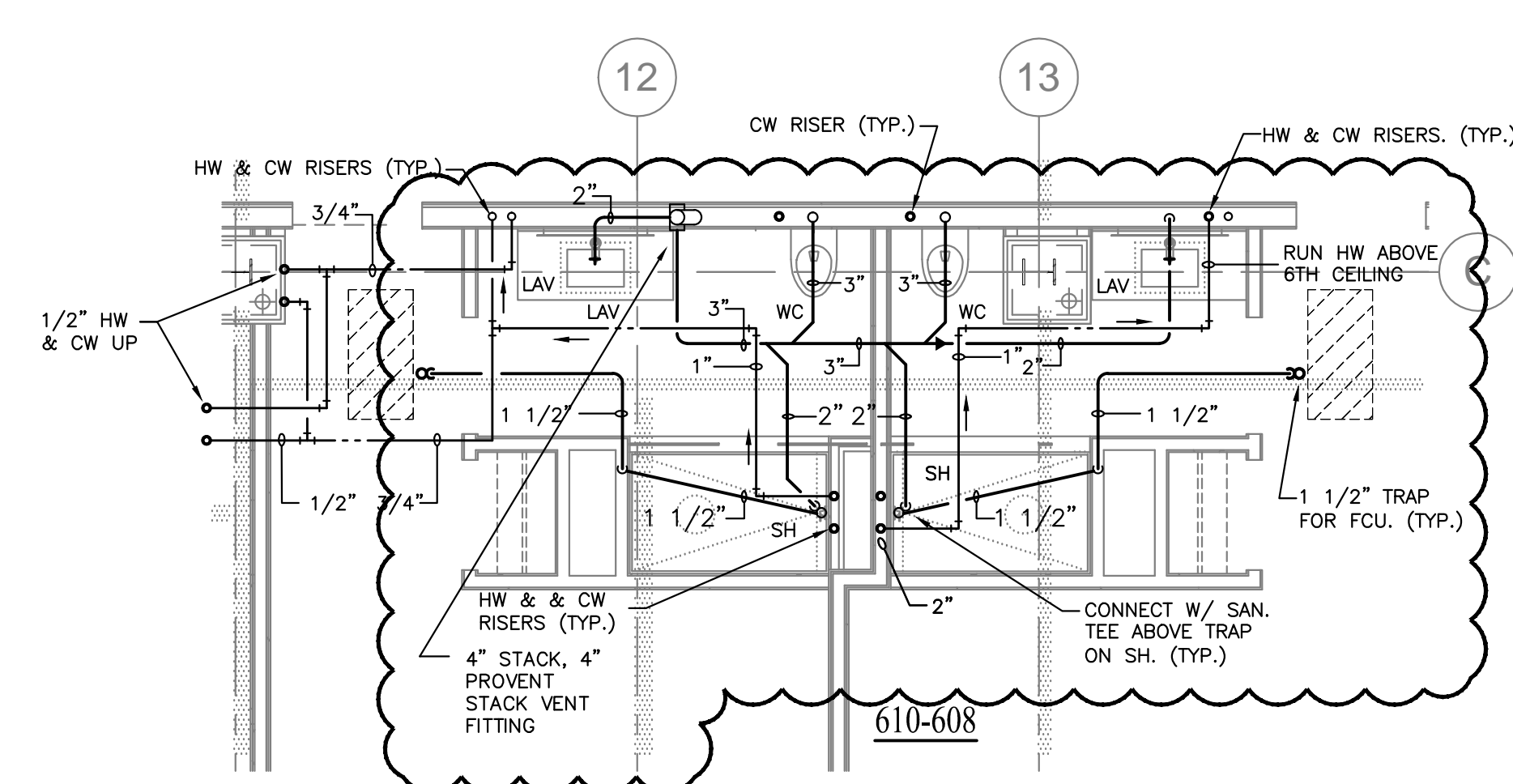
TYPICAL GUESTROOMS PLUMBING
P7.05



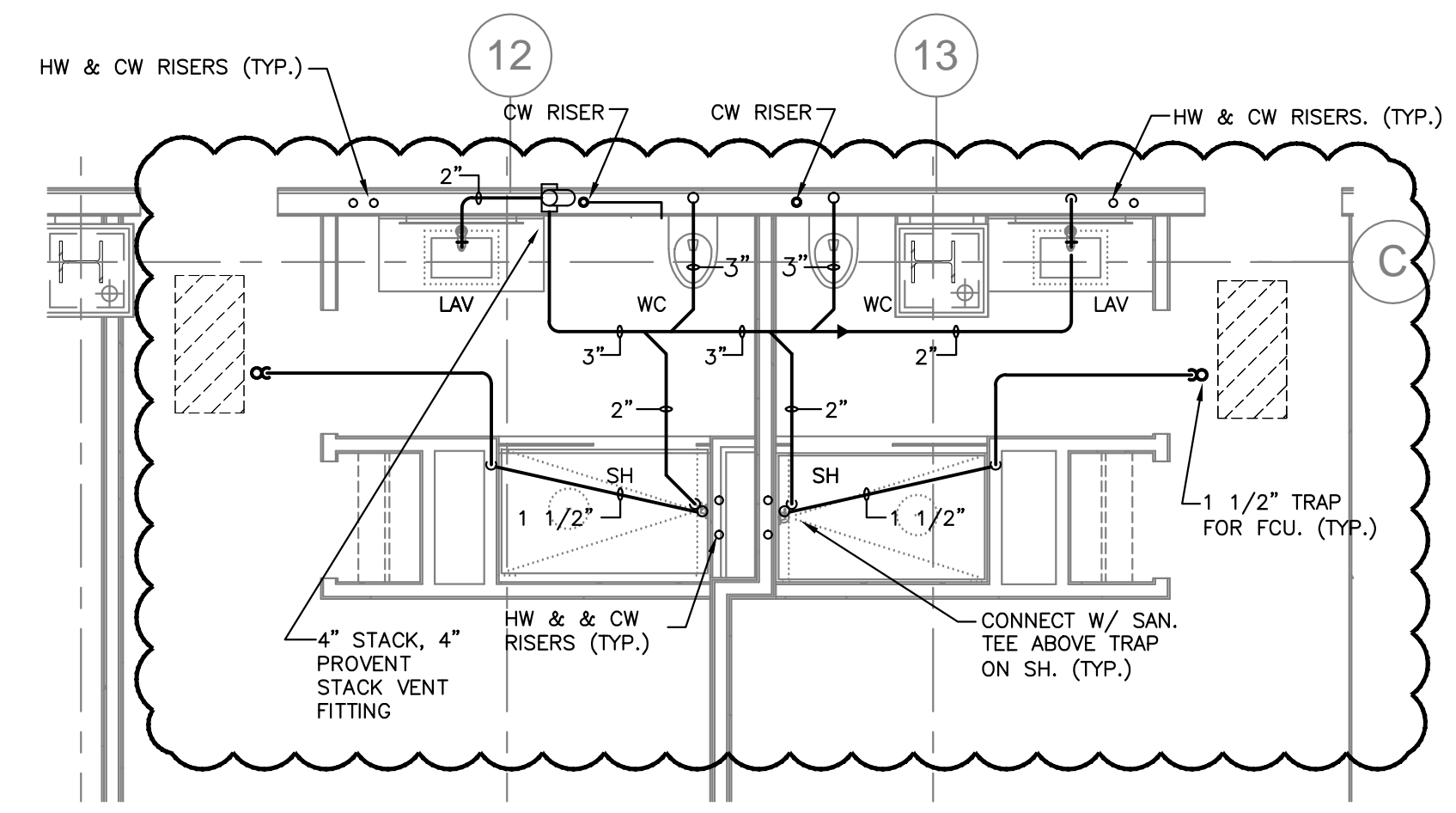
210-208



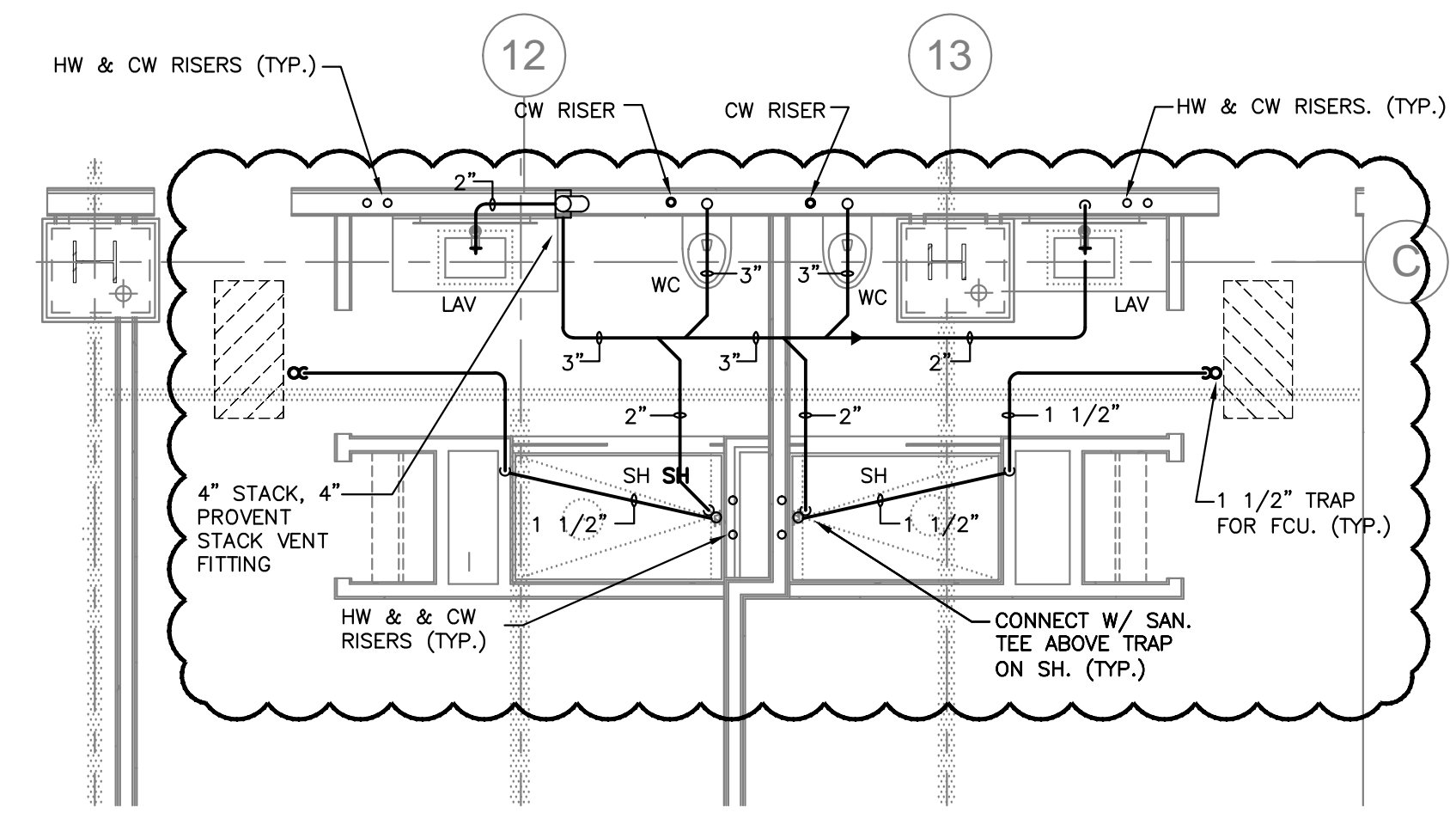
410-408



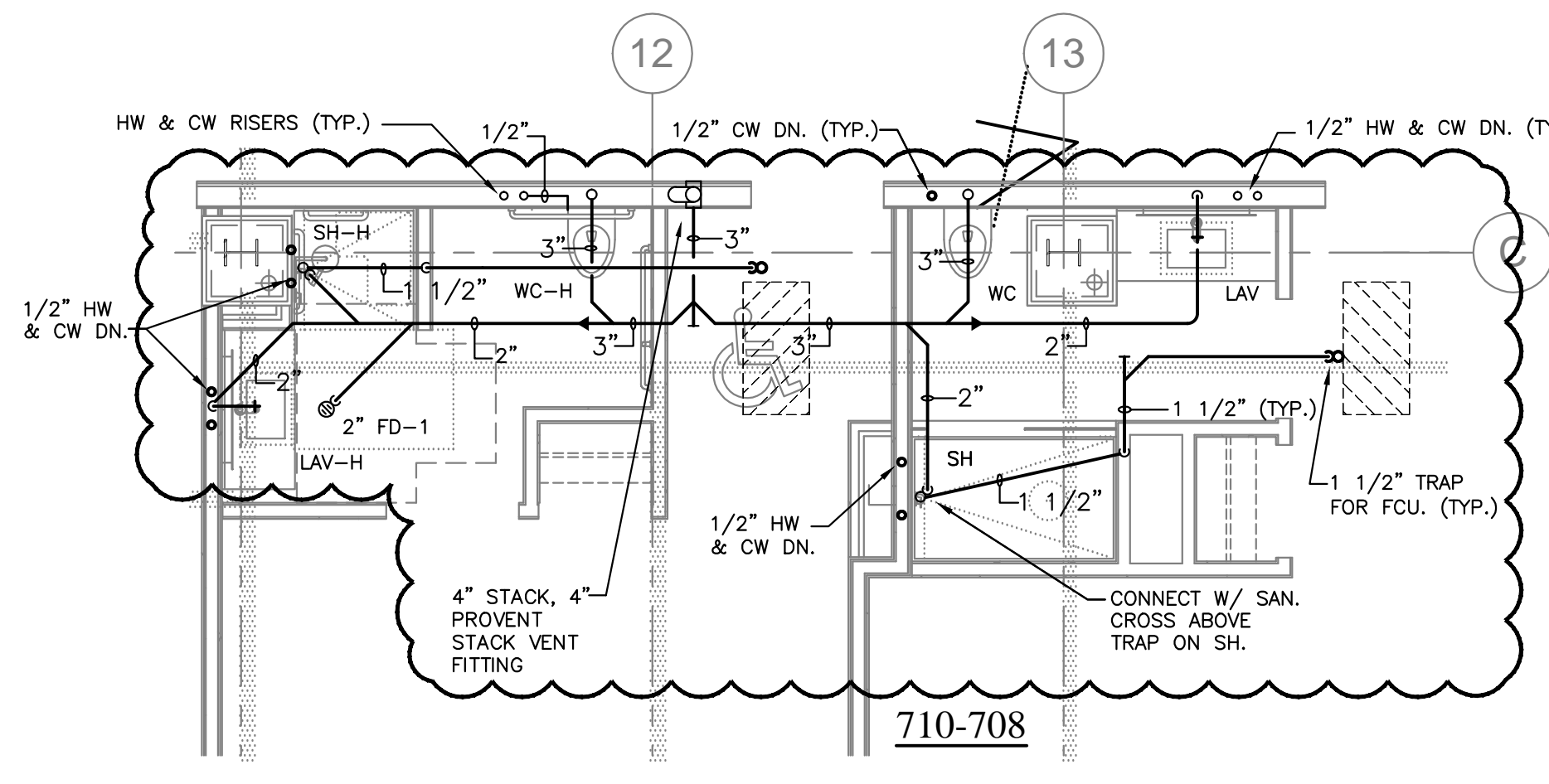
610-608



310-308



510-508

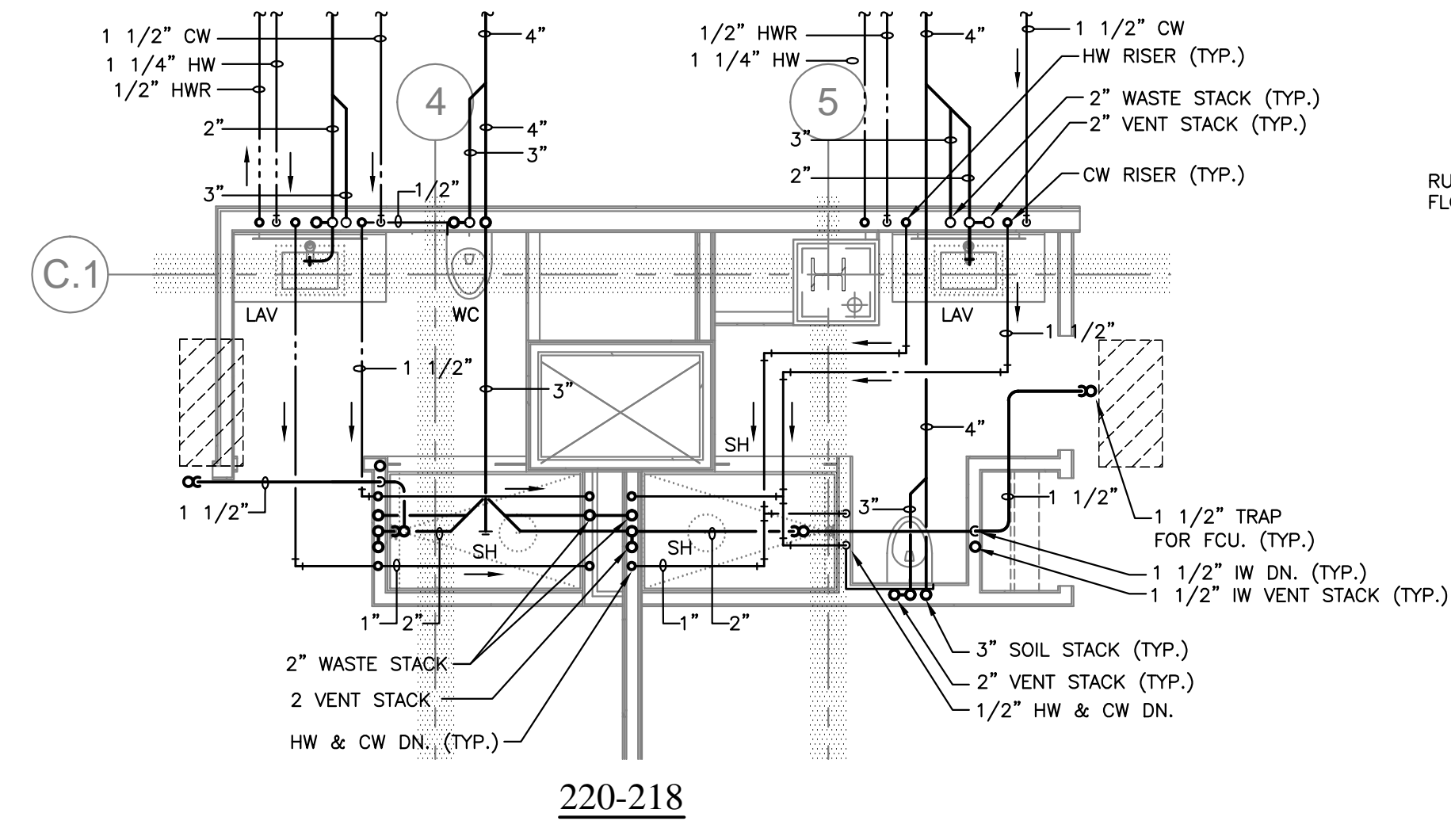


710-708

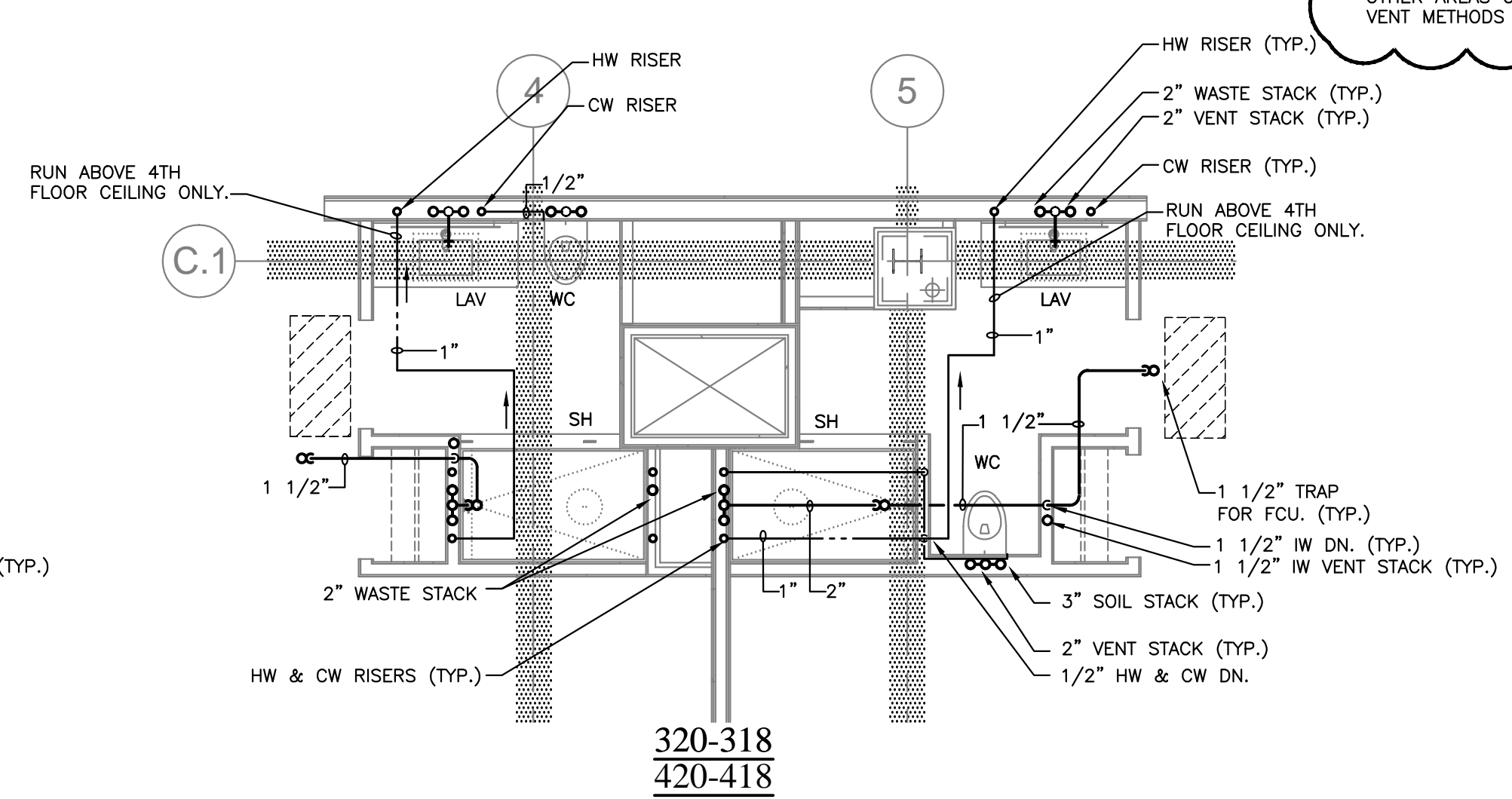
1 UNITS 210, 208, 310, 308, 410, 408, 510, 508, 610, 608, 710 & 708 - PLUMBING
 SCALE: 1/4"=1'-0"

THESE GUEST ROOM PLANS AND RISER DIAGRAMS SHOWING THE USE OF PROVENT SINGLE STACK SYSTEM ARE REPRESENTATIVE FOR ALL GUEST ROOMS.

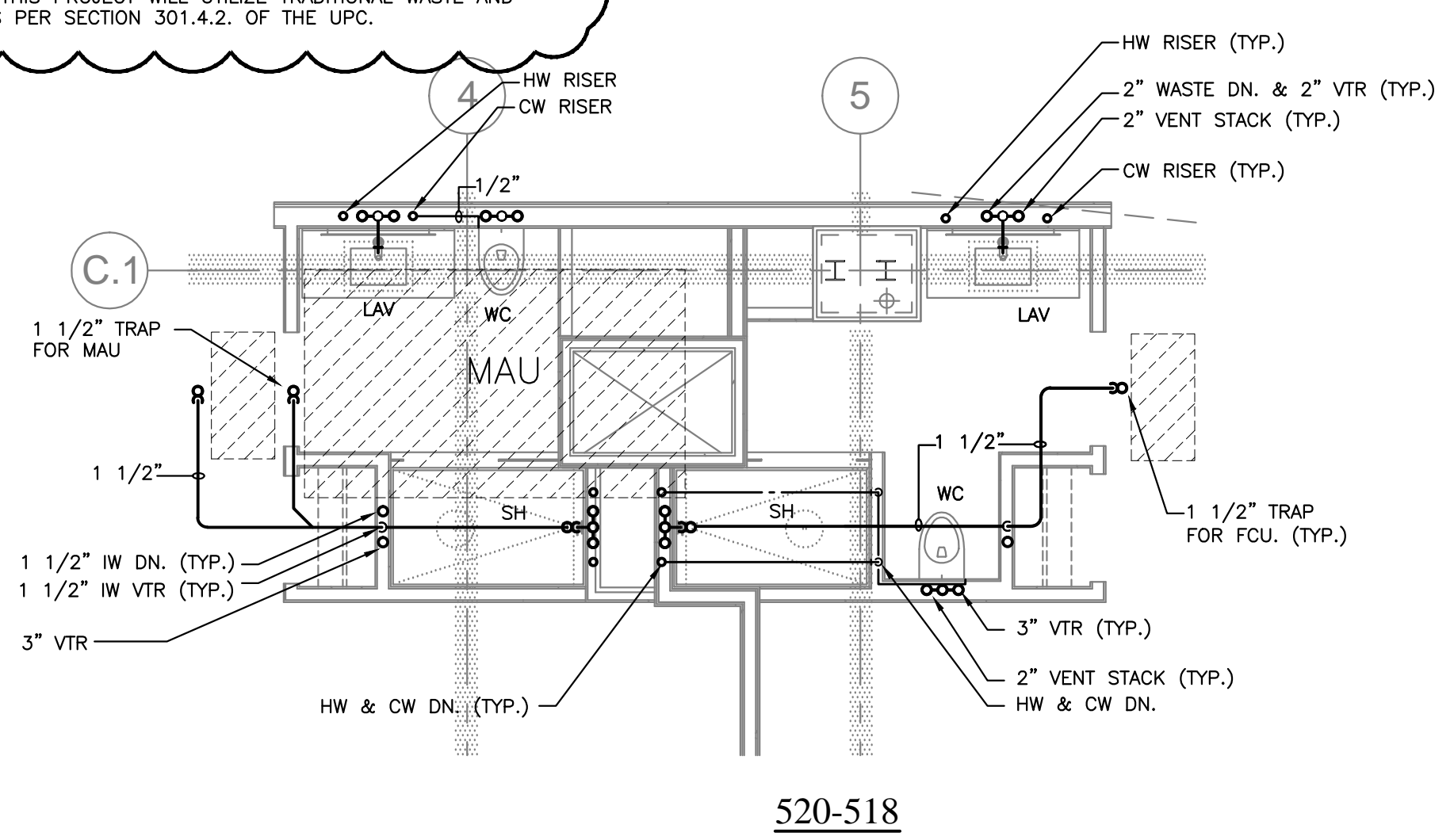
PROVENT SINGLE STACK SYSTEM USED FOR GUEST ROOMS PIPING IS AN "ALTERNATIVE ENGINEERED DESIGN". DESIGN FOLLOWS THE CRITERIA OF THE PROVENT GUIDE TO DESIGN AND USAGE. PROVENT SINGLE STACK SYSTEM 2006-07 PROVENT SYSTEMS INC. ONLY THE GUEST ROOMS OF THIS PROJECT WILL UTILIZE THIS "ALTERNATIVE ENGINEERED DESIGN" ALL OTHER AREAS OF THIS PROJECT WILL UTILIZE TRADITIONAL WASTE AND VENT METHODS AS PER SECTION 301.4.2. OF THE UPC.



220-218



320-318
420-418



520-518

1 UNITS 220, 218, 320, 318, 420, 418, 520, & 518 - PLUMBING
 SCALE: 1/4"=1'-0"

- ALL WC SHALL HAVE 3" WASTE STACKS AND 2" VENT STACK. ALL LAV AND SHOWER SHALL HAVE 2" WASTE AND VENT STACKS.
- DROP WATER RISERS DN. AT LAVATORY. LOCATE BALL VALVES AND BALL COCK IN WALL WITH ACCESS PANEL. (TYPICAL ALL SECOND FLOORS).
- PROVIDE EACH FCU WITH 1 1/2" CONNECTION (TYPICAL ALL FCU ALL FLOORS).
- PROVIDE WCO AT BASE OF ALL WASTE STACKS.
- CONNECT ALL 1 1/2" IW W/ SAN. TEE ABOVE TRAP ON SH (TYPICAL ALL FCU ALL FLOORS).
- WHERE WASTE, VENT, CONDENSATE AND WATER RISERS OFFSETS ARE NOT INDICATED, PROVIDE OFFSETS AS REQUIRED.