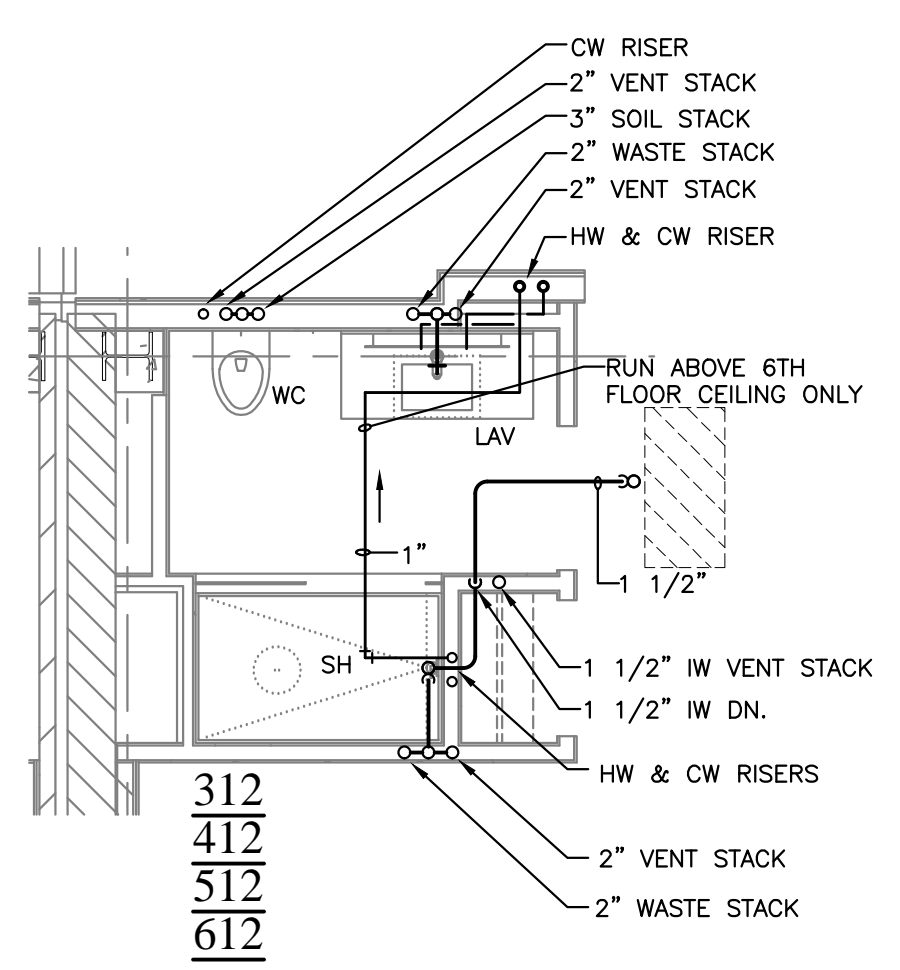
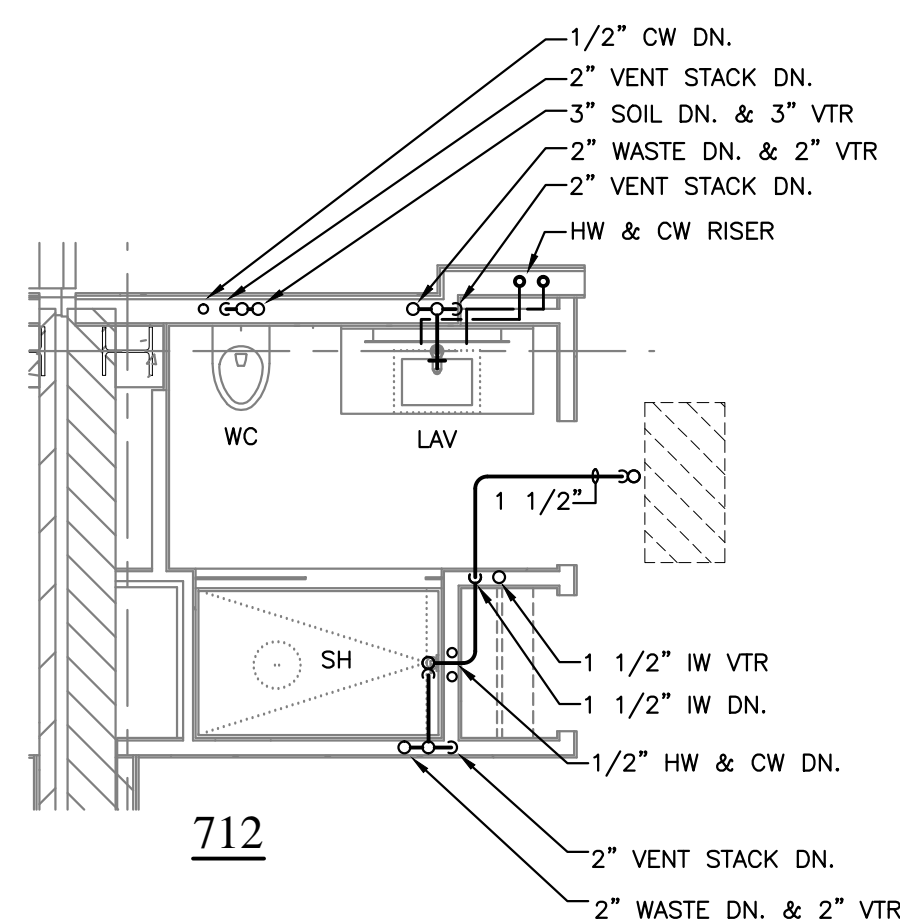


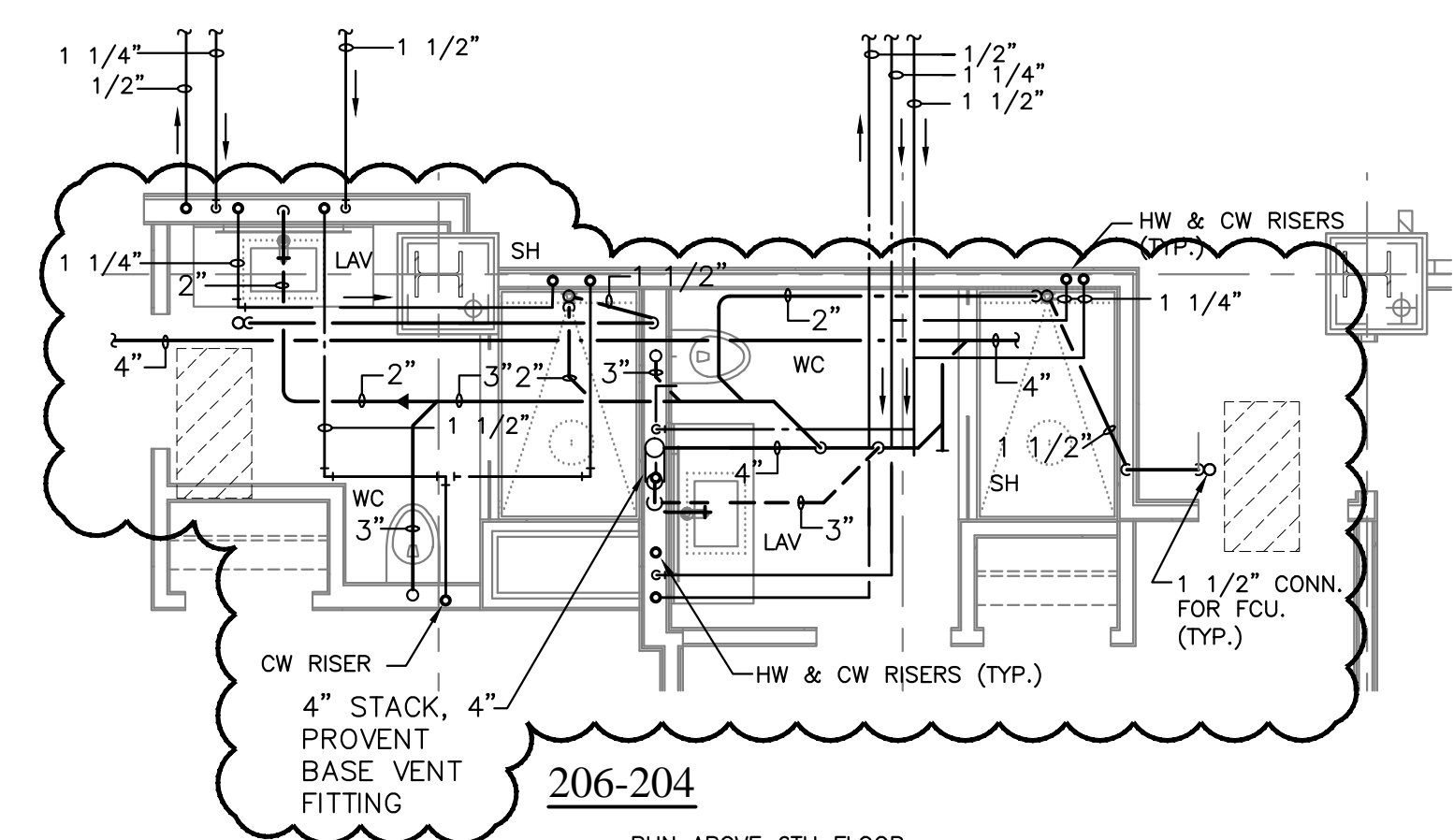
212



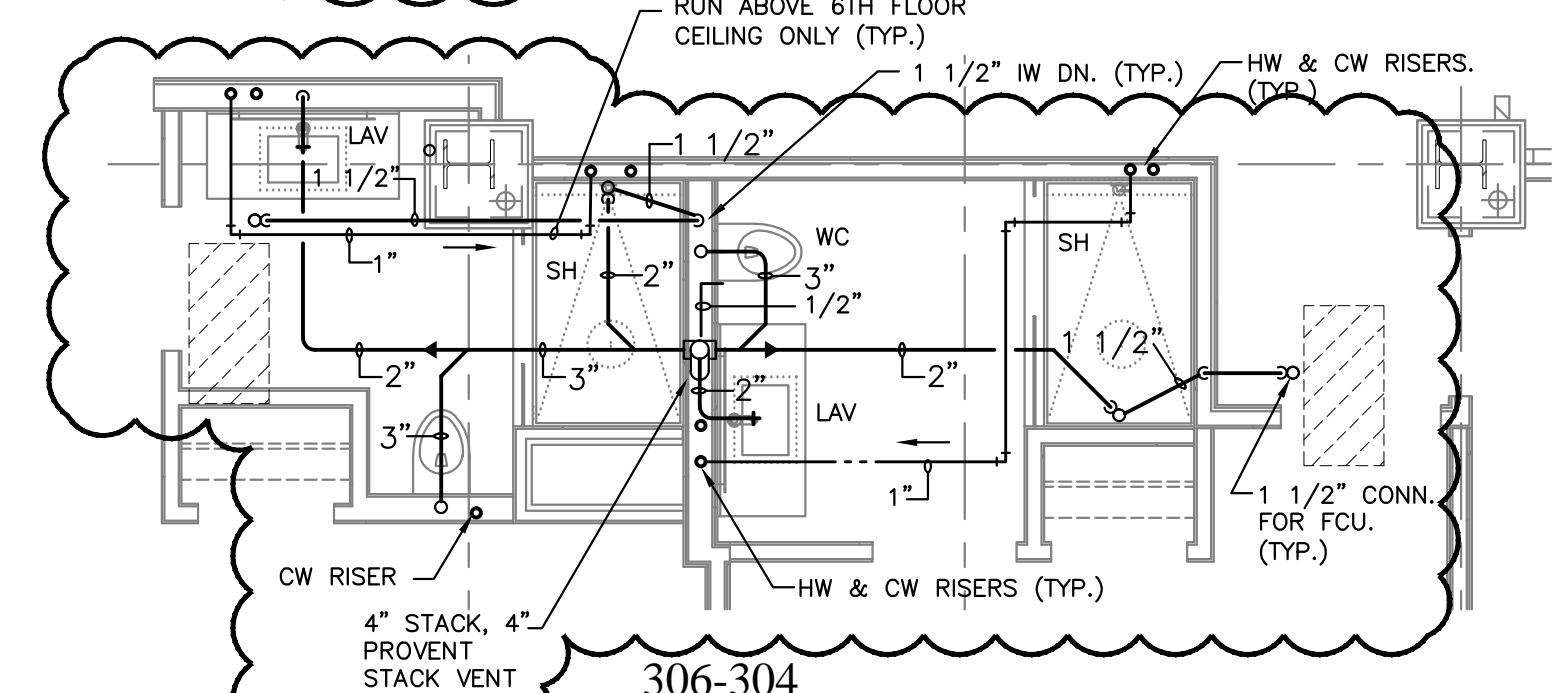
312
412
512
612



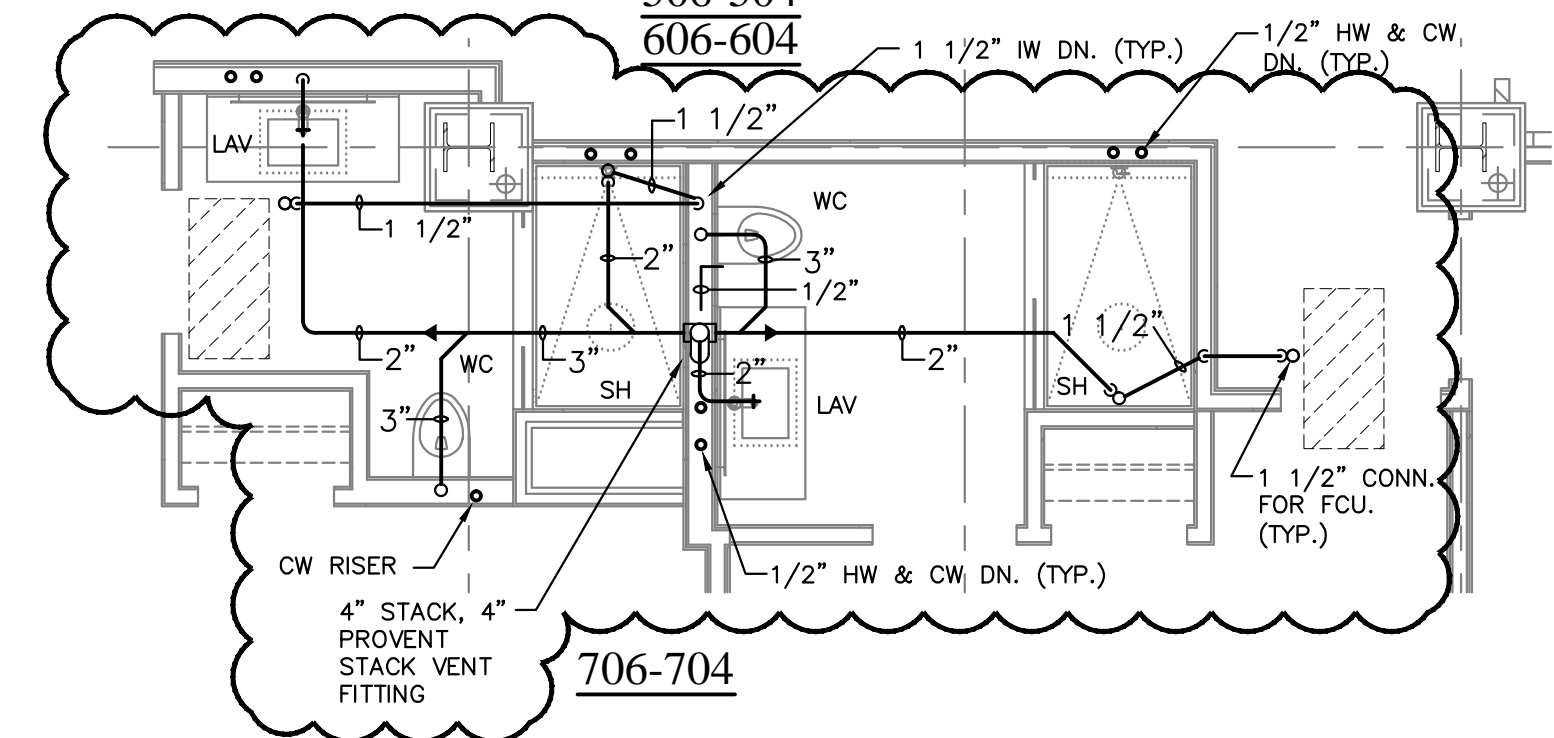
712



206-204



306-304
406-404
506-504
606-604

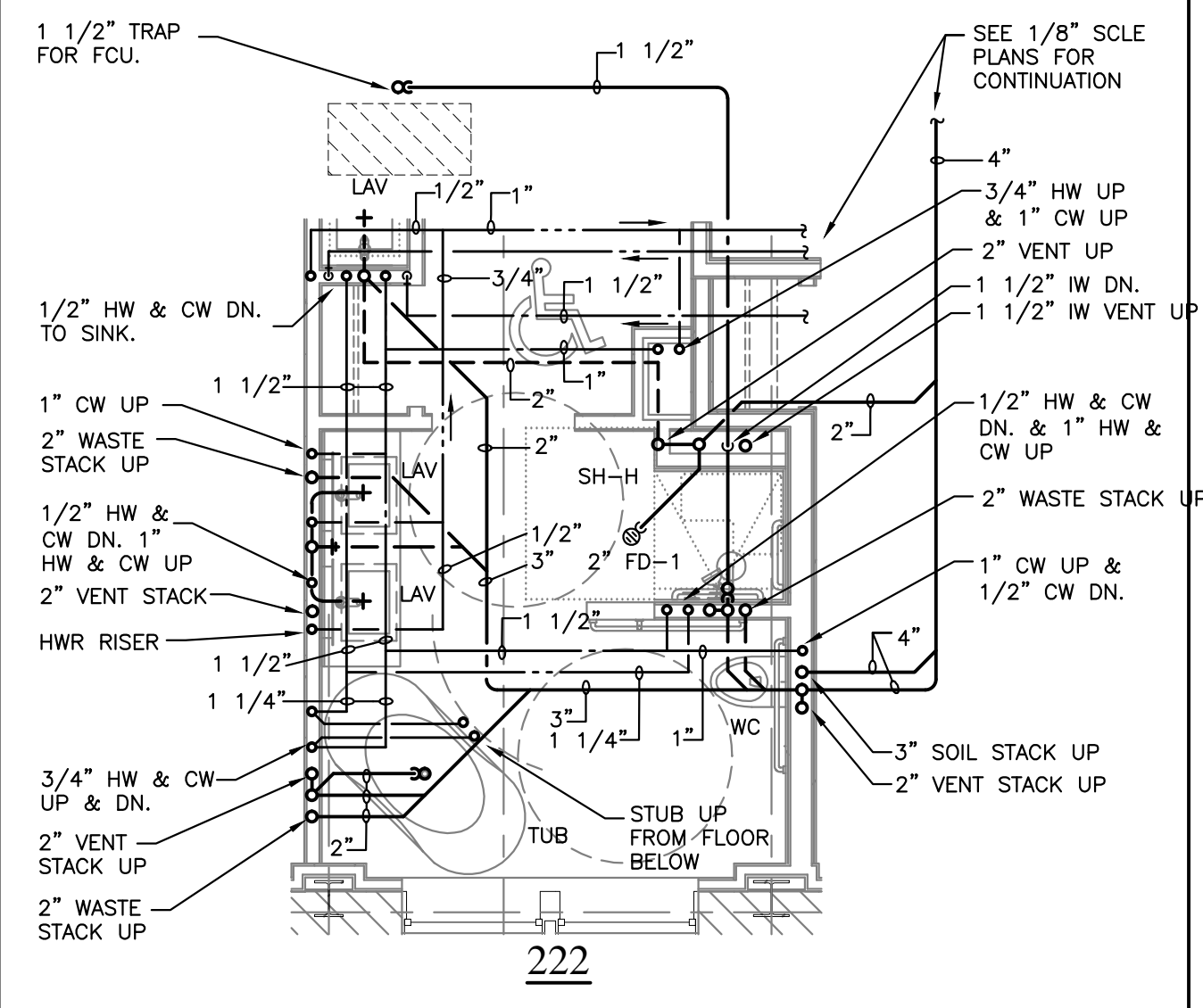


706-704

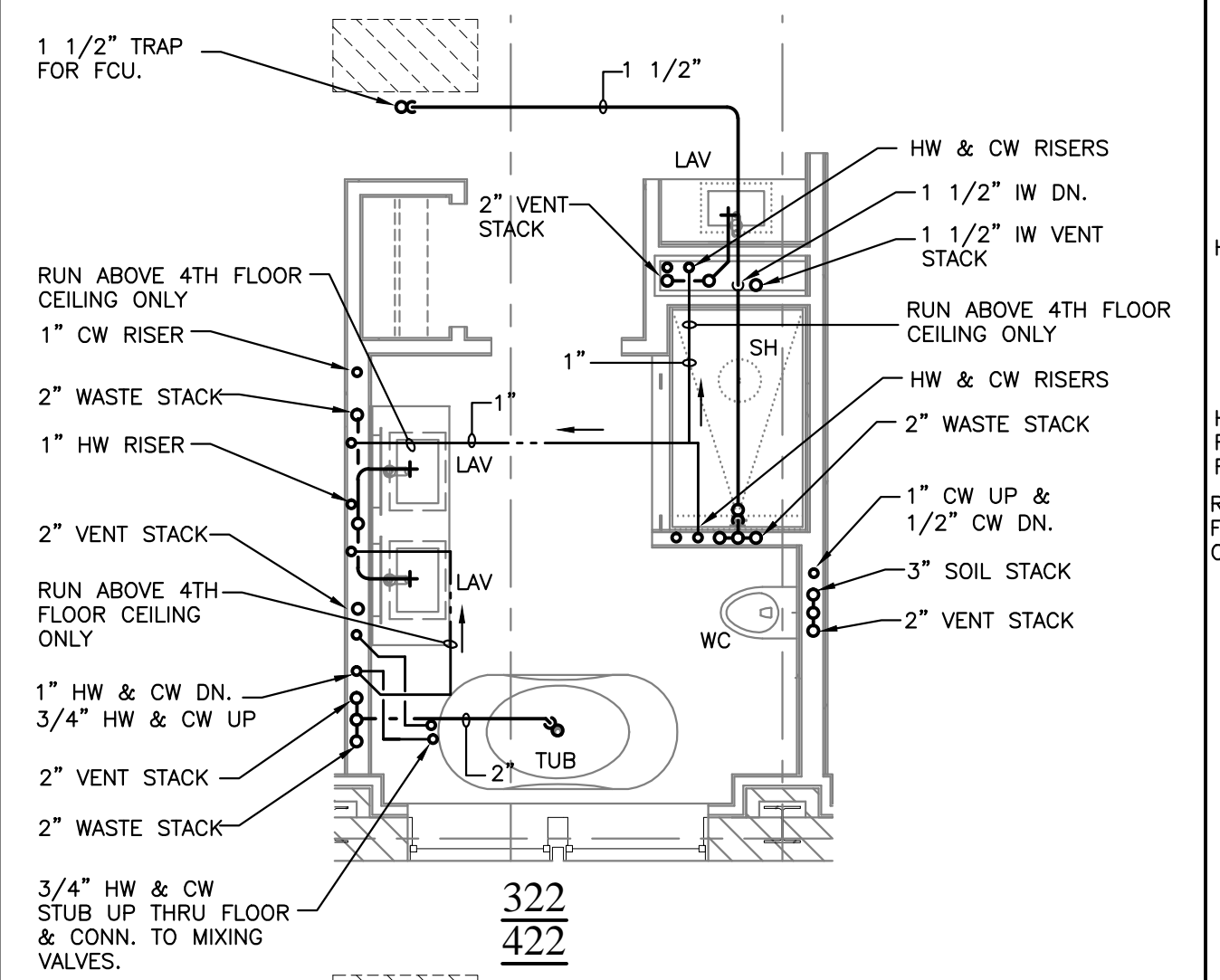
THESE GUEST ROOM PLANS AND RISER DIAGRAMS SHOWING THE USE OF PROVENT SINGLE STACK SYSTEM ARE REPRESENTATIVE FOR ALL GUEST ROOMS.

PROVENT SINGLE STACK SYSTEM USED FOR GUEST ROOMS PIPING IS AN "ALTERNATIVE ENGINEERED DESIGN". DESIGN FOLLOWS THE CRITERIA OF THE PROVENT GUIDE TO DESIGN AND USAGE. PROVENT SINGLE STACK SYSTEM 2006-07 PROVENT SYSTEMS INC. ONLY THE GUEST ROOMS OF THIS PROJECT WILL UTILIZE THIS "ALTERNATIVE ENGINEERED DESIGN" ALL OTHER AREAS OF THIS PROJECT WILL UTILIZE TRADITIONAL WASTE AND VENT METHODS AS PER SECTION 301.4.2. OF THE UPC.

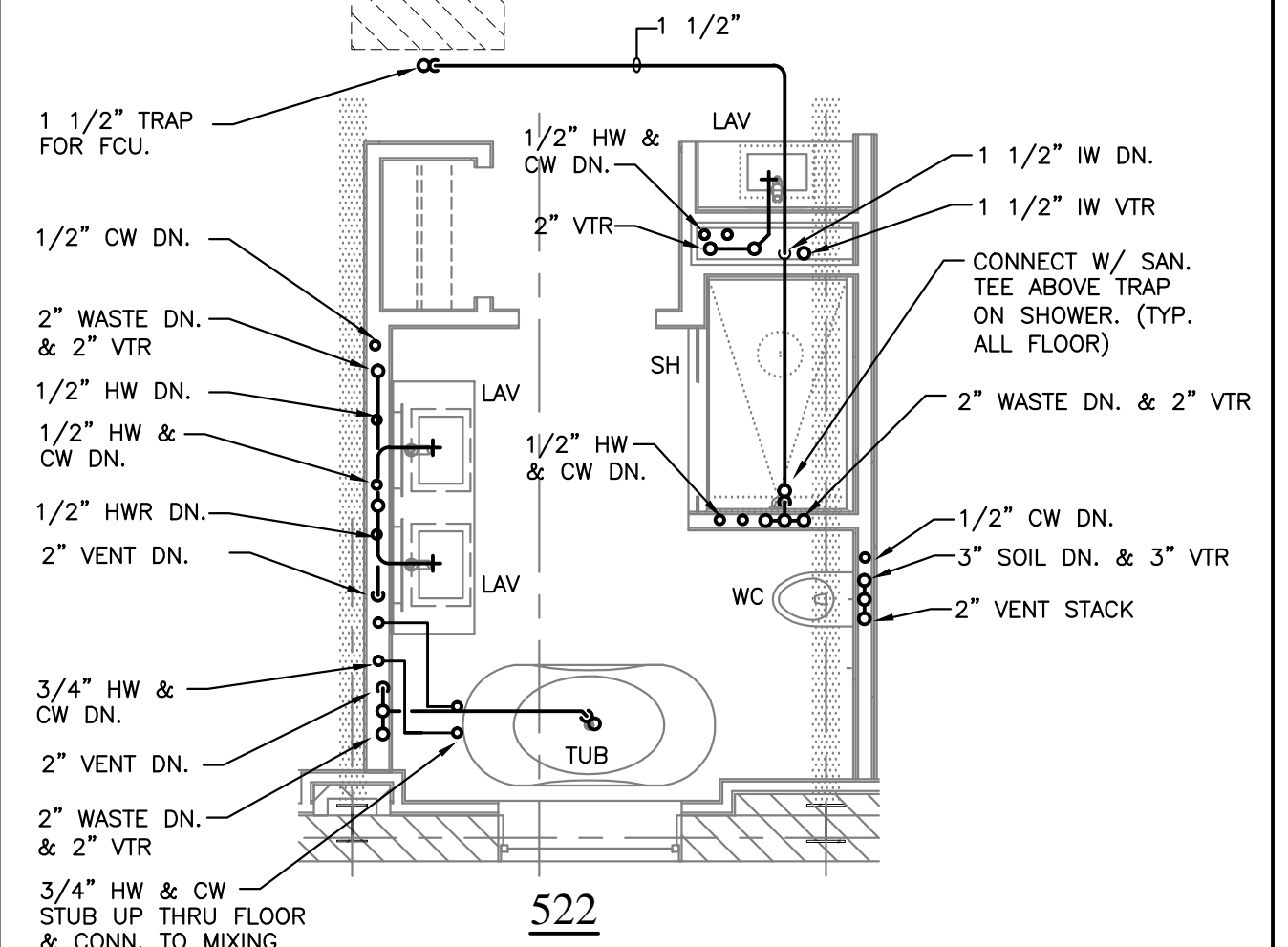
2 UNITS 206-204, 306-304, 406-404, 506-504, 606-604 & 706-704 - PLUMBING
SCALE: 1/4"=1'-0"



222

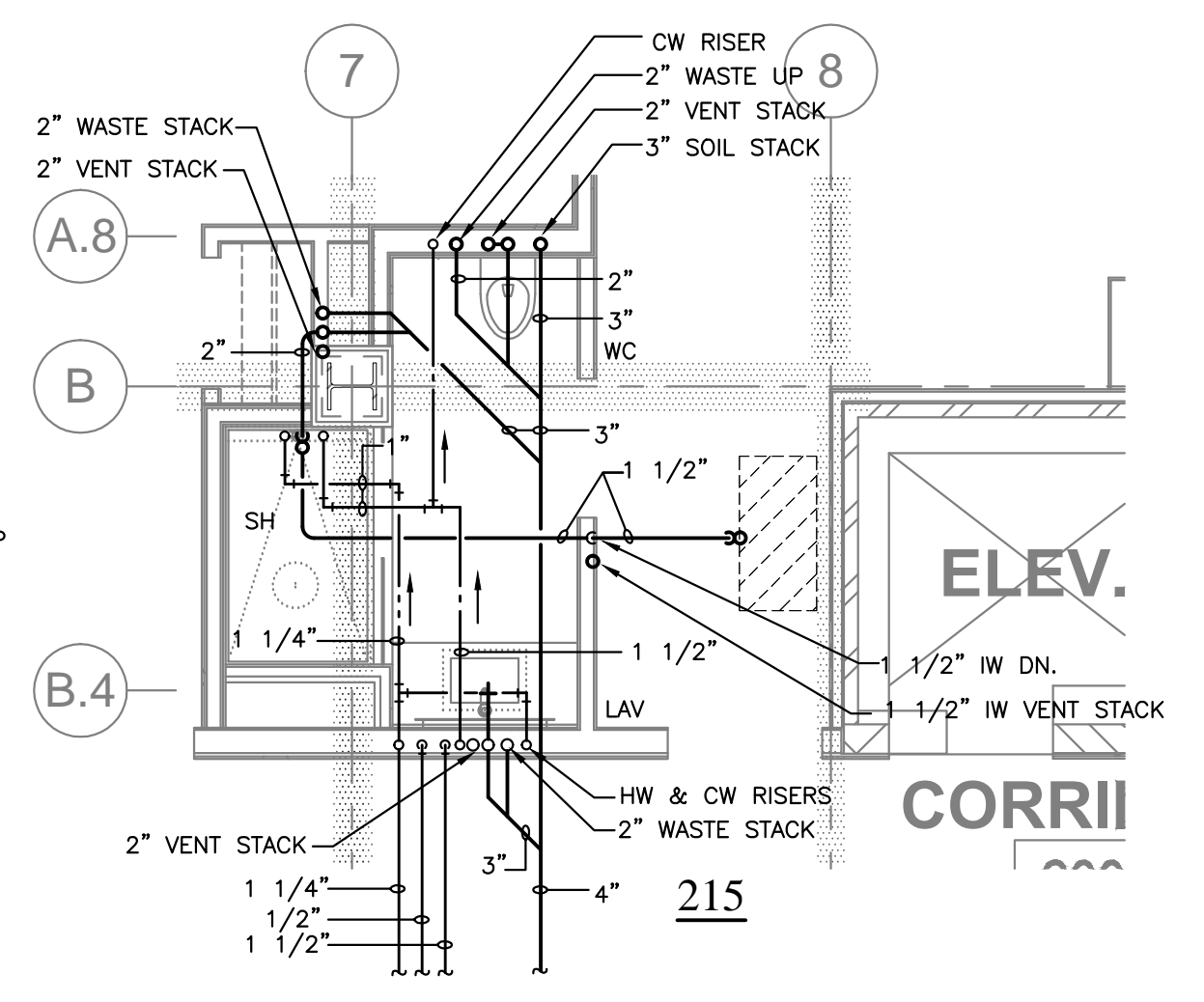


322
422

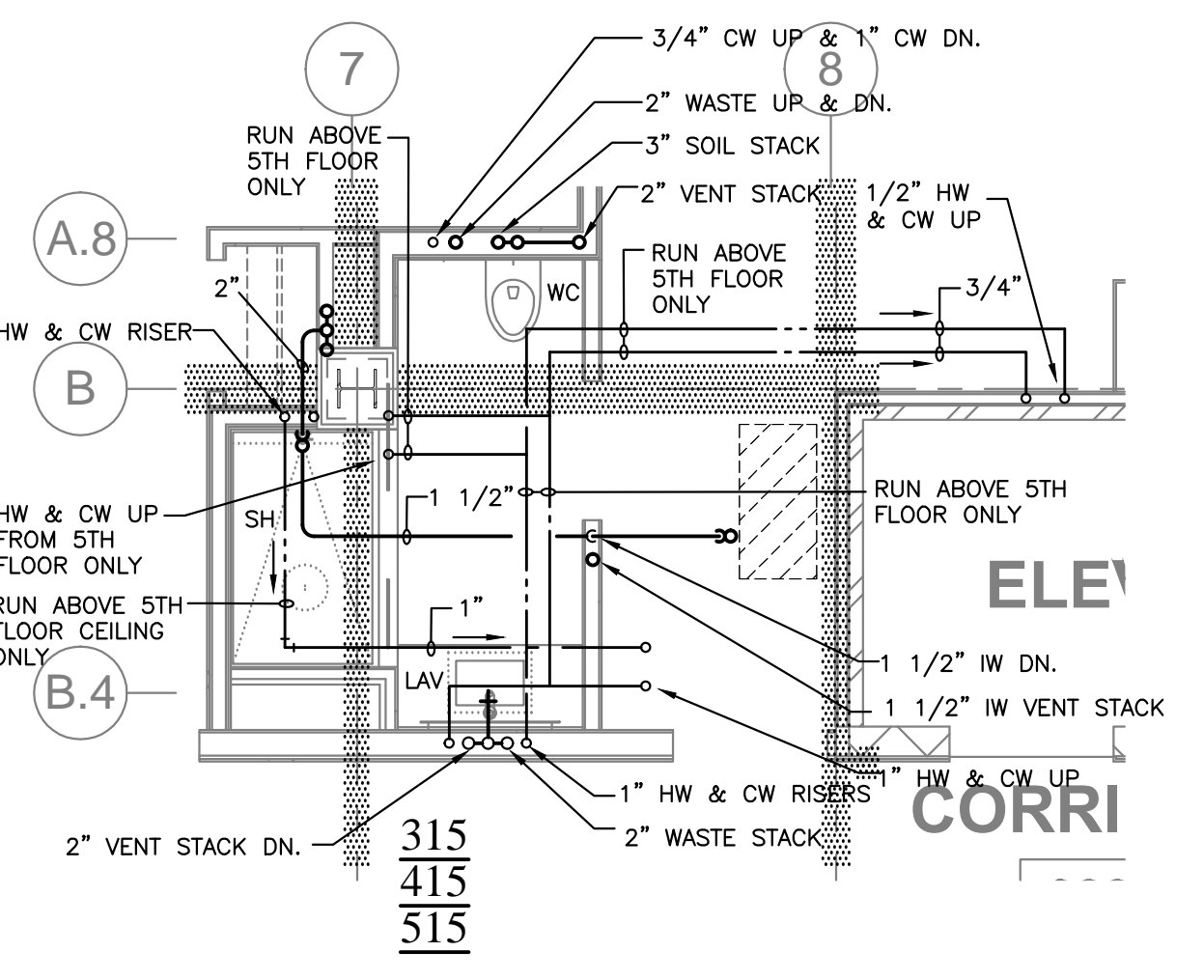


522

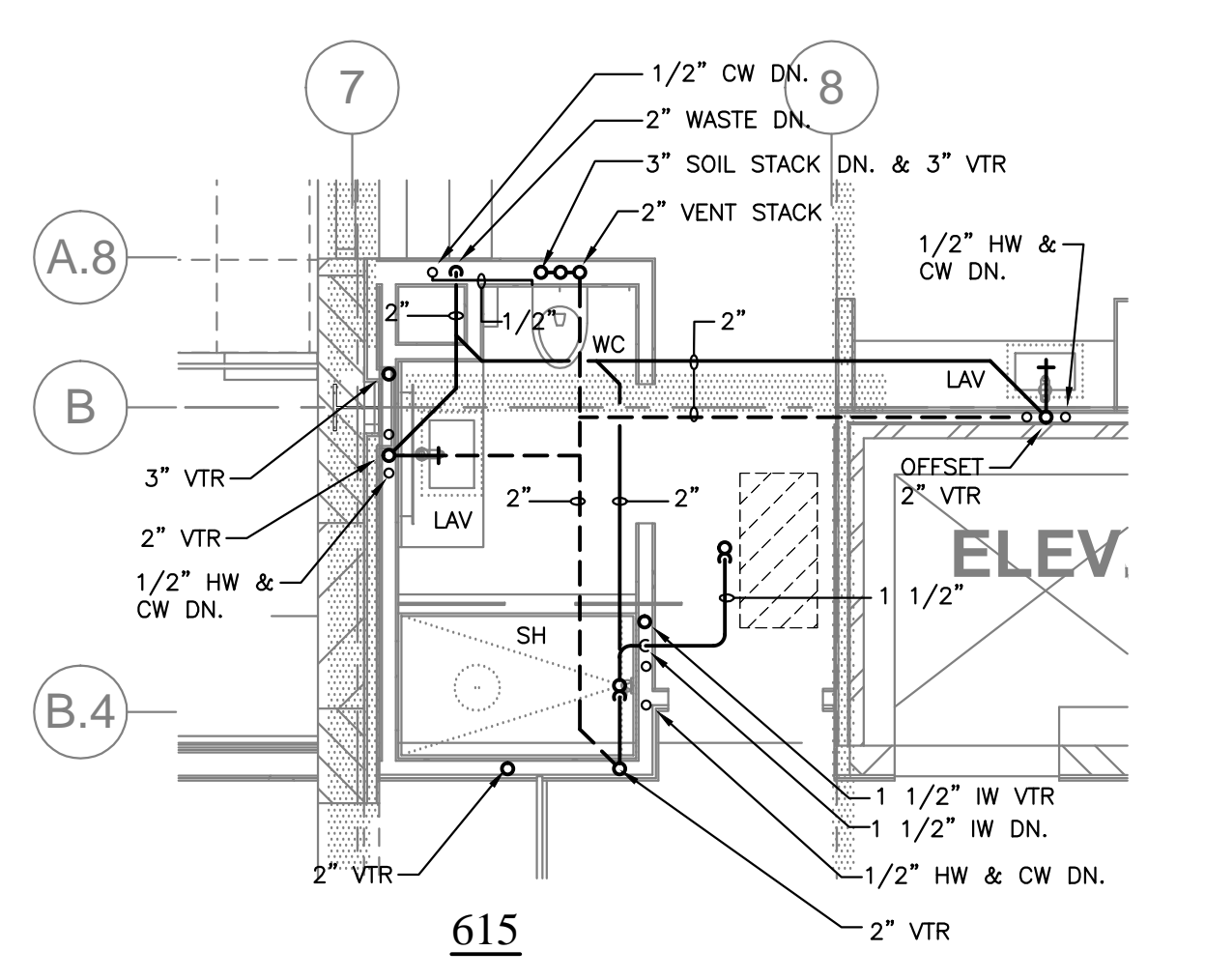
3 UNITS 222, 322, 422 & 522 - PLUMBING
SCALE: 1/4"=1'-0"



215



315
415
515

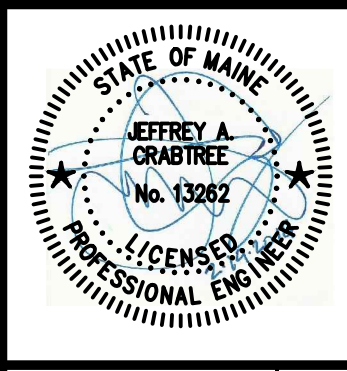


615

4 UNITS 215, 315, 415, 515 & 615 - PLUMBING
SCALE: 1/4"=1'-0"

ALL WC SHALL HAVE 3" WASTE STACKS AND 2" VENT STACK. ALL LAV AND SHOWER SHALL HAVE 2" WASTE AND VENT STACKS.	PROVIDE EACH FCU WITH 1 1/2" CONNECTION (TYPICAL ALL FCU ALL FLOORS).	CONNECT ALL 1 1/2" IW W/ SAN TEE ABOVE TRAP ON SH (TYPICAL ALL FCU ALL FLOORS).
DROP WATER RISERS DN. AT LAVATORY. LOCATE BALL VALVES AND BALL COCK IN WALL WITH ACCESS PANEL. (TYPICAL ALL SECOND FLOORS).	PROVIDE WCO AT BASE OF ALL WASTE STACKS.	WASTE, VENT, CONDENSATE AND WATER RISERS OFFSETS ARE NOT INDICATED. PROVIDE OFFSETS AS REQUIRED.

1 UNITS 212, 312, 412, 512, 612 & 712 - PLUMBING
SCALE: 1/4"=1'-0"



Prepared For:
119 Development, LLC
P.O. Box 7468
Portland, ME 04112

Consultant:
CRABTREE ENGINEERING
27 SAMUEL COVE
COLLIERVILLE, TN 38017
PLUMBING: bob@crabtreeeng.com



Project:
PRESS HOTEL
390 CONGRESS STREET
PORTLAND, ME 04101

Revisions:

1	13_10-14	Issue for Bid & Marriott Rev.
2	13_10-21	Addendum #2
3	13_10-31	Addendum #3

Date:
13 October 2013

Scale:
1/4" = 1'-0"

TYPICAL GUESTROOMS PLUMBING

P7.03