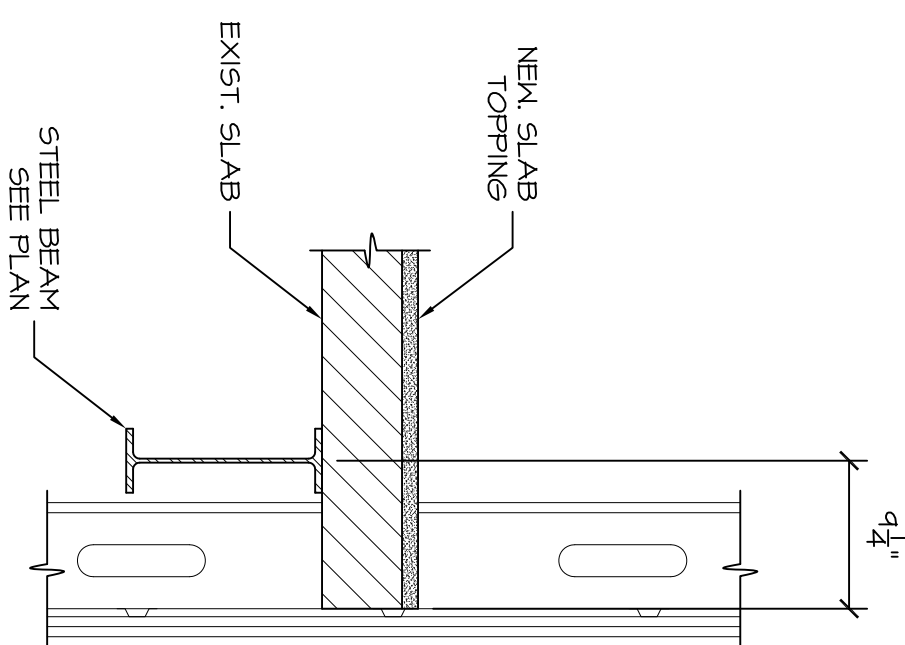
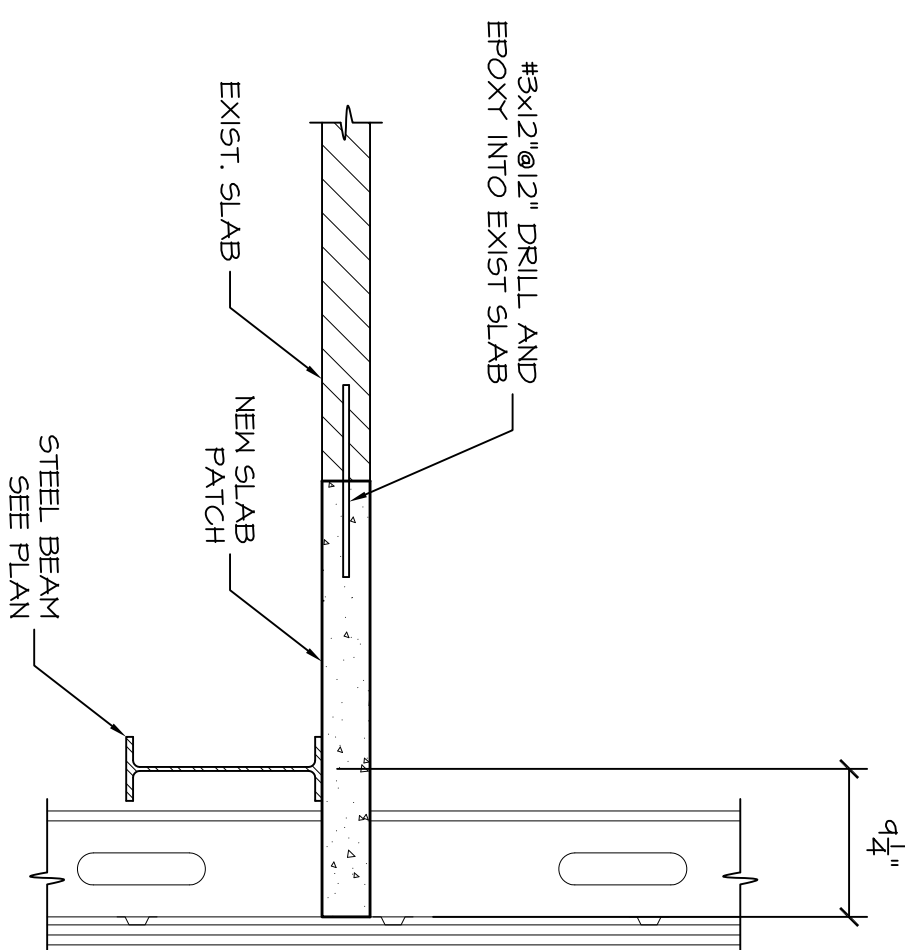


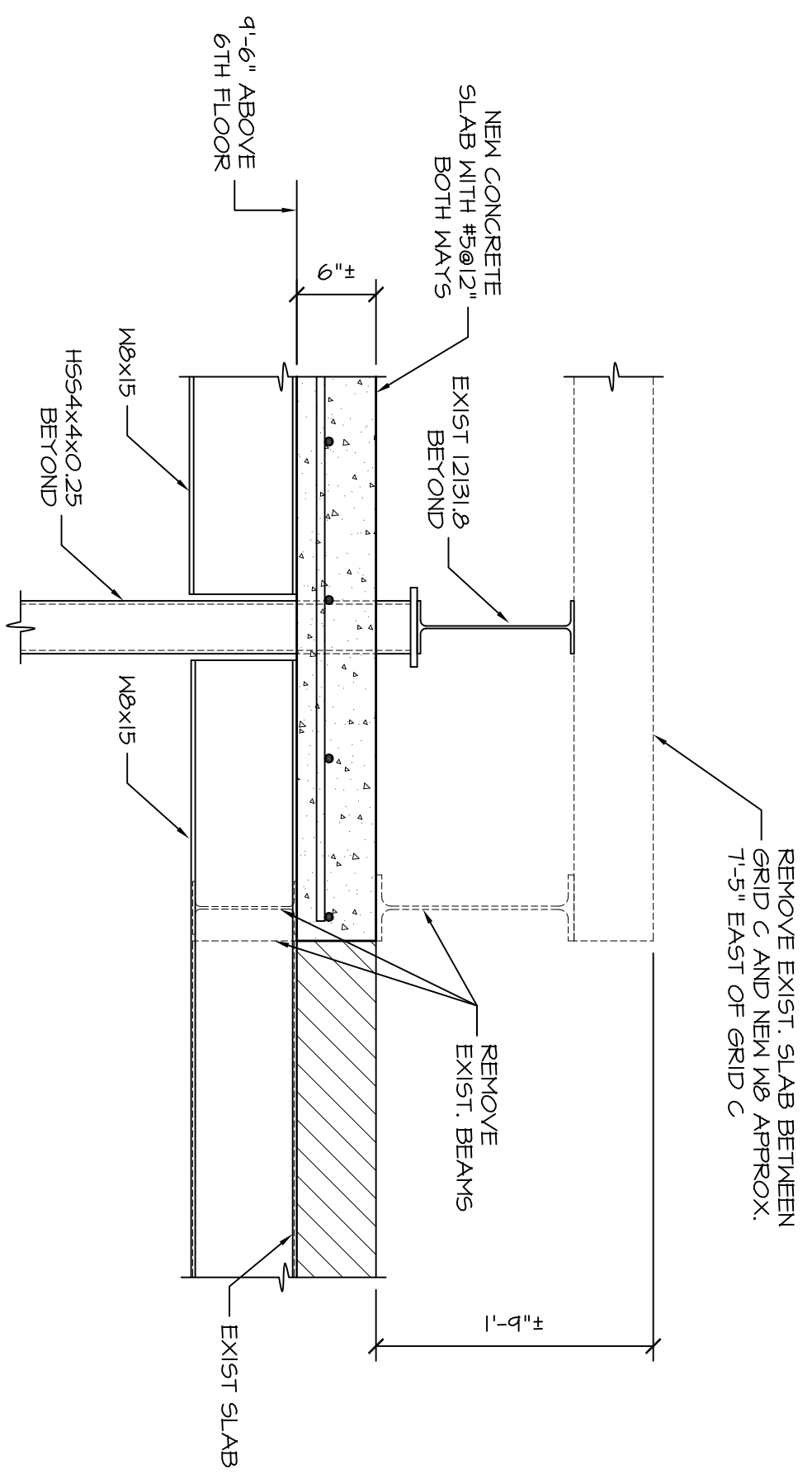
SECTION 3
1"=1'-0" S1.10



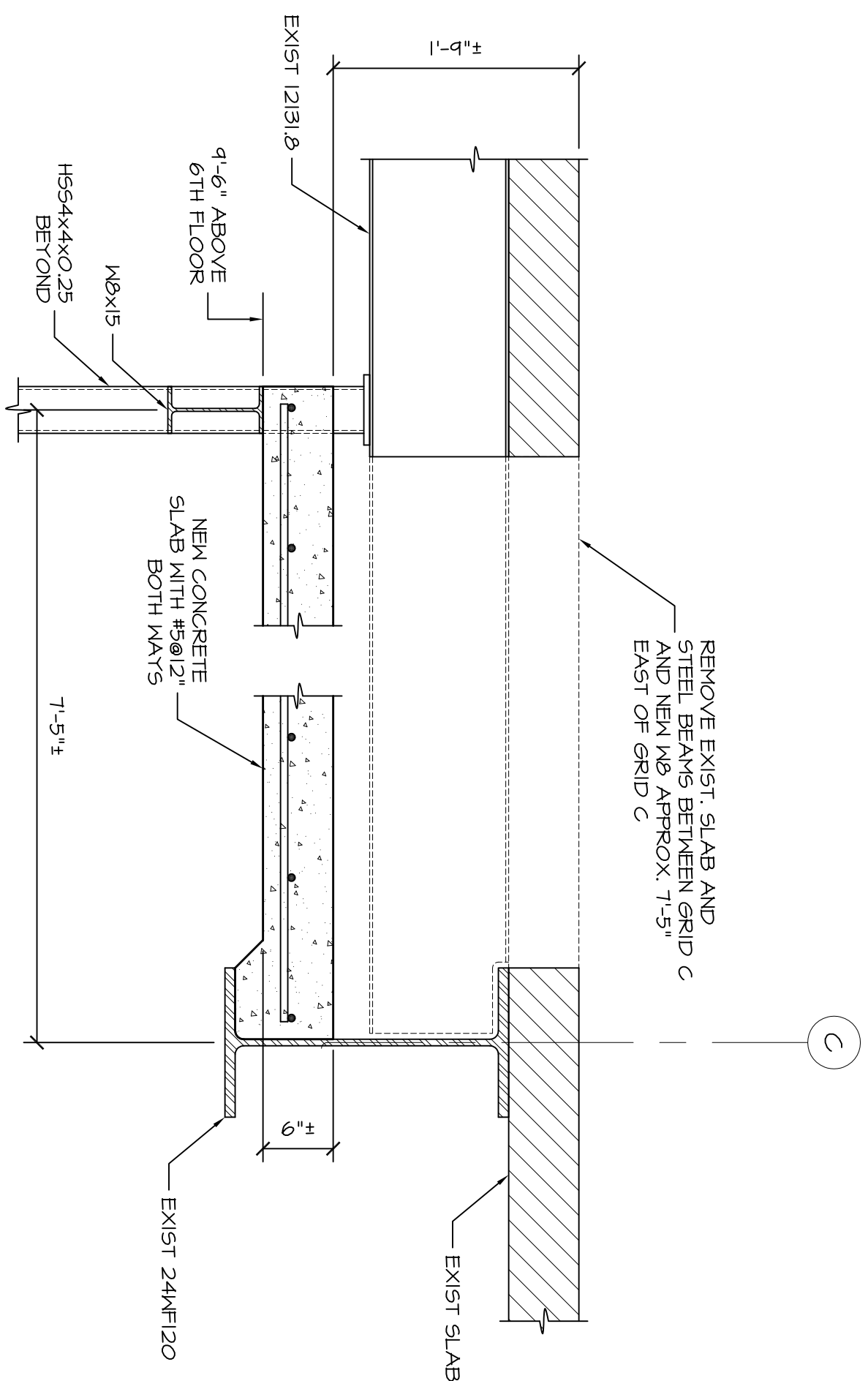
SECTION 4
1"=1'-0" S1.10



SECTION 5
1"=1'-0" S1.10



SECTION 6
1"=1'-0" S1.10



SECTION 7
1"=1'-0" S1.10

Date:
01 July, 2013

Scale:
As Noted

Revisions:
3 14 Oct 2013 Bid & Marriott Review

Project:

Press Hotel

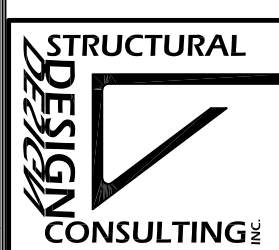
119 Exchange St.
Portland, Maine 04101

Architect:



48 Union Wharf Portland, Maine 04101
(207) 772-6022 Fax (207) 772-4056

Consulting Engineer:



22 Oakmont Drive
Old Orchard Beach ME
04064-4121
Tel 207.934.8038
Fax 207.934.8039

Prepared For:

119 DEVELOPMENT,
LLC

P.O. Box 7468
Portland, Me 04112