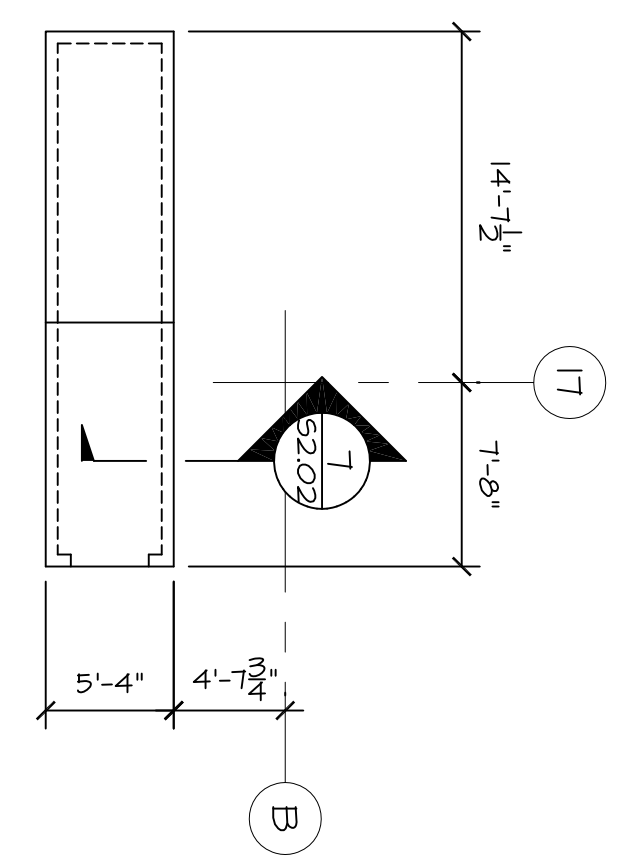
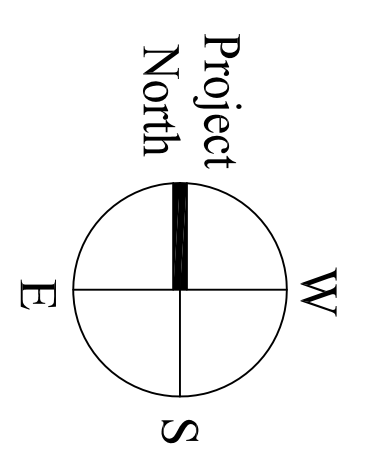


STAIR B PENTHOUSE ROOF FRAMING PLAN
1/8"=1'-0"



UPPER ROOF FRAMING PLAN
1/8"=1'-0"
----- INDICATES EXISTING STEEL BEAM NOTED BY STANDARD AISC SIZE
----- OR WF DEPTH (NW) X WIDTH (NW)

ALL DIMENSIONS AND ELEVATIONS MUST BE FIELD VERIFIED BY CONTRACTOR



S1.09

Date: 01 July, 2013

Scale: 1/8"=1'-0"

Revisions:	
1	1 Jul 2013 30% Marriott Submission
2	9 Sep 2013 60% Marriott Sub. & Pric.
3	14 Oct 2013 Bid & Marriott Review

Project: **Press Hotel**

119 Exchange St.
Portland, Maine 04101

Architect: **ARCHETYPE Architects**
48 Union Wharf Portland, Maine 04101
(207) 772-6022 Fax (207) 772-4056

Consulting Engineer: **STRUCTURAL DESIGN CONSULTING**
22 Oakmont Drive
Old Orchard Beach ME
04064-4121
Tel 207.934.8038
Fax 207.934.8039

Prepared For: **119 DEVELOPMENT, LLC**

P.O. Box 7468
Portland, Me 04112

UPPER ROOF FRAMING PLAN