

Prepared For:
119 Development, LLC
 P.O. Box 7468
 Portland, ME 04112

Consultant:
CRABTREE ENGINEERING
 278 AMELIA COVE
 COLLIERVILLE, TN 38017
 PLUMBING: bob@crabtreeeng.com

Architect:
ARCHETYPE architects
 48 Union Wharf Portland, Maine 04101
 (207) 772-6022 Fax (207) 772-4056

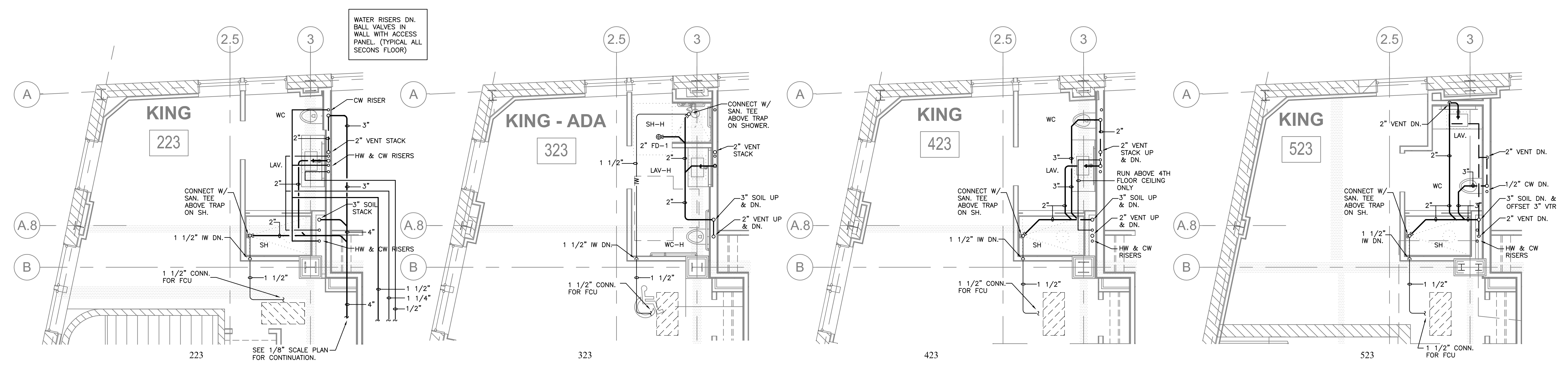
Project:
PRESS HOTEL
 390 CONGRESS STREET
 PORTLAND, ME 04101

Revisions:	Date	Description
1	13_07-01	30% Marriott Submission
2	13_09-09	60% Marriott Sub. & Pric.
3	13_10-14	Issue for Bid & Marriott Rev.

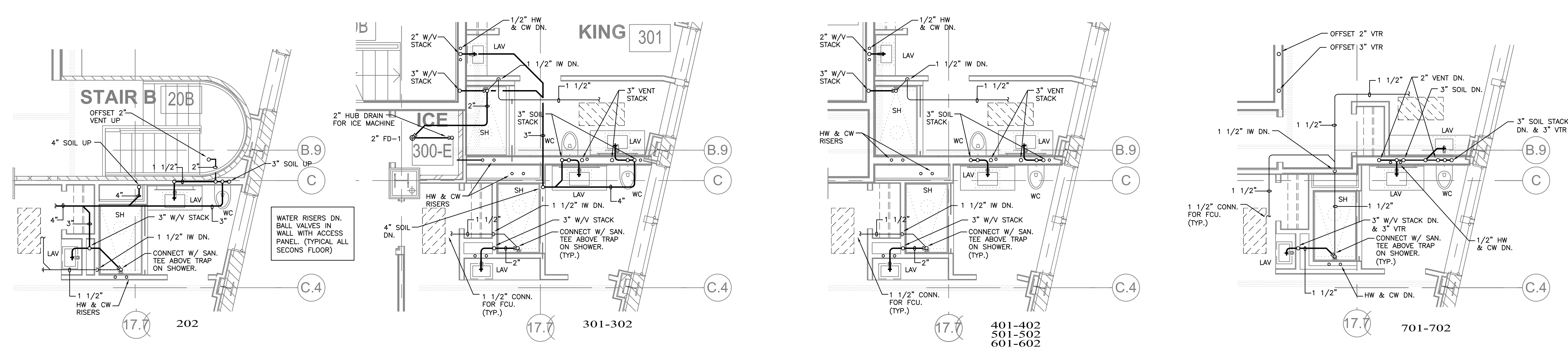
Date:
 13 October 2013
 Scale:
 1/4" = 1'-0"
TYPICAL GUESTROOMS PLUMBING

P7.01

NOTE:
 PROVIDE WCO AT BASE
 OF ALL WASTE STACKS.



1 TYPICAL UNITS - PLUMBING
 SCALE: 1/4"=1'-0"



2 TYPICAL UNITS - PLUMBING
 SCALE: 1/4"=1'-0"