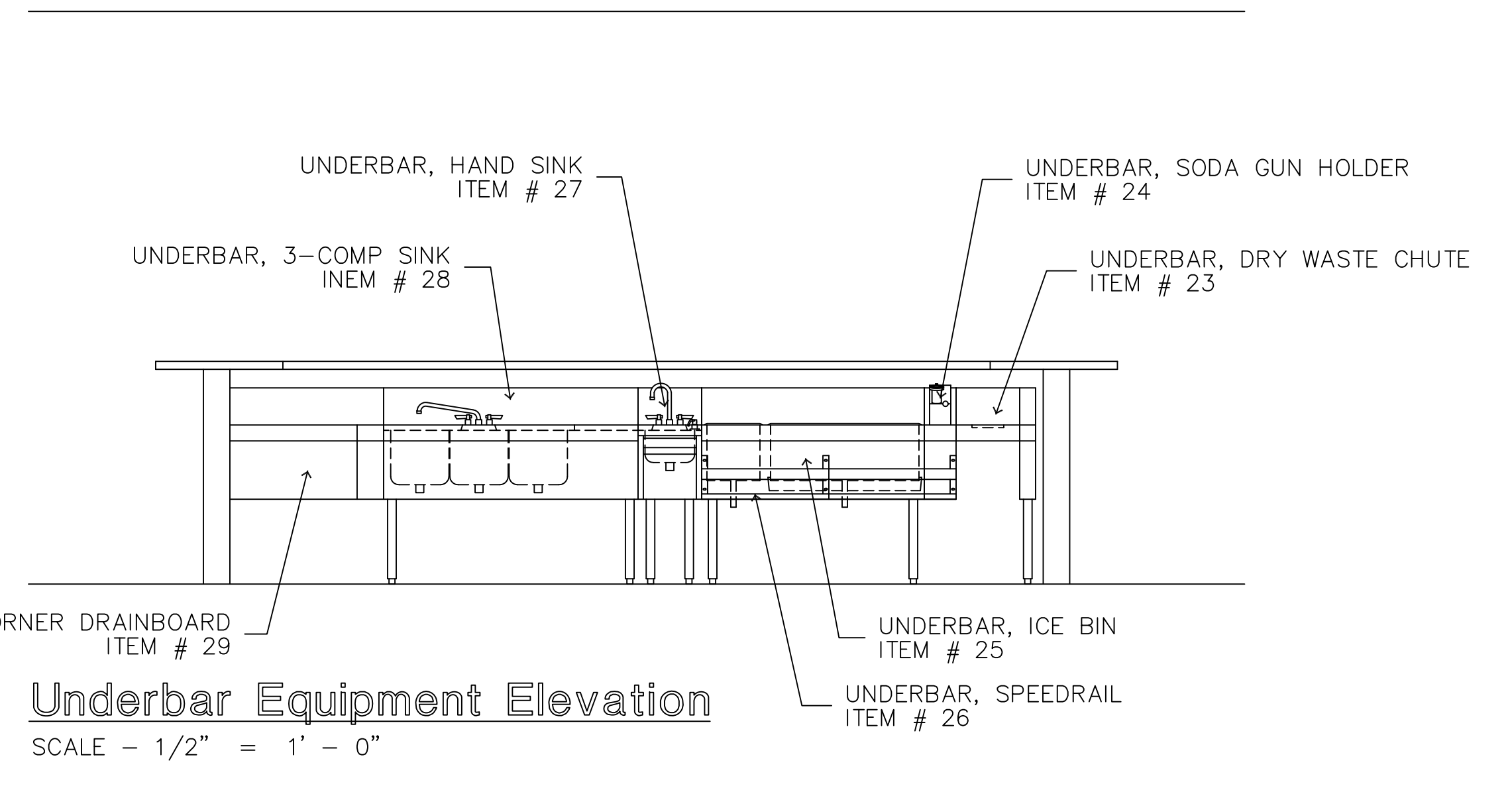


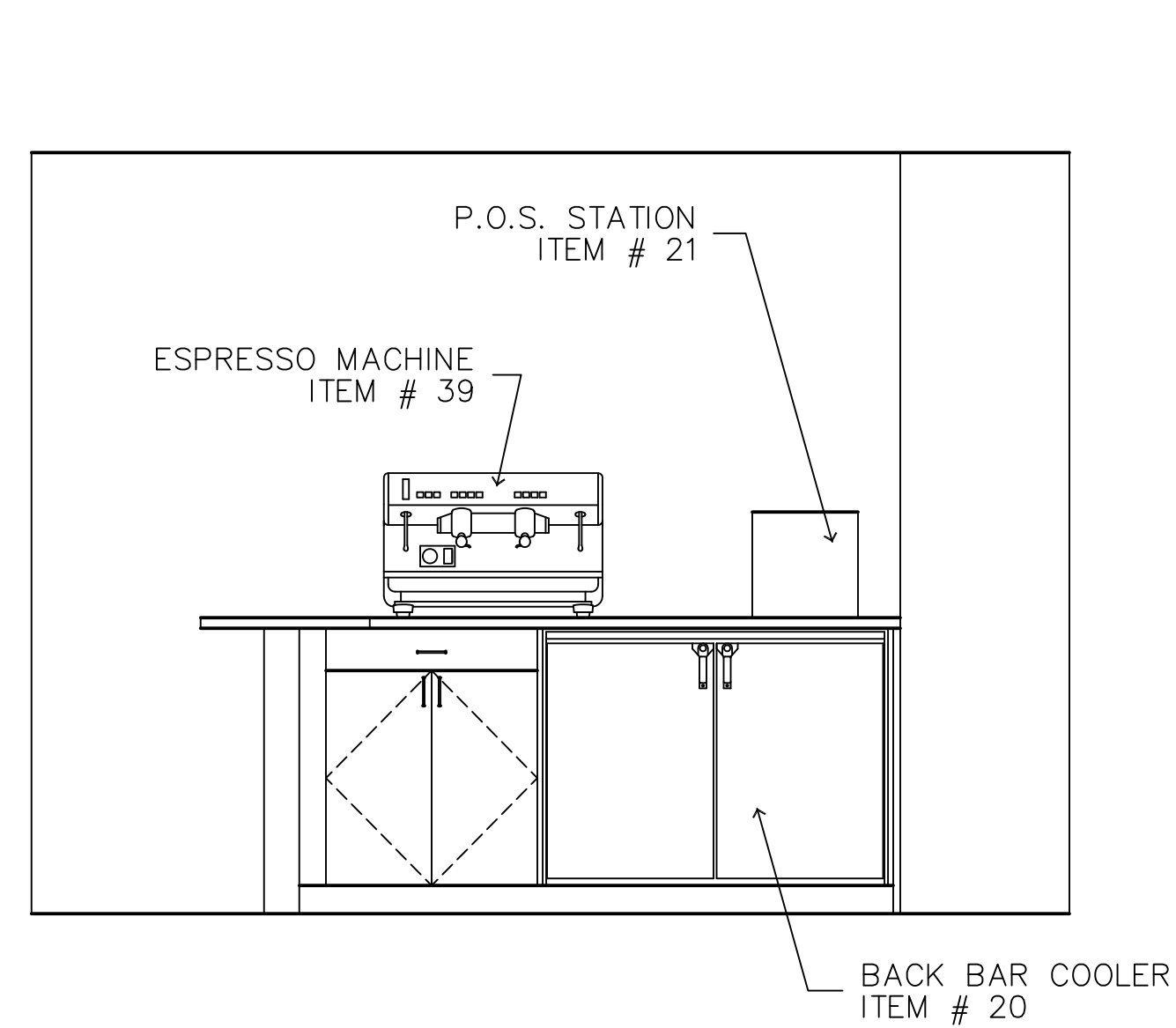
Expeditor Station and Underbar Equipment Elevation

SCALE - 1/2" = 1' - 0"



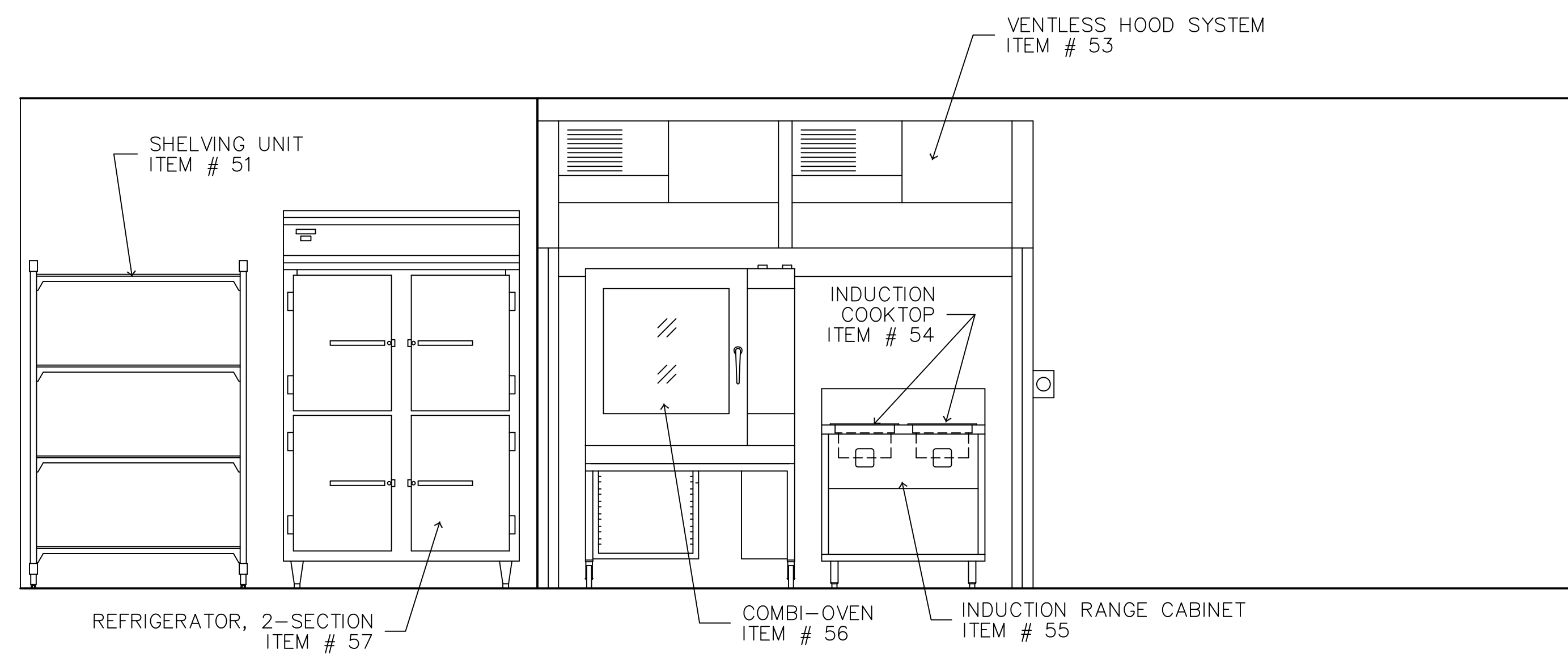
Underbar Equipment Elevation

SCALE - 1/2" = 1' - 0"



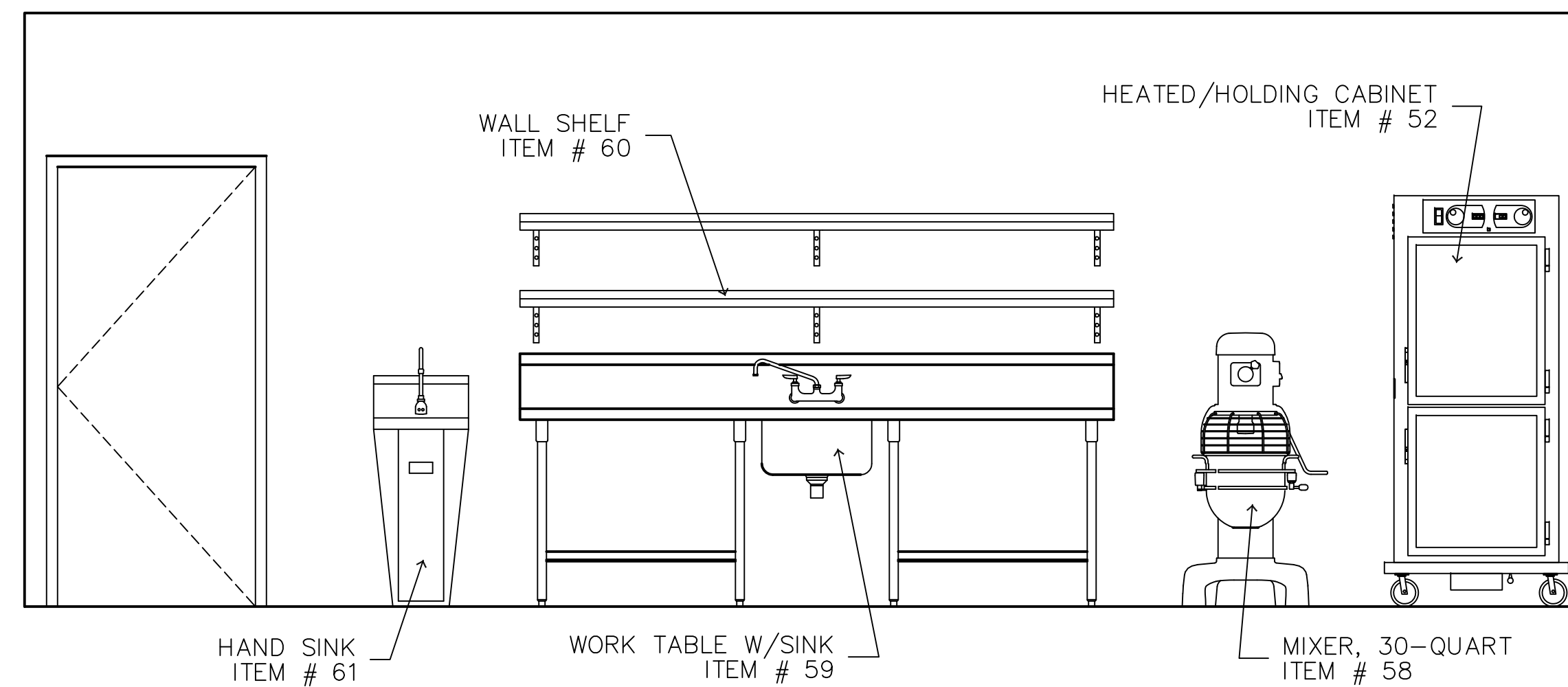
Back Bar Elevation

SCALE - 1/2" = 1' - 0"



Pantry Kitchen Cooking Wall Elevation

SCALE - 1/2" = 1' - 0"



Pantry Kitchen Prep Table Wall Elevation

SCALE - 1/2" = 1' - 0"

Prepared For:
119 Development, LLC

Consultant:

Architect:

Project:

Revisions:

Date:

Scale:

48 Union Wharf Portland, Maine 04101
(207) 772-6022 Fax (207) 772-4056

PRESS HOTEL
390 CONGRESS STREET
PORTLAND, ME 04101

1 13_07-01 30% Marriott Submission
2 13_09-09 60% Marriott Sub. & Pric.
3 13_10-14 Issue for Bid & Marriott Revv

10 OCT 13
**Foodservice Equipment
Details and Elevations**

FS-7