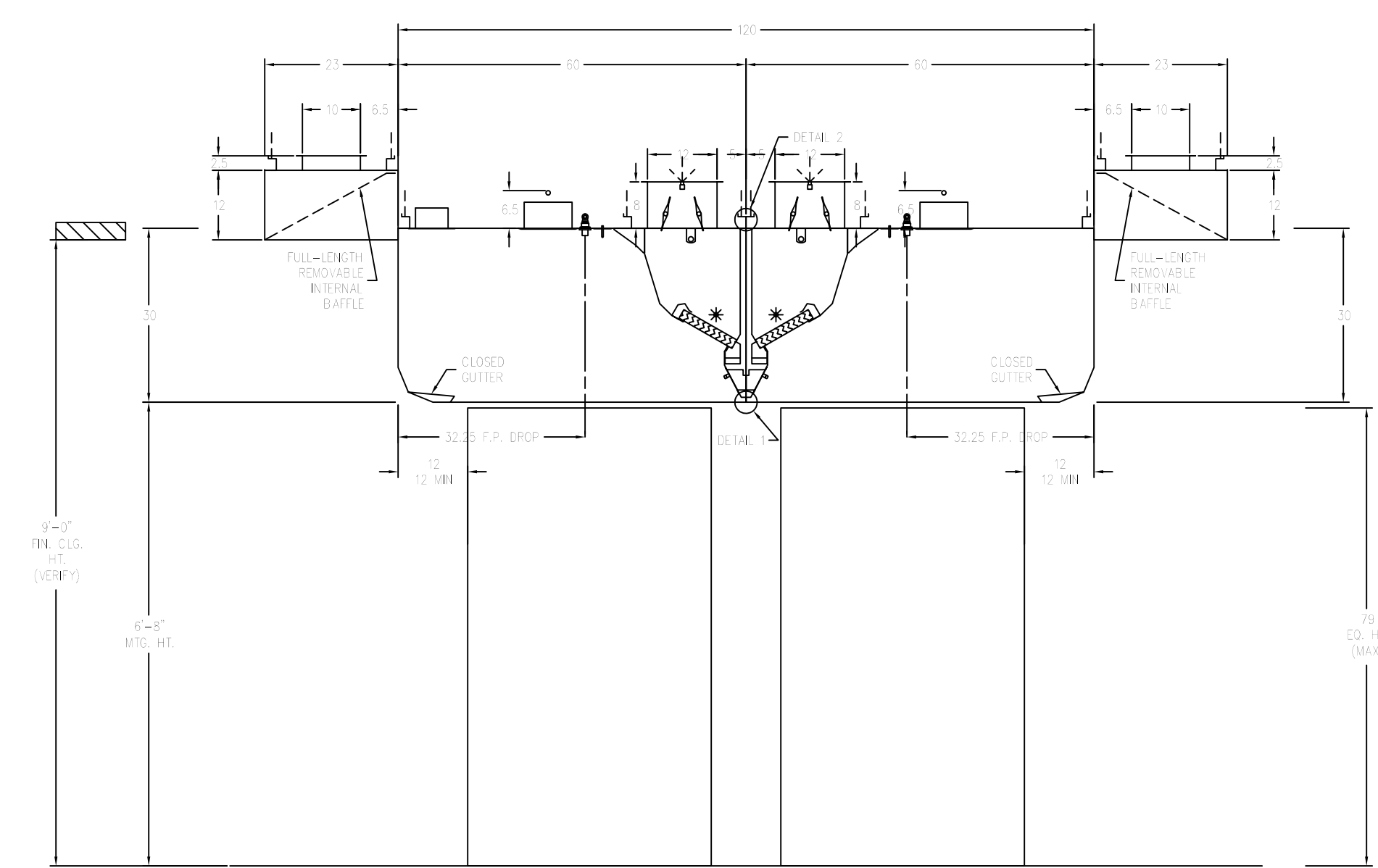
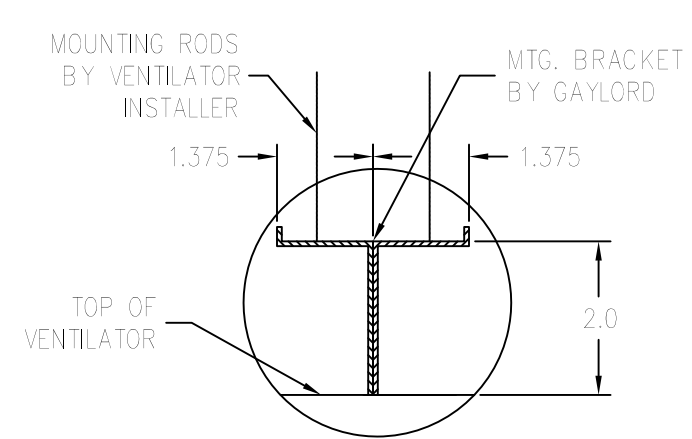


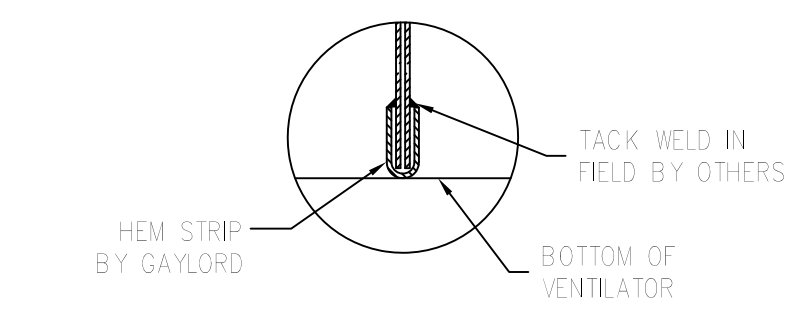
PLAN VIEW



SECTION VIEW



DETAIL 2



DETAIL 1

VENTILATOR NOTES (NON-WATER WASH)

- A) VERIFY ALL MAKES AND MODELS OF COOKING EQUIPMENT AND LOCATION IN RELATION TO VENTILATOR PRIOR TO FABRICATION.
- B) FRONT AND REAR MOUNTING BRACKETS HAVE #0.625" HOLES. BRACKETS TO BE SUPPORTED WITHIN 12" OF EACH END OF EACH SECTION, WITH A MAXIMUM SPAN OF 72" BETWEEN SUPPORTS.
- C) INTERIOR MOUNTING BRACKET(S) TO BE SUPPORTED WITHIN 36" OF EACH END OF EACH SECTION, WITH A MAXIMUM SPAN OF 72" BETWEEN SUPPORTS.

VERIFY EXHAUST & SUPPLY FANS

- A) VERIFY IF THIS HOOD IS EXHAUSTED ON ITS OWN EXHAUST FAN OR IS IT EXHAUSTED ON A COMMON EXHAUST FAN SHARED WITH OTHER HOODS.
- B) VERIFY NUMBER OF SUPPLY (MAKE-UP AIR) FANS.

PBW PLENUM FEATURES

- * REMOVABLE S/S PERFORATED PANEL(S)
- * ALL EXPOSED SURFACES ARE STAINLESS STEEL

LIGHTING NOTE

THIS LIGHTING IN THIS VENTILATOR IS DESIGNED TO PROVIDE 50 FOOT CANDLES OF LIGHT AT THE COOKING SURFACE. IF 50 FOOT CANDLES OF LIGHTING IS PROVIDED IN THE SURROUNDING SPACE.

DCV WIRING NOTES

- LOW VOLTAGE CABLE FROM RTD HUB BOX TO DCV CONTROL CABINET BY GAYLORD. JOB SITE CONNECTION BY ELECTRICAL CONTRACTOR.

VENTILATOR WIRING NOTES (NON-WATER WASH)

- * LIGHT FIXTURES, VAPOR PROOF, U.L. LISTED, FURNISHED, INSTALLED AND WIRED BY GAYLORD.
- (2) WIRES AND GROUND, FOR LIGHT(S), IN FLEXIBLE CONDUIT, EXTENDING 6" BEYOND END OF VENTILATOR BY GAYLORD. WIRED TO LIGHT SWITCH BY ELECTRICAL CONTRACTOR.
- (2) WIRES AND GROUND, FOR AUTOSTART THERMOSTA(S), IN FLEXIBLE CONDUIT FOR INTERCONNECTING VENTILATOR SECTIONS BY GAYLORD. DISCONNECTED FOR SHIPPING. JOB SITE RECONNECTION BY ELECTRICAL CONTRACTOR.
- (2) WIRES AND GROUND, FOR LIGHTS, IN FLEXIBLE CONDUIT FOR INTERCONNECTING VENTILATOR SECTIONS BY GAYLORD. DISCONNECTED FOR SHIPPING. JOB SITE RECONNECTION BY ELECTRICAL CONTRACTOR.

VERIFY CEILING CONDITIONS

EXACT FLOOR TO STRUCTURAL CEILING AND FLOOR TO FINISH CEILING HEIGHTS MUST BE VERIFIED FOR VENTILATOR DESIGN. INCORRECT HEIGHTS MAY CAUSE THE VENTILATOR TO NOT FIT PROPERLY OR COMPLY WITH CLEARANCES SPECIFIED IN APPLICABLE CODES AND STANDARDS. CAUTION: IF THE FINISHED CEILING IS HIGHER THAN THE TOP OF THE VENTILATOR, ENCLOSURE PANELS MAY BE REQUIRED.

FLOOR TO STRUCTURAL CEILING: _____ (VERIFY)
 FLOOR TO FINISH CEILING: _____ FIN_CELG

SHOP NOTES (T2)

- * DCV COMPONENTS

FIRE PROTECTION SYSTEM NOTES ANSUL R-102-ASEFC

FP-1) LOCATION OF FIRE PROTECTION NOZZLES MUST BE VERIFIED IN RELATION TO THE COOKING EQUIPMENT, PRIOR TO VENTILATOR FABRICATION.

COMPLETE SYSTEM INCLUDING APPLIANCE DROPS, SURFACE MOUNTED DETECTION BRACKETS, AND A STAINLESS STEEL CABINET ON THE END OF THE HOOD BY GAYLORD, WITH FIELD INSTALLATION BY GAYLORD.

ANSUL FIRE SYSTEM INSTALLED IN A STAINLESS STEEL CABINET ON THE END OF THE HOOD, PRE-PIPED CHEMICAL LINES INCLUDING DUCT, PLENUM AND APPLIANCE DROPS WITH ALL NOZZLES INSTALLED PER COOKING EQUIPMENT ARRANGEMENT ON GAYLORD APPROVED DRAWINGS. ALL EXPOSED PIPING CHROME PLATED OR CHROME SLEEVED. INCLUDES FACTORY PRE-PIPED DETECTION LINES WITH SURFACE MOUNTED DETECTOR BRACKETS. CHEMICAL AND DETECTION LINES INTERCONNECTED TO TANK(S). INSTALLATION BY CERTIFIED FACTORY INSTALLERS.

- INCLUDES:
- * TANK(S) AND RELEASE ASSEMBLY(S)
 - * CHEMICAL
 - * DETECTOR CABLE
 - * FUSIBLE LINKS WITH LINKAGE
 - * EXPELLANT GAS CARTRIDGE(S) (PROVIDED BY FIRE PROTECTION INSTALLER)
 - * (1) REMOTE MANUAL PULL STATION
 - * (1) GAS VALVE PER FIRE SYSTEM WITH A MAXIMUM SIZE OF 2-1/2"
 - * (1) MANUAL RESET RELAY PER FIRE SYSTEM, IF REQUIRED
 - * PLANS AND PERMITS (ON JOBS INSIDE OF THE UNITED STATES AND NON-MARINE JOBS)
 - * PARTS AND INSTALLATION OF CHEMICAL AND DETECTION LINES FROM TANK(S) TO CONNECTION POINTS ON HOOD
 - * INSTALLATION OF TANKS AND RELATED COMPONENTS
 - * INSTALLATION OF DETECTOR CABLE AND FUSIBLE LINKS
 - * INSTALLATION OF REMOTE MANUAL PULL STATION
 - * JOB SITE REPOSITIONING OF NOZZLES AS PER GAYLORD APPROVED DRAWINGS, IF REQUIRED TO MEET SYSTEM DESIGN REQUIREMENTS
 - * TRIP TEST AND CERTIFICATION (ON JOBS INSIDE OF THE UNITED STATES AND NON-MARINE JOBS)

- EXCLUDES:
- * UNION LABOR AND PREVAILING WAGE
 - * INSTALLATION OF GAS VALVE(S)
 - * ELECTRICAL DISCONNECTS
 - * PARTS AND LABOR FOR ANY ELECTRICAL INTERCONNECTIONS
 - * JOB SITE REPOSITIONING OF NOZZLES IF COOKING EQUIPMENT IS NOT INSTALLED PER GAYLORD APPROVED DRAWINGS
 - * PLANS AND PERMITS ON JOBS OUTSIDE OF THE UNITED STATES AND ON MARINE JOBS
 - * TRIP TEST AND CERTIFICATION ON JOBS OUTSIDE OF THE UNITED STATES AND ON MARINE JOBS
 - * HANDHELD FIRE EXTINGUISHER(S)
 - * INSPECTION AND SERVICING

HOOD INFORMATION													
ITEM NO.	MODEL	SIZE			S.P. TEST PORT ("W.G.)	AIR FLOW REQUIREMENTS						WEIGHT (LBS)	
		L (ft)	D (ft)	H (ft)		DUCT COLLAR			SIZE				
						DUCT TYPE	QTY	DUCT S.P. ("W.G.)	CFM (EACH)	L (ft)	D (ft)		
H-1A	ELX	132	60	30	0.49	EXHAUST	1	0.94	2783	23	12	880	
H-1B	ELX	132	60	30	0.31	EXHAUST	1	0.94	2156	18	12	880	
PBW-1A	PBW	132	23	12		SUPPLY	2	0.11	835	14	10	165	
PBW-1B	PBW	132	23	12		SUPPLY	2	0.10	647	11	10	165	
TOTAL HOOD S.P.: 0.94" W.C.										TOTAL EXHAUST: 4939 CFM		TOTAL WEIGHT: 2090	
TOTAL SUPPLY: 2964 CFM													

Prepared For:
119 Development, LLC

Consultant:
 Architect:
 48 Union Wharf Portland, Maine 04101
 (207) 772-6022 Fax (207) 772-4056

Project:
PRESS HOTEL
 390 CONGRESS STREET
 PORTLAND, ME 04101

Revisions:
 1 13_07-01 30% Marriott Submission
 2 13_09-09 60% Marriott Sub. & Pric.
 3 13_10-14 Issue for Bid & Marriott Revw

Date: 10 OCT 13
 Scale: 1/2" = 1'-0"
Foodservice Equipment Exhaust Hood Detail

FS-5