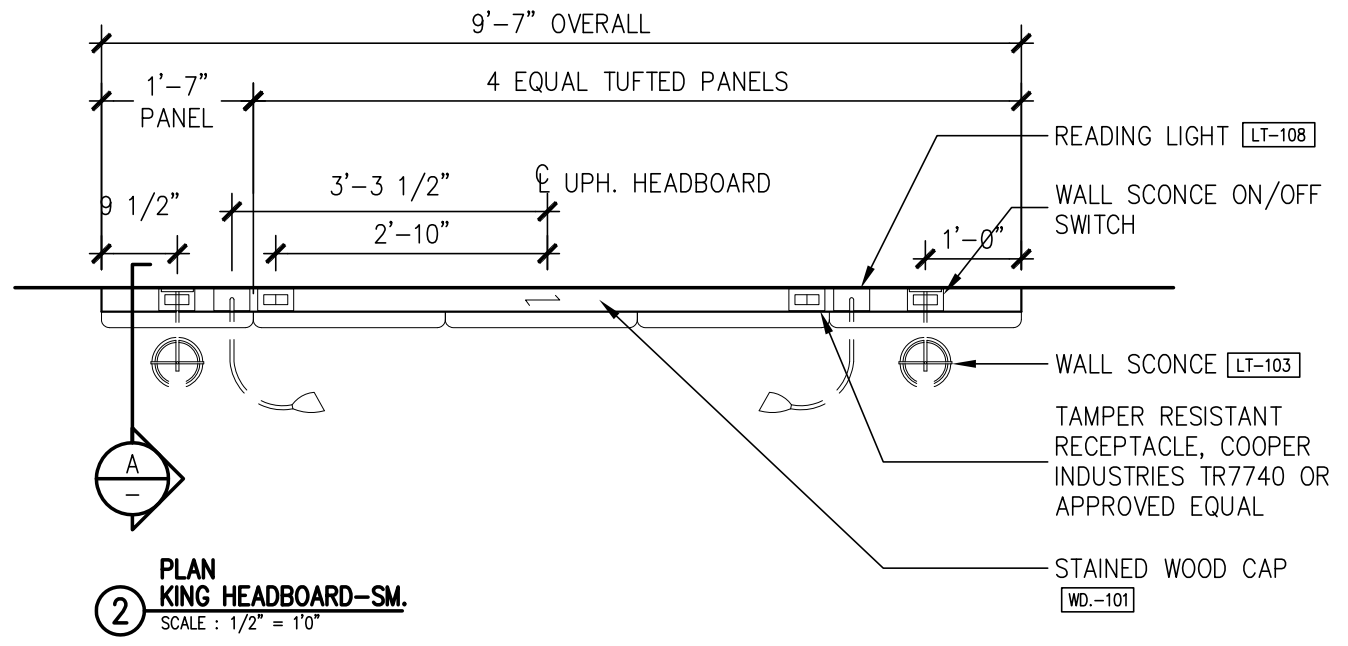
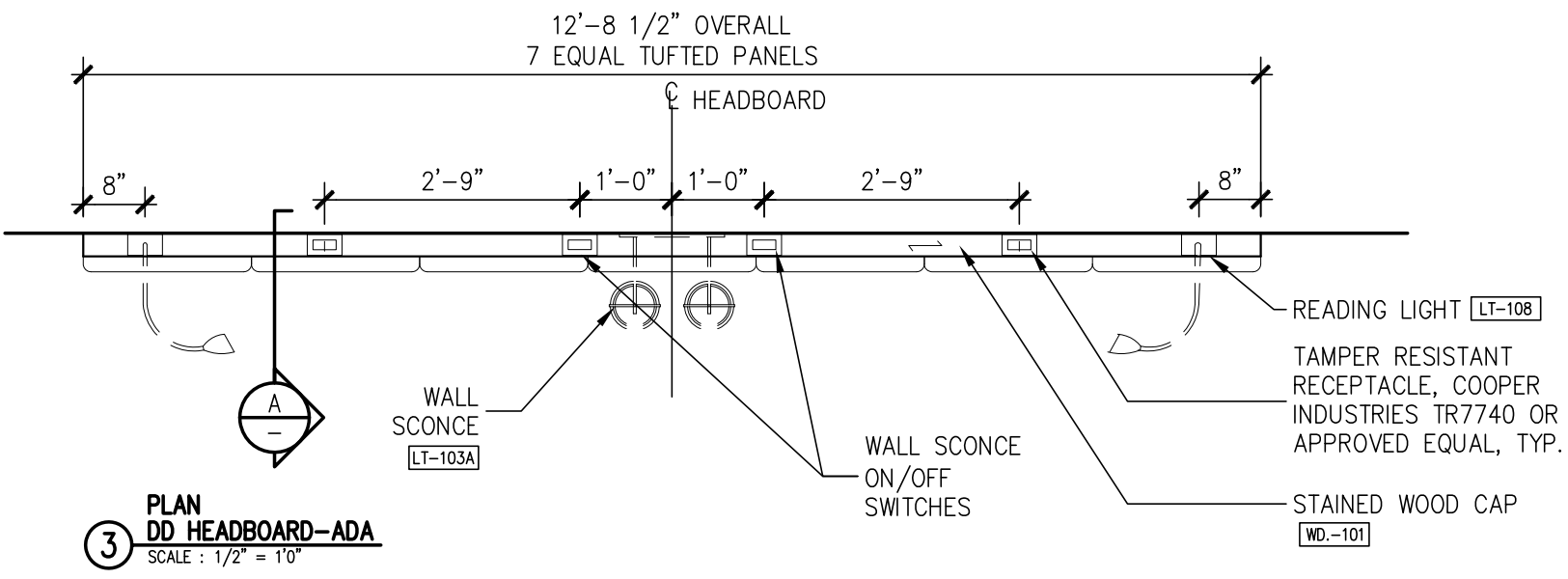


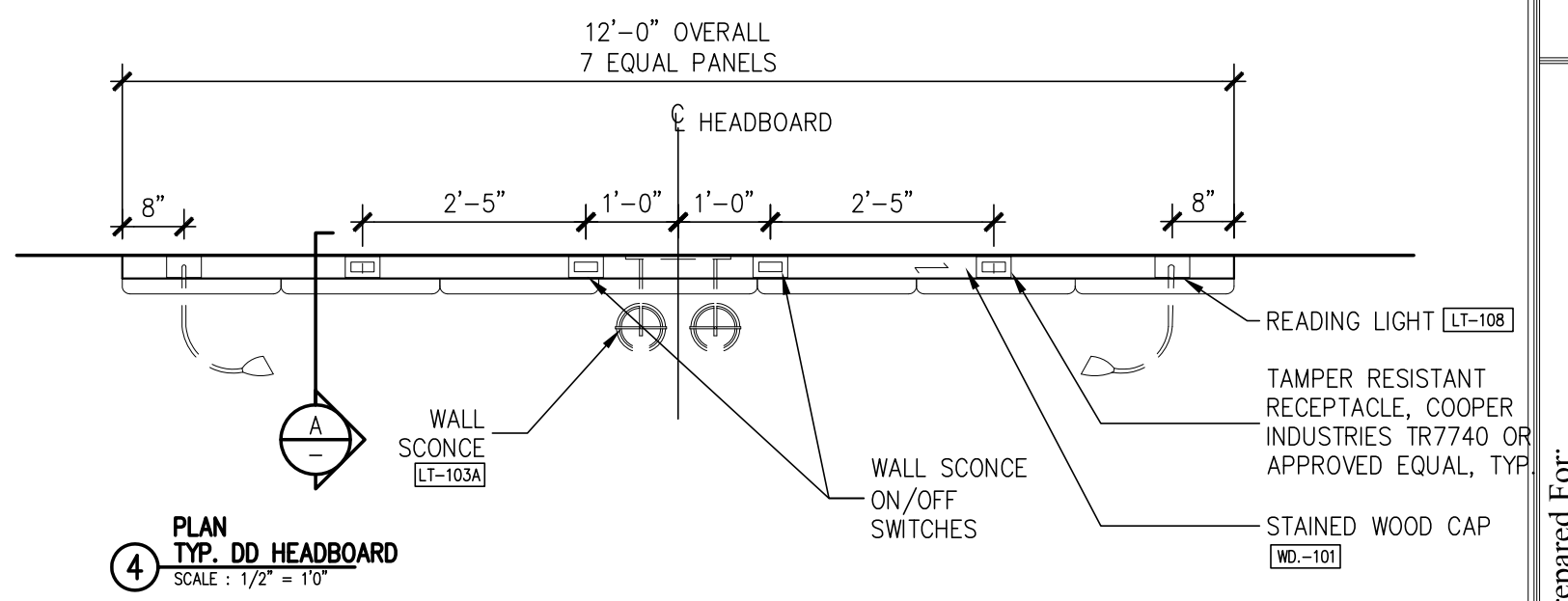
1 PLAN KING HEADBOARD-LG
SCALE: 1/2" = 1'-0"



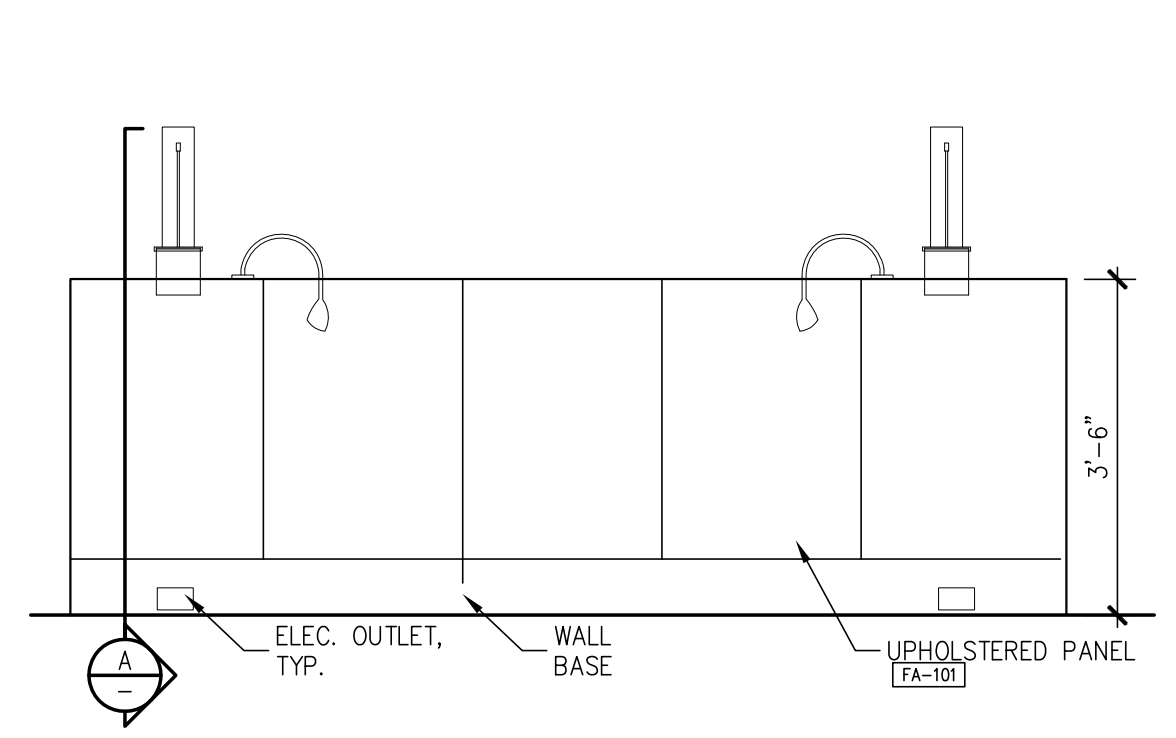
2 PLAN KING HEADBOARD-SM
SCALE: 1/2" = 1'-0"



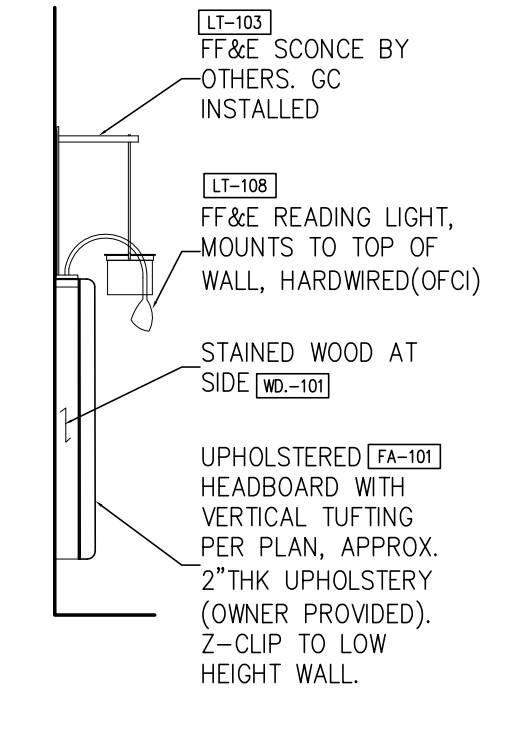
3 PLAN DD HEADBOARD-ADA
SCALE: 1/2" = 1'-0"



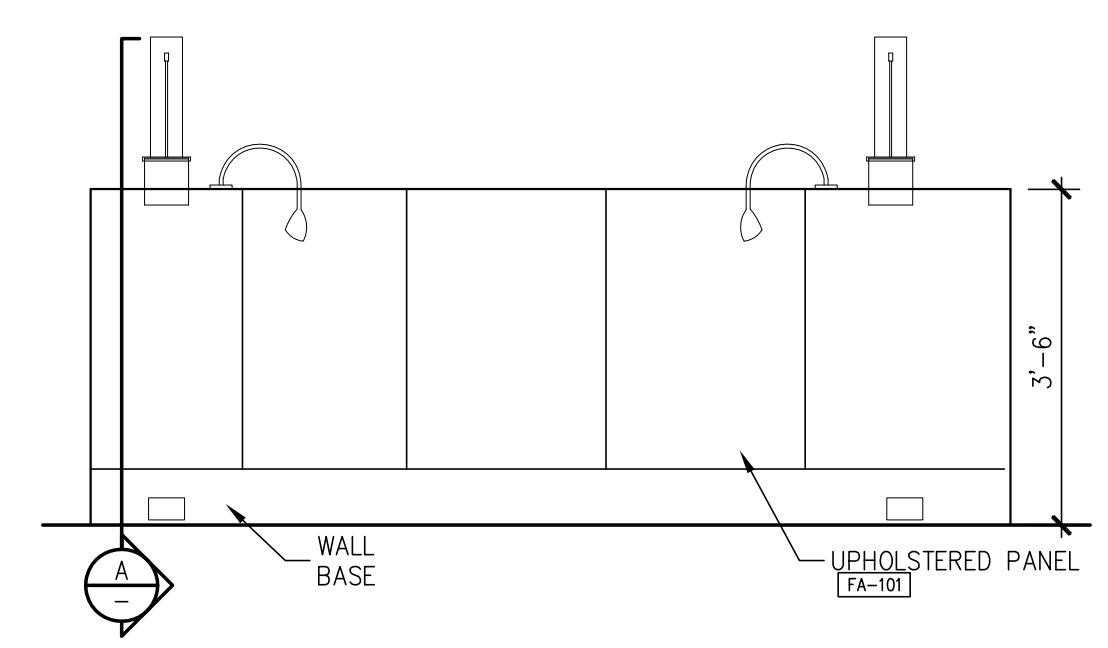
4 PLAN TYP. DD HEADBOARD
SCALE: 1/2" = 1'-0"



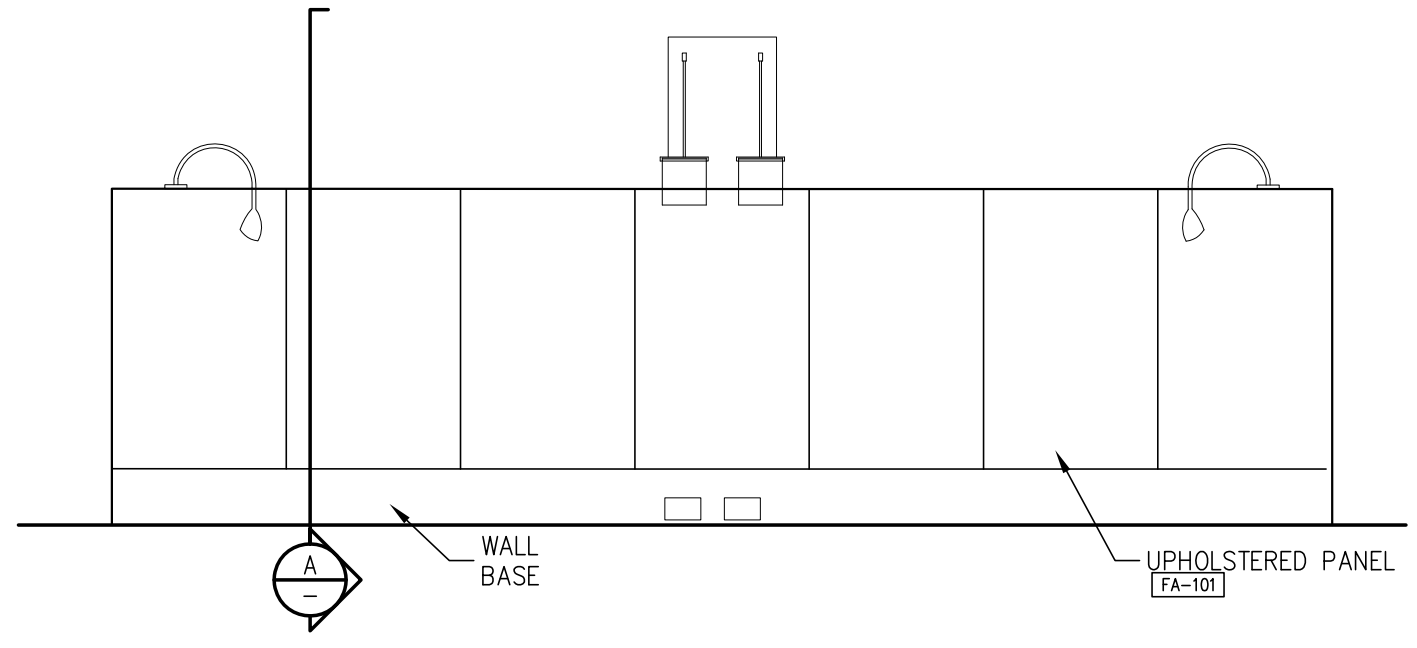
5 ELEVATION-FRONT KING HEADBOARD
SCALE: 1/2" = 1'-0"



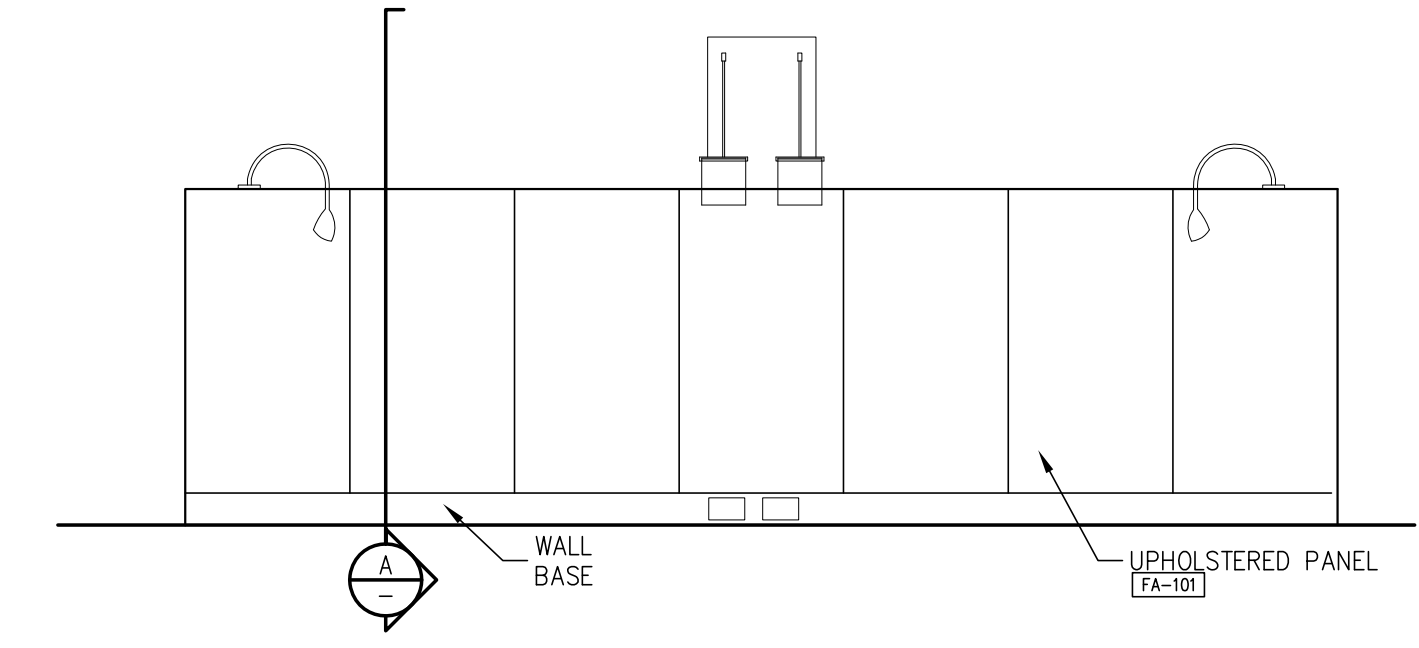
6 ELEVATION-SIDE (TYP.) HEADBOARD
SCALE: 1/2" = 1'-0"



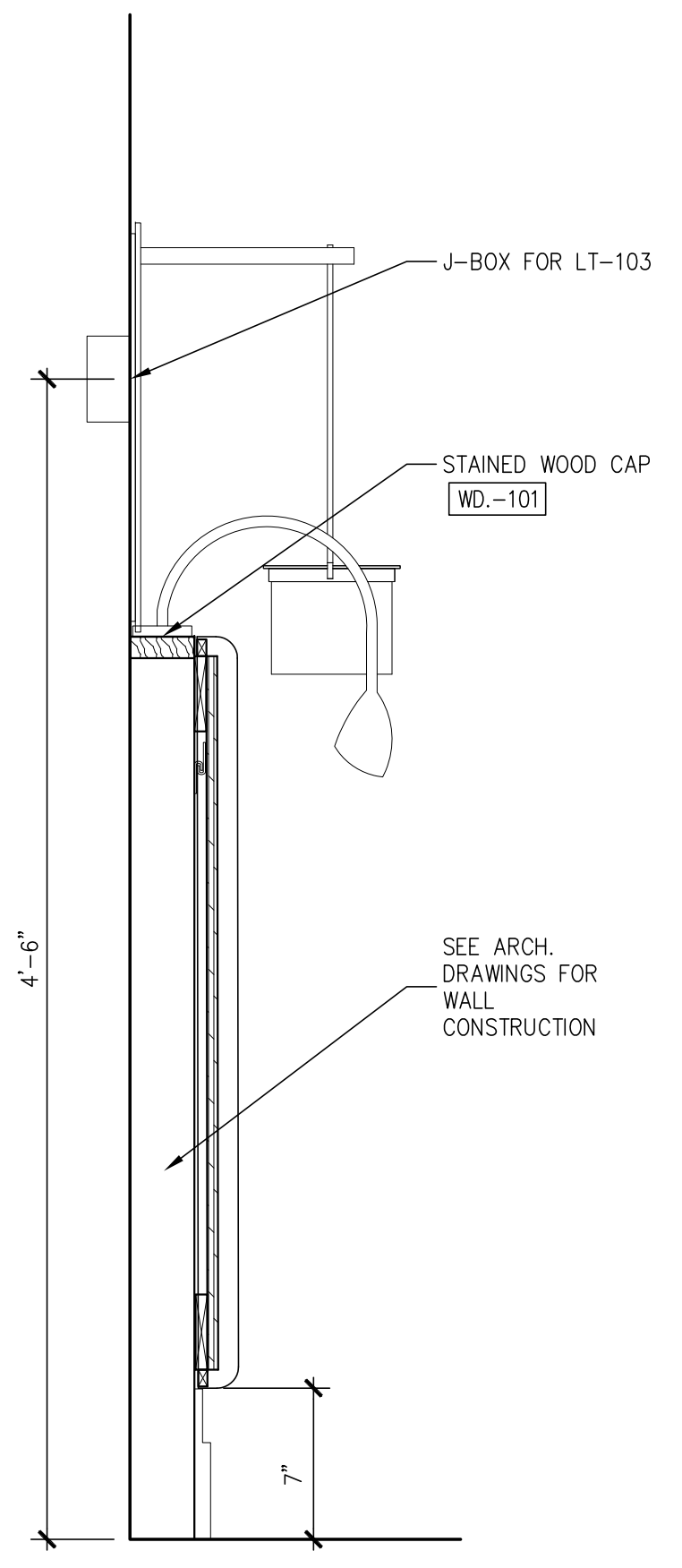
7 ELEVATION-FRONT KING HEADBOARD
SCALE: 1/2" = 1'-0"



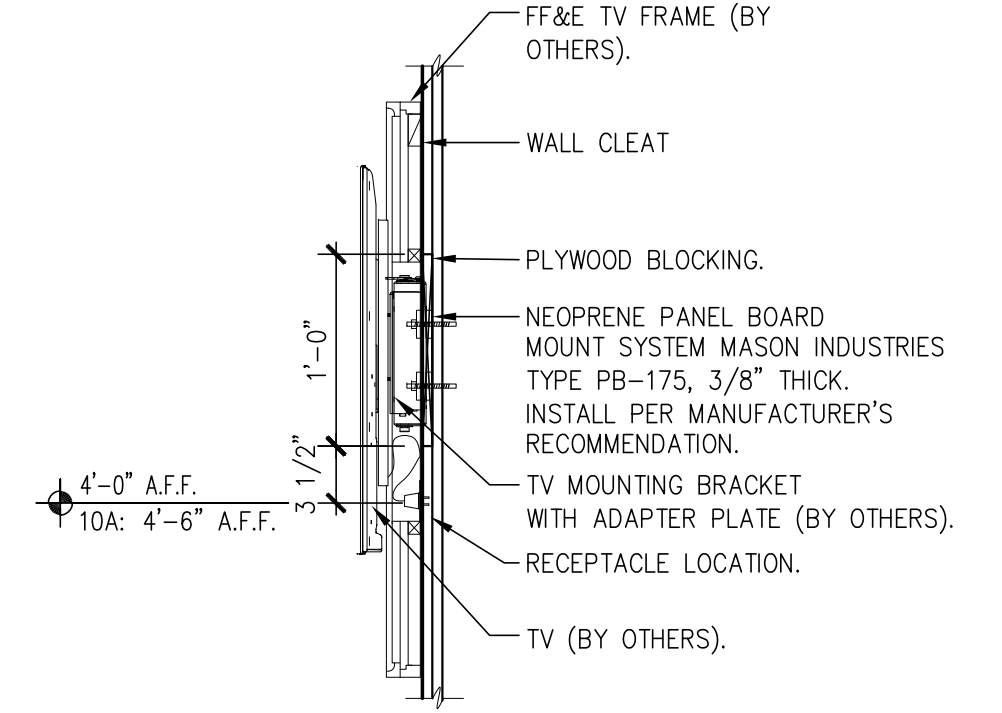
8 ELEVATION-FRONT DD-ADA HEADBOARD
SCALE: 1/2" = 1'-0"



9 ELEVATION-FRONT TYP. DD HEADBOARD
SCALE: 1/2" = 1'-0"

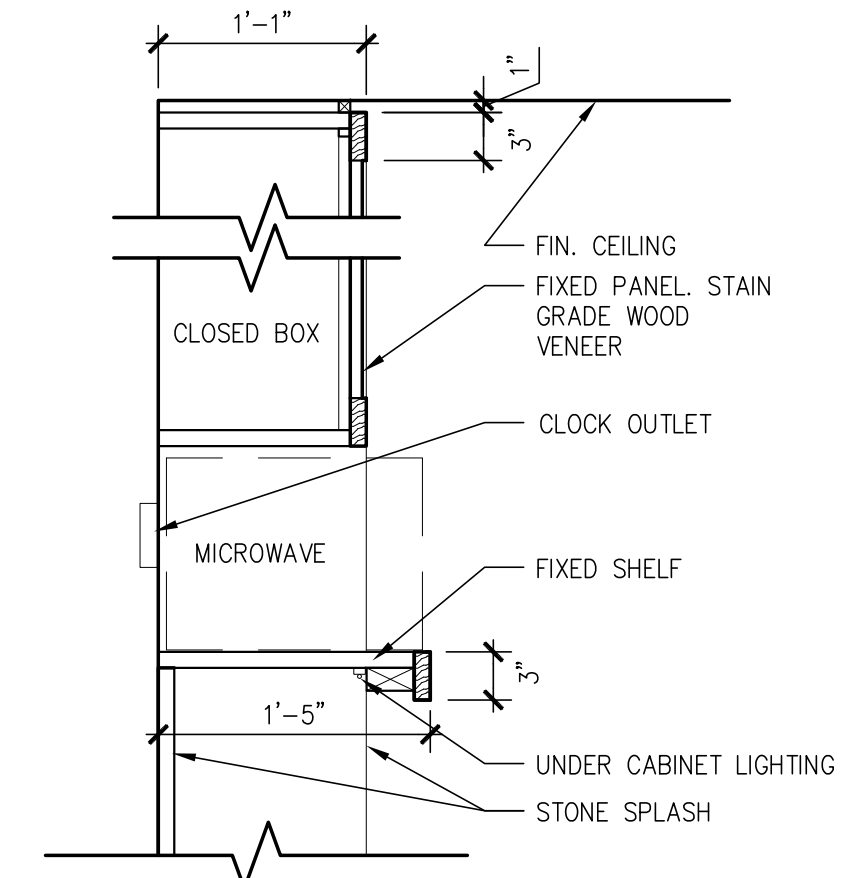


A SECTION TALL PANEL HEADBOARD
SCALE: 1/2" = 1'-0"

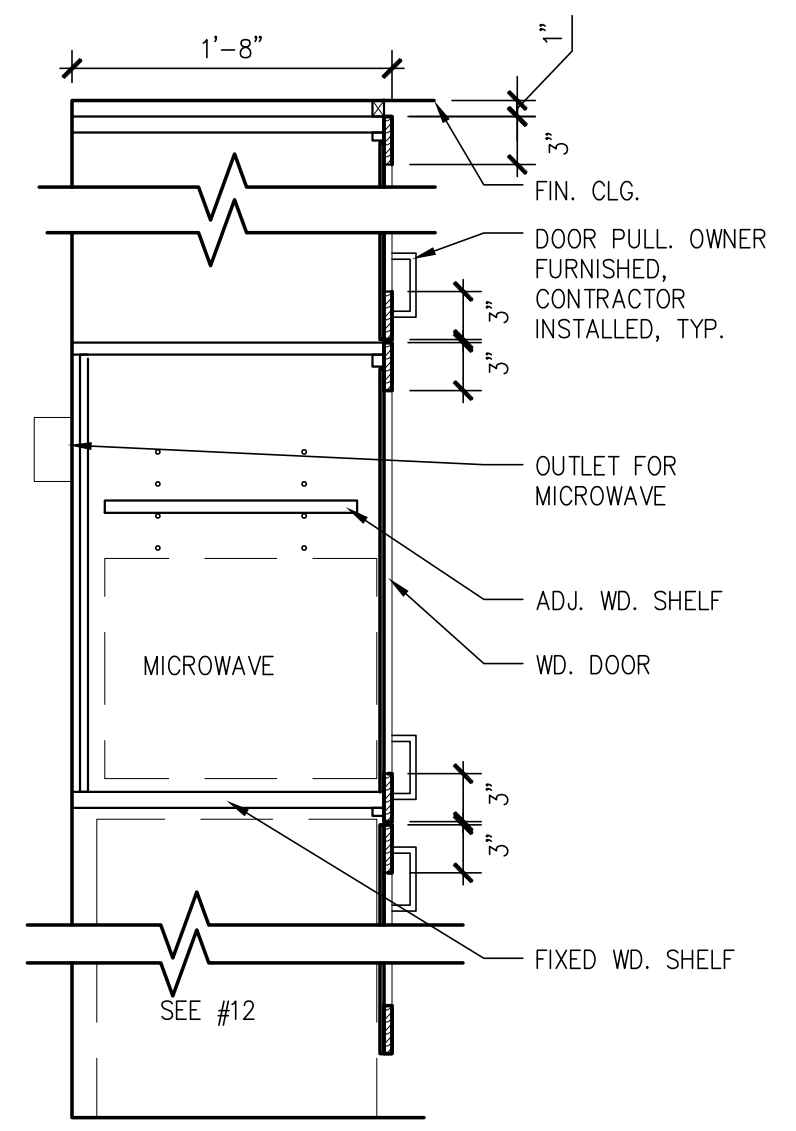


10 TV FRAME SECTION
SCALE: 1" = 1'-0"

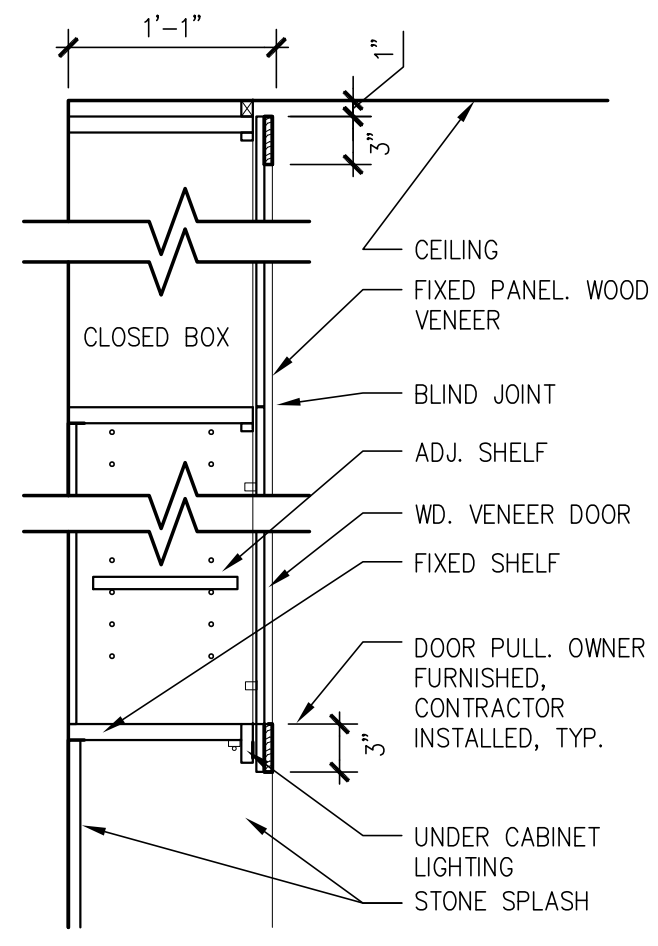
10A TV FRAME SECTION
SCALE: 1" = 1'-0"



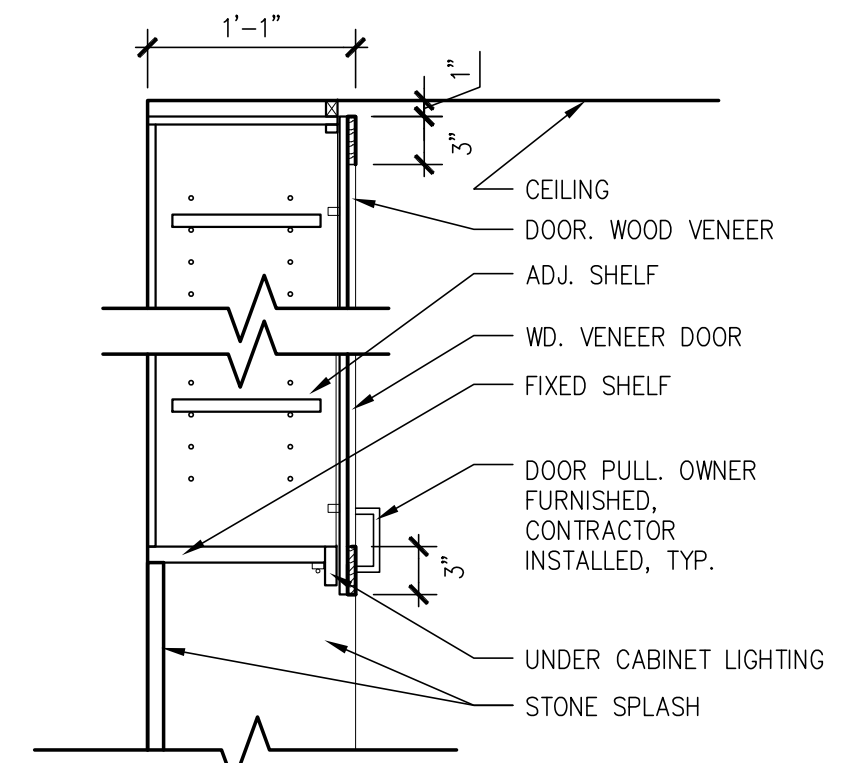
11 SECTION UPPER CABINET W/MICROWAVE
SCALE: 1" = 1'-0"



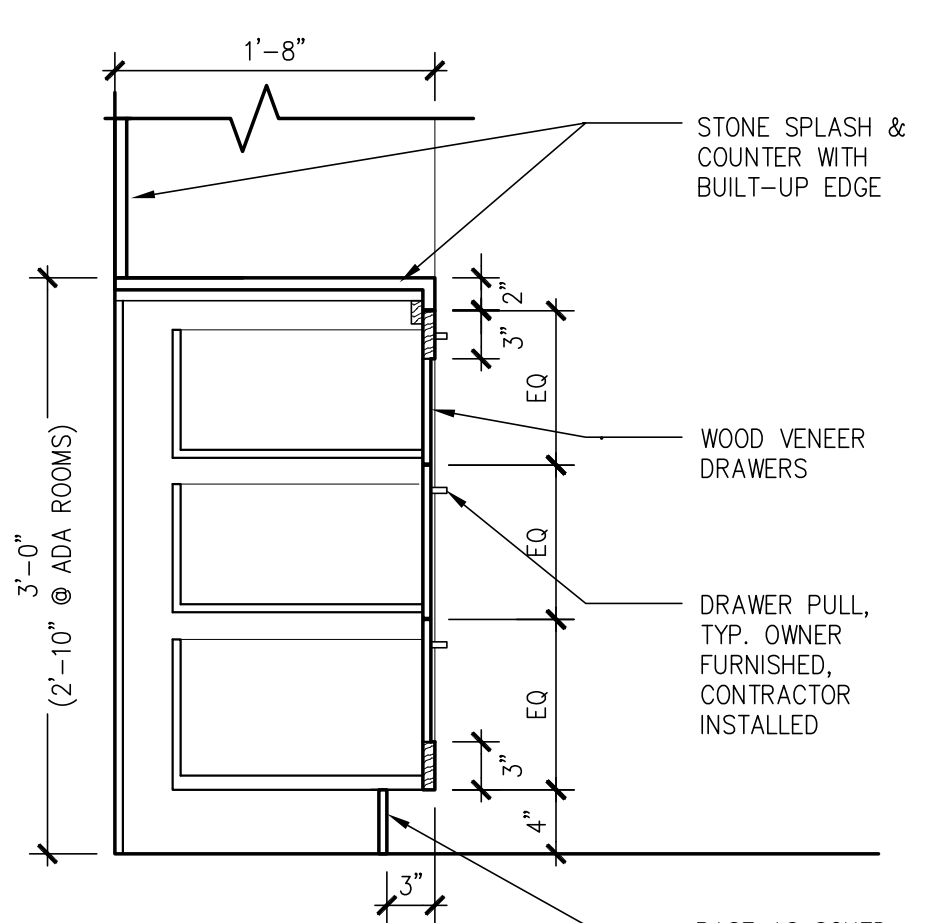
12 SECTION ADA UPPER CAB. W/ MW
SCALE: 1" = 1'-0"



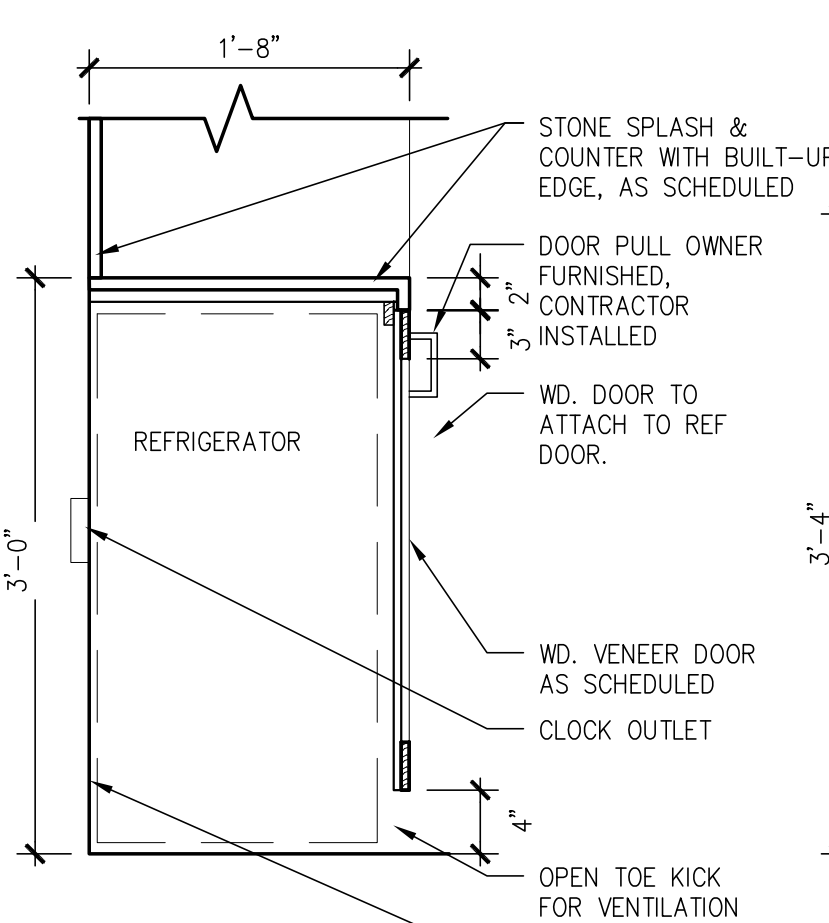
13 SECTION UPPER CABINET
SCALE: 1" = 1'-0"



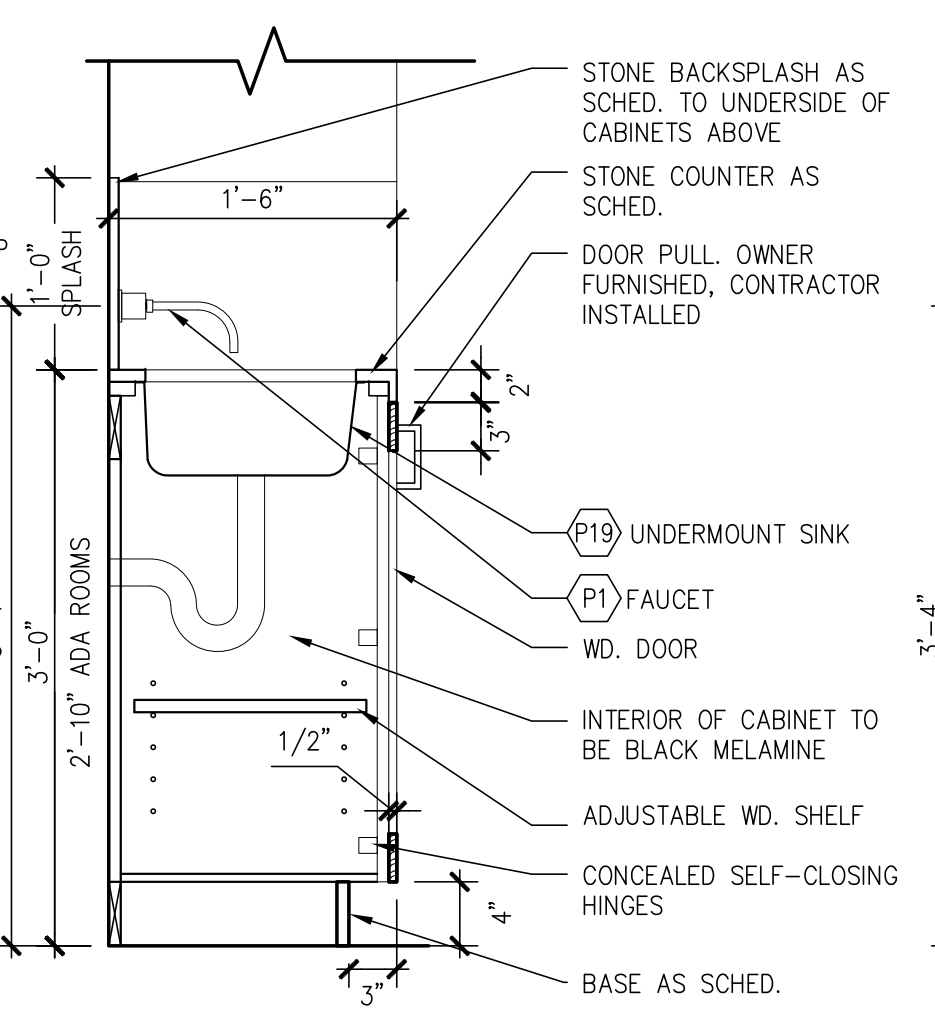
14 SECTION UPPER CABINET
SCALE: 1" = 1'-0"



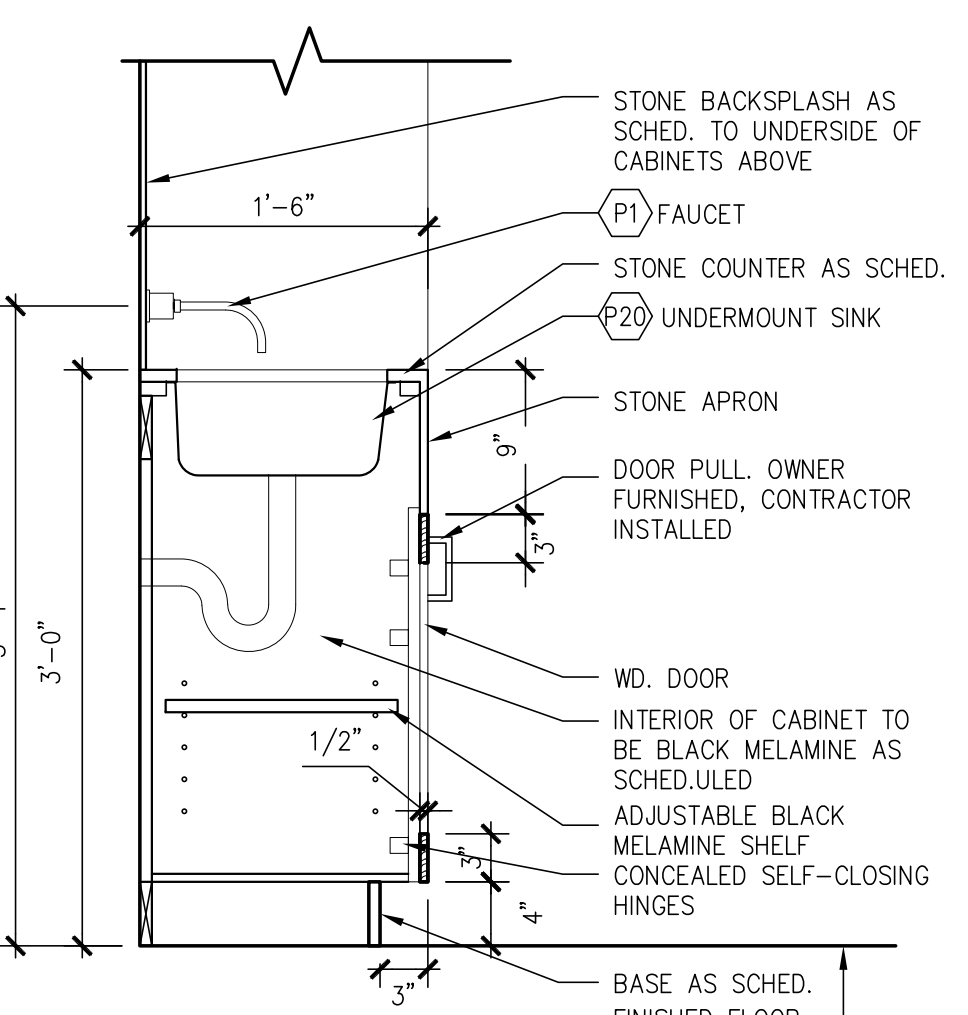
15 SECTION DRAWERS
SCALE: 1" = 1'-0"



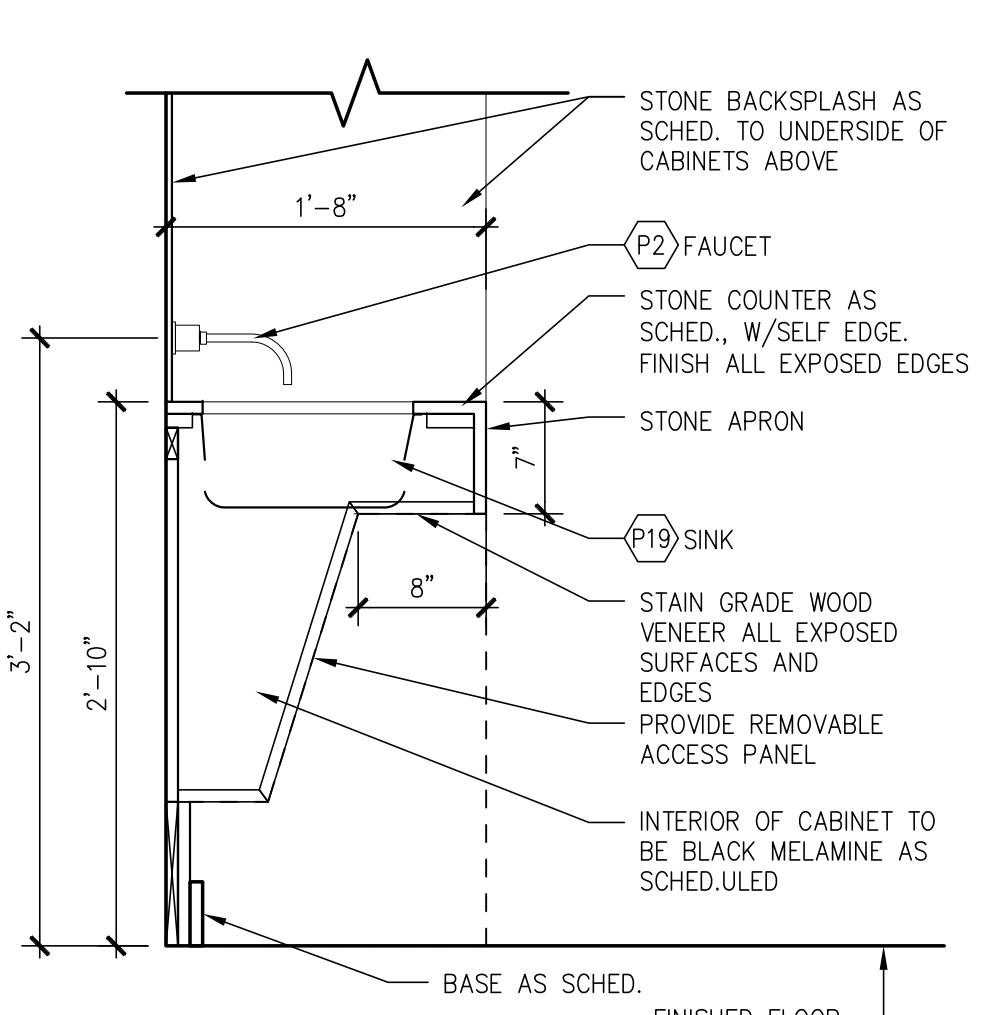
16 SECTION REFRIGERATOR
SCALE: 1" = 1'-0"



17 SECTION WETBARS
SCALE: 1" = 1'-0"



18 SECTION 1 BR KITCHENETTES
SCALE: 1" = 1'-0"



19 SECTION CABINET SINK - ADA
SCALE: 1" = 1'-0"

Prepared For: **119 Development, LLC**
P.O. Box 7468
Portland, ME 04112

Consultant: **STONEHILL & TAYLOR ARCHITECTS AND PLANNERS**
31 W. 27th Street New York, NY 10001
(212) 226-8898 Fax (212) 941-1874

Architect: **ARCHETYPE architects**
48 Union Wharf Portland, Maine 04101
(207) 772-6022 Fax (207) 772-4056

Project: **Press Hotel**
119 Exchange St.
Portland, ME 04101

Revisions:
1 13 07-01 30% Marriott Submission
2 23 09-09 60% Marriott Sub. & Pric
3 13 10-14 Issue for Bid & Marriott Rev.

Date: **06 SEPT, 2013** Scale: **1/2" = 1'-0"**
INTERIOR GUESTROOM DETAILS

ID-8.03