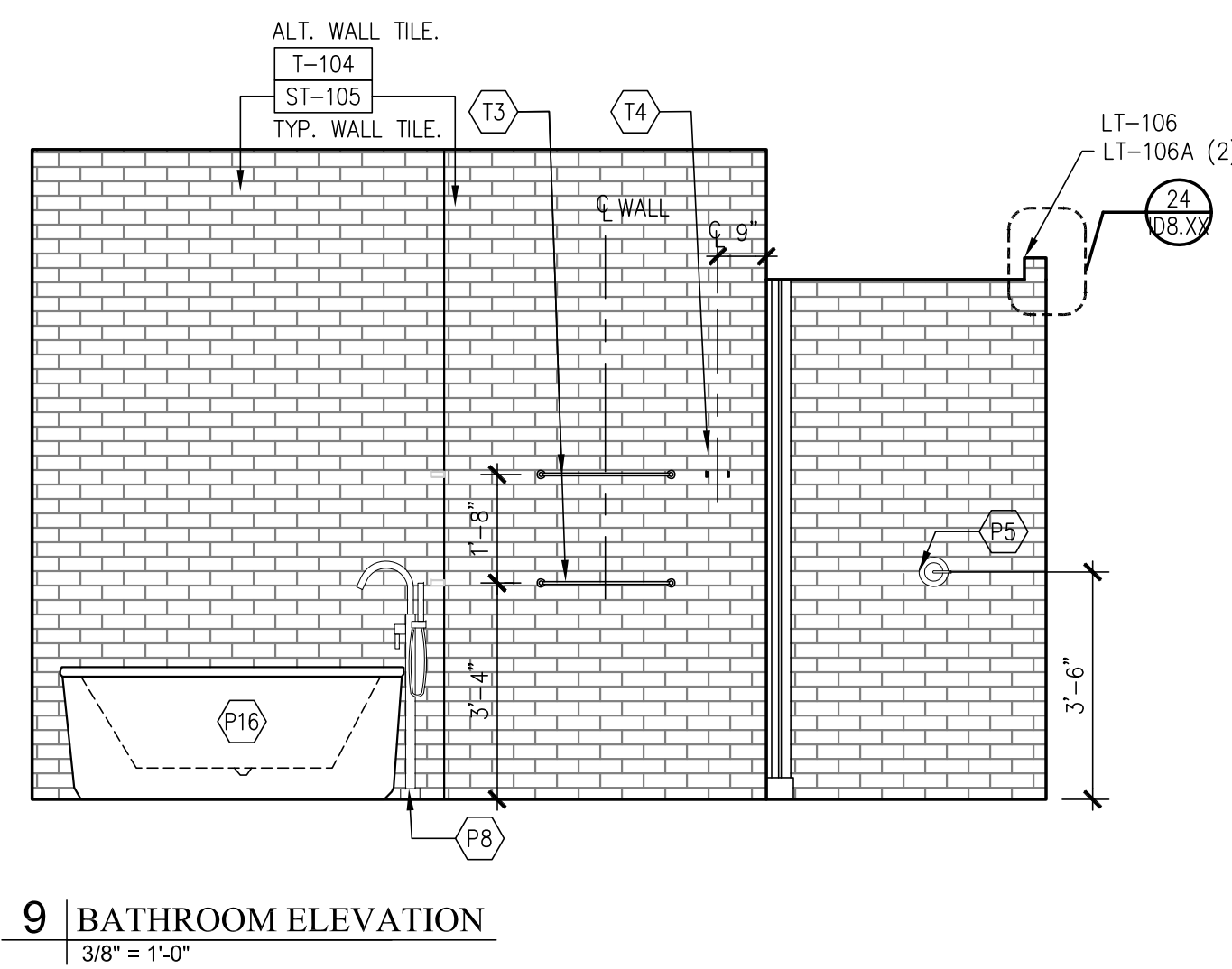
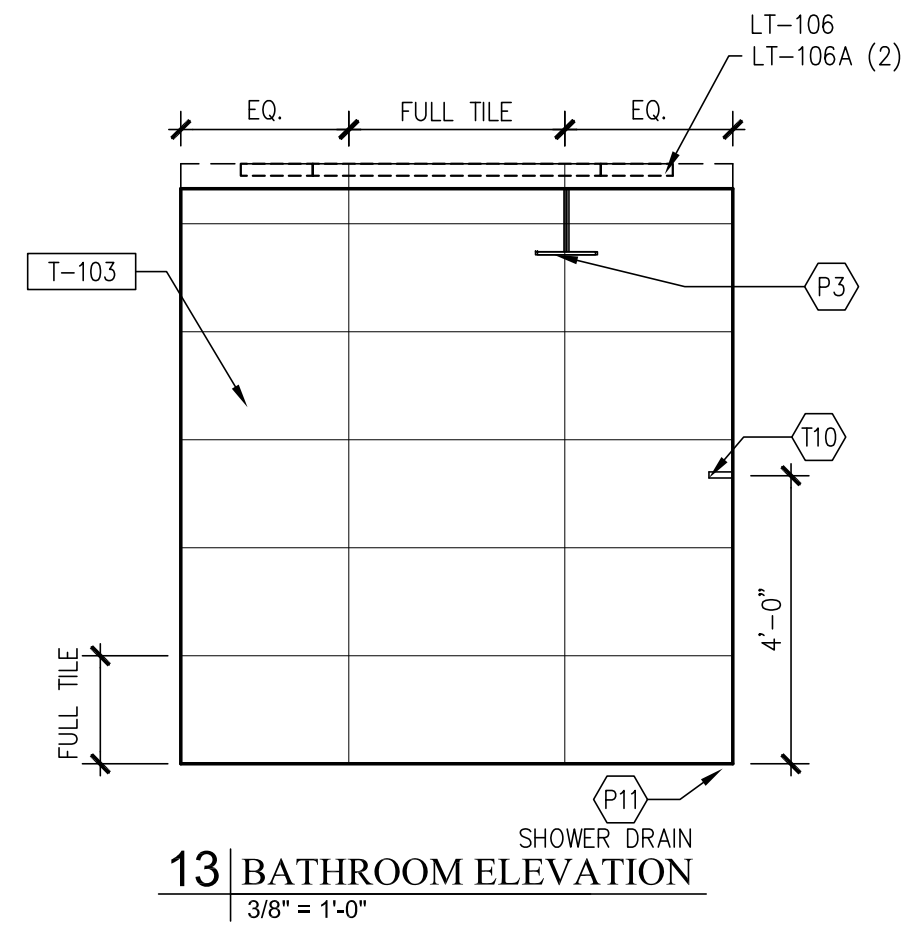


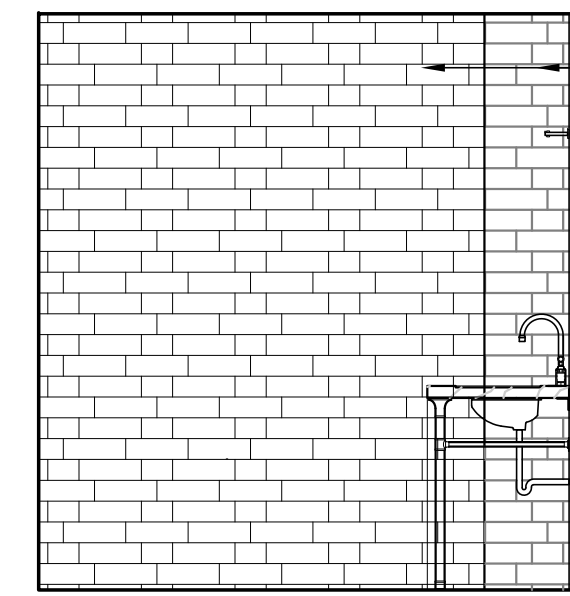
10 BATHROOM ELEVATION
3/8" = 1'-0"



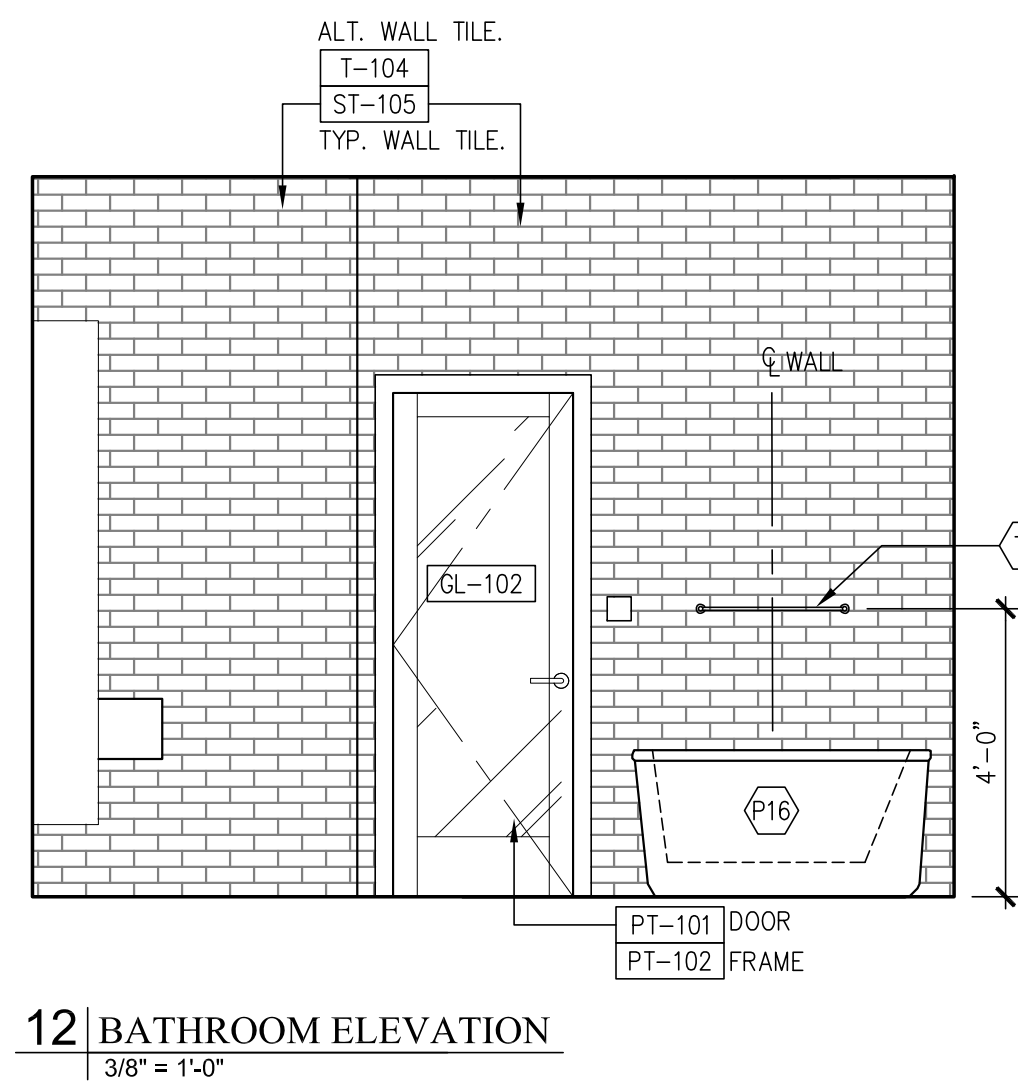
9 BATHROOM ELEVATION
3/8" = 1'-0"



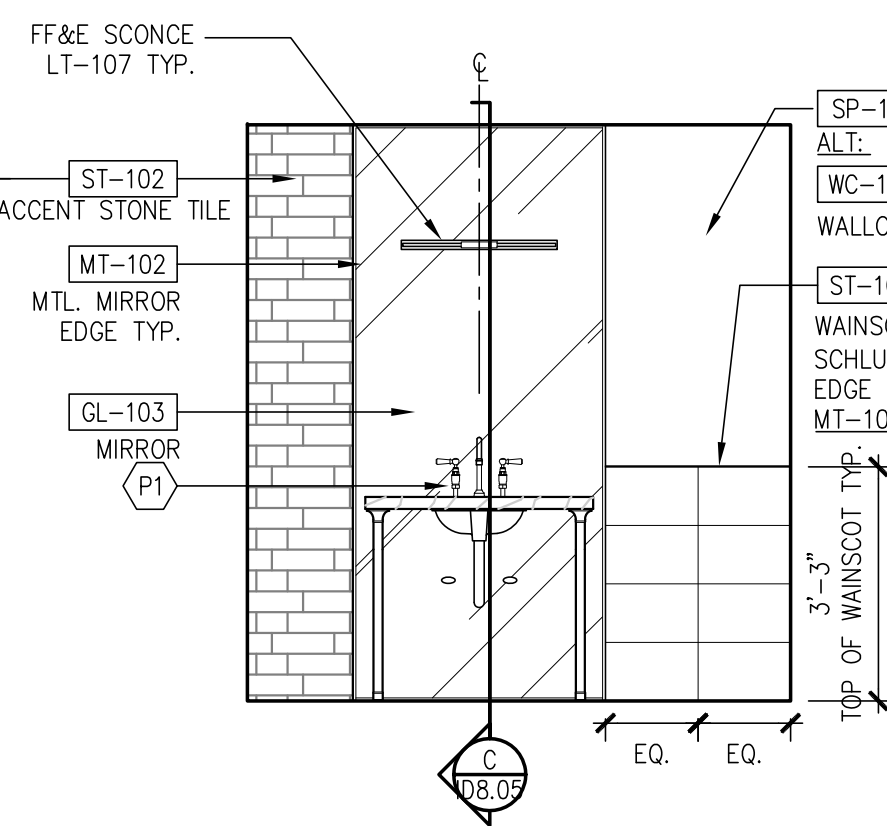
13 BATHROOM ELEVATION
3/8" = 1'-0"



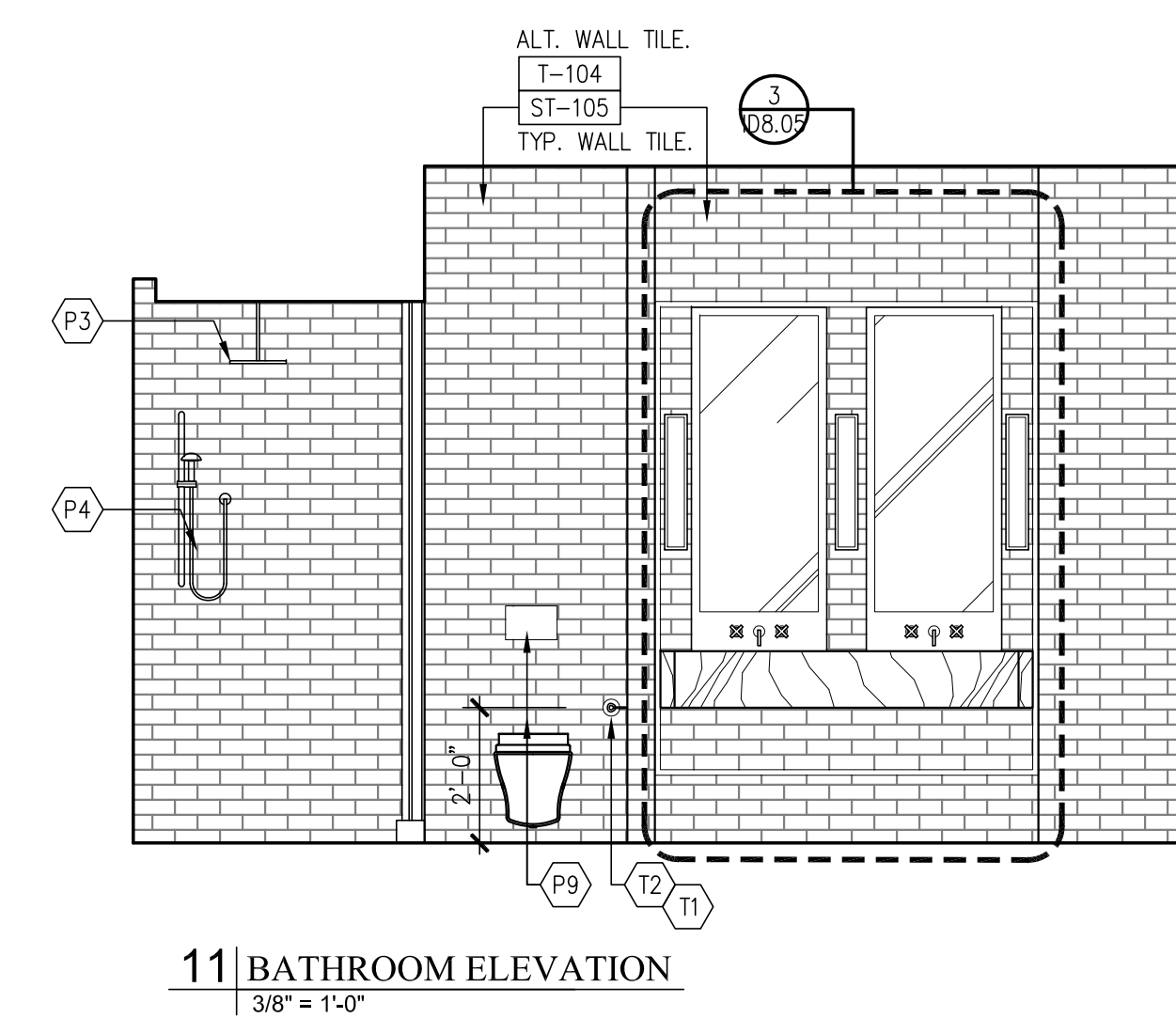
8 POWDER RM ELEVATION
3/8" = 1'-0"



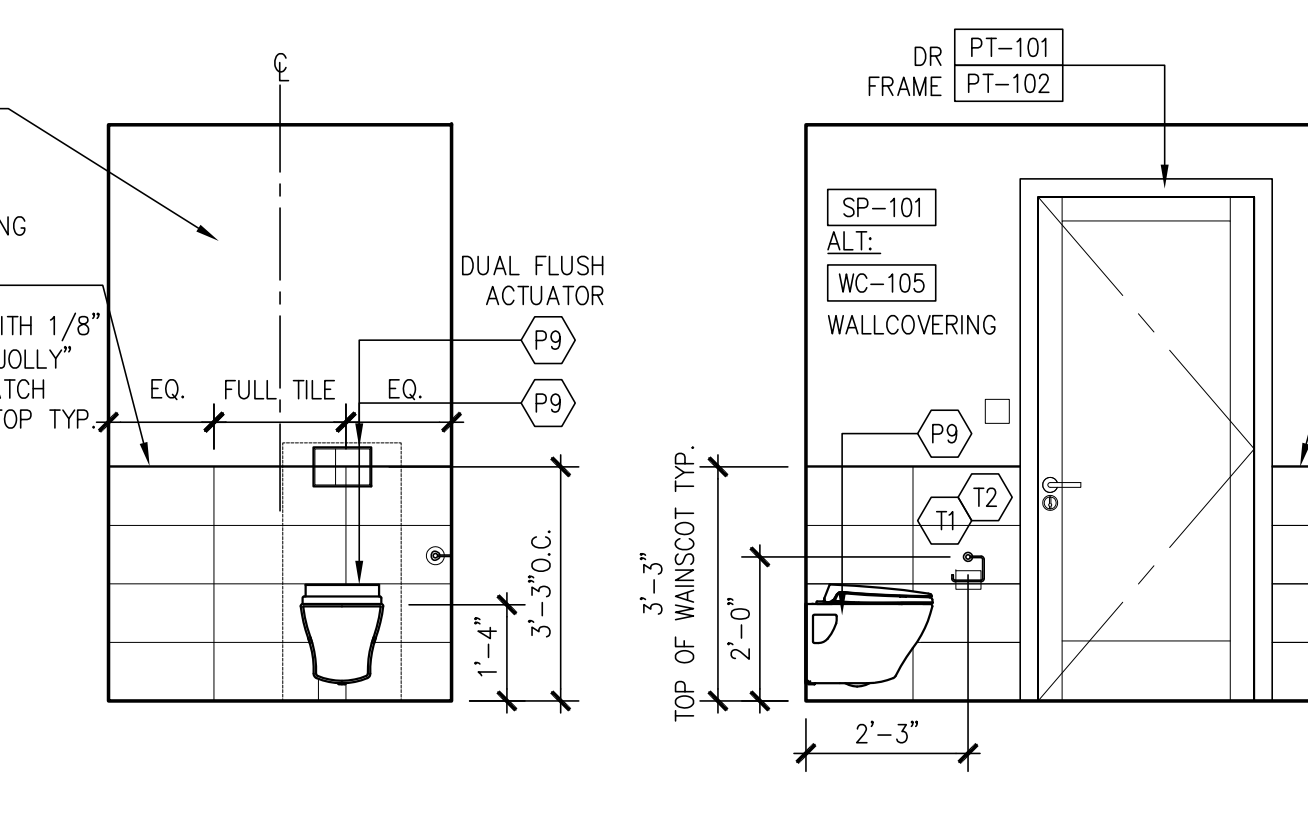
12 BATHROOM ELEVATION
3/8" = 1'-0"



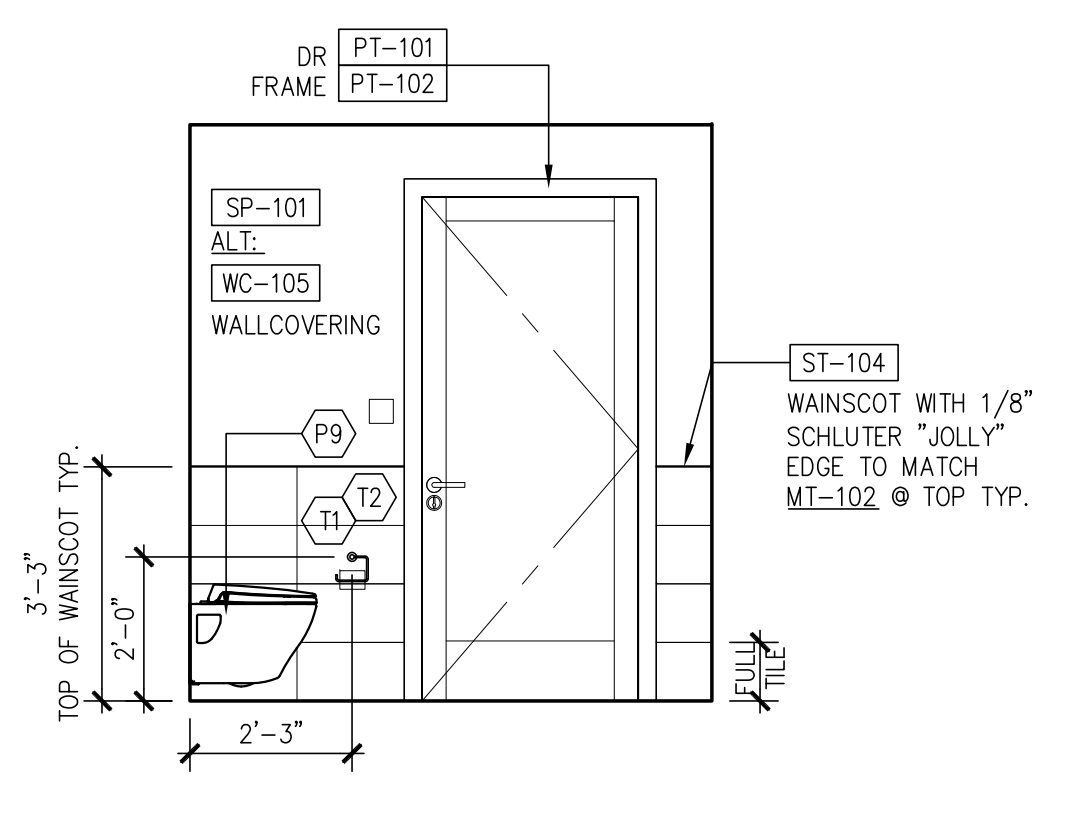
7 POWDER RM ELEVATION
3/8" = 1'-0"



11 BATHROOM ELEVATION
3/8" = 1'-0"



6 POWDER RM ELEVATION
3/8" = 1'-0"



5 POWDER RM ELEVATION
3/8" = 1'-0"

Date: 06 SEPT, 2013

Scale:

RM TYPE P
PLANS & ELEVATIONS

Revisions:	Date:	Description:
1	13-07-01	30% Marriott Submission
2	13-09-09	60% Marriott Sub. & Pric.
3	13-10-14	Issue for Bid & Marriott Rev.

Project:

Press Hotel
119 Exchange St.
Portland, ME 04101

Architect:

ARCHETYP
architects
48 Union Wharf Portland, Maine 04101
(207) 772-6022 Fax (207) 772-4056

Consultant:

STONEHILL & TAYLOR
ARCHITECTS AND PLANNERS
31 W. 27th Street New York, NY 10001
(212) 226-8898 Fax (212) 941-1874

Prepared For:

119 Development,
LLC
P.O. Box 7468
Portland, ME 04112

ID-7.29b