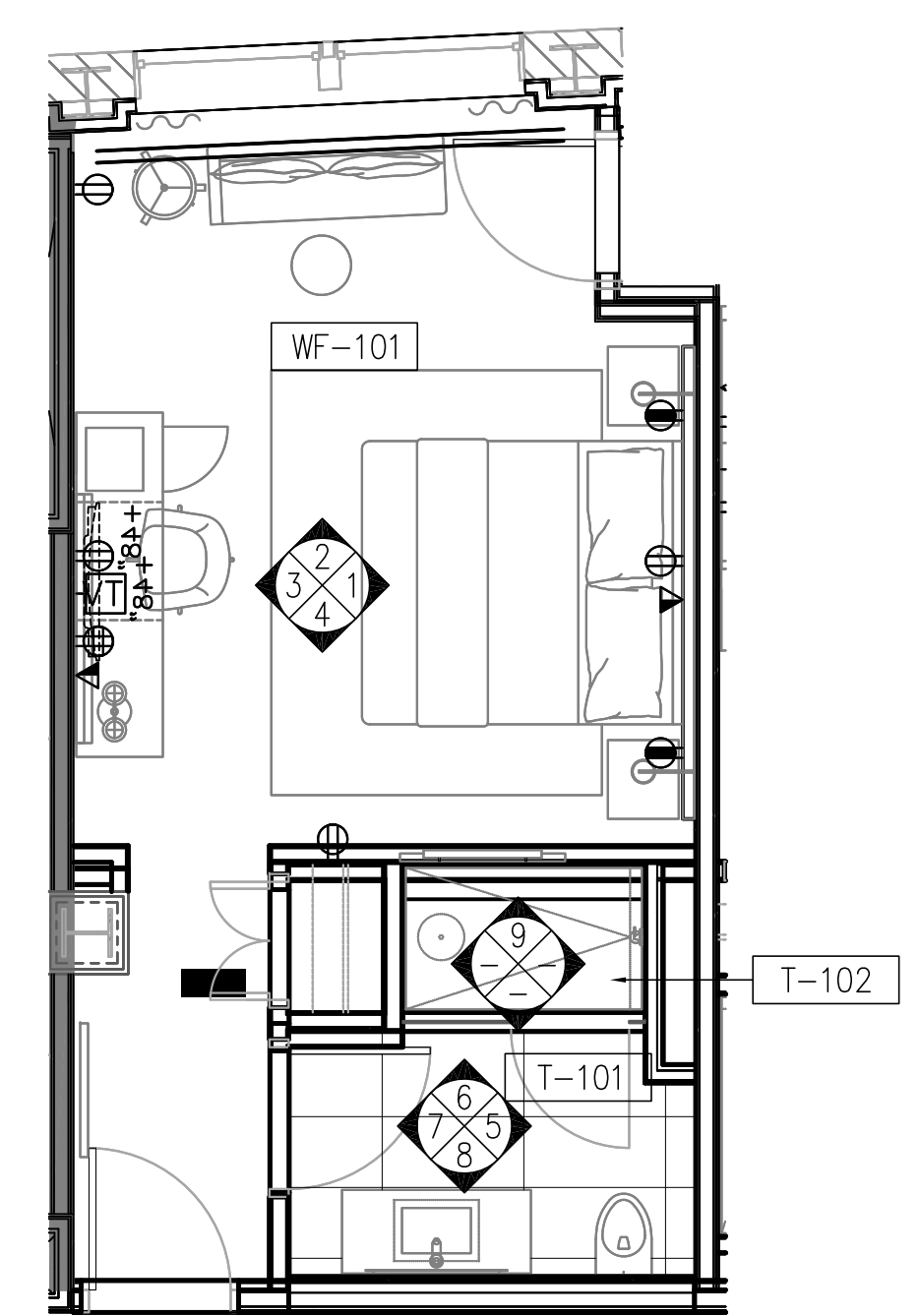
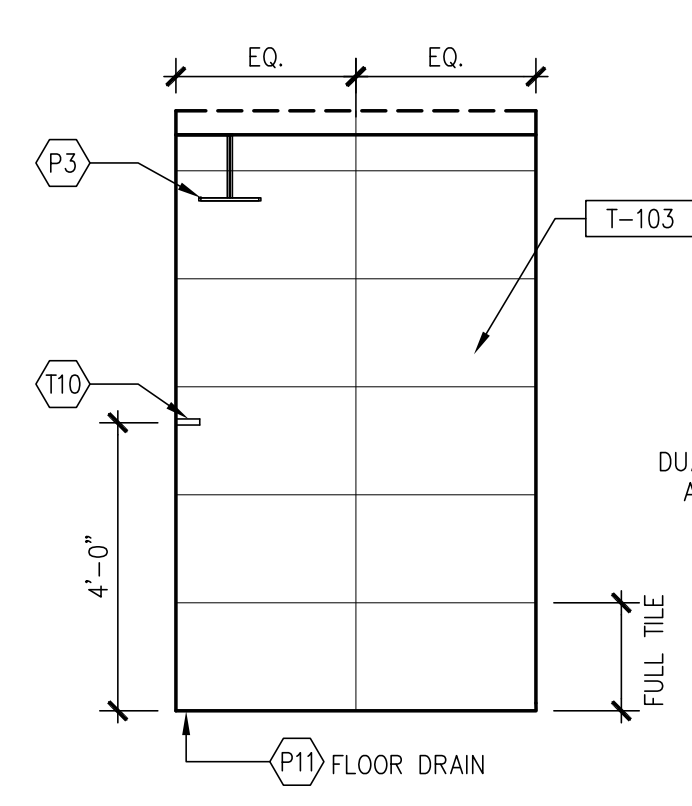


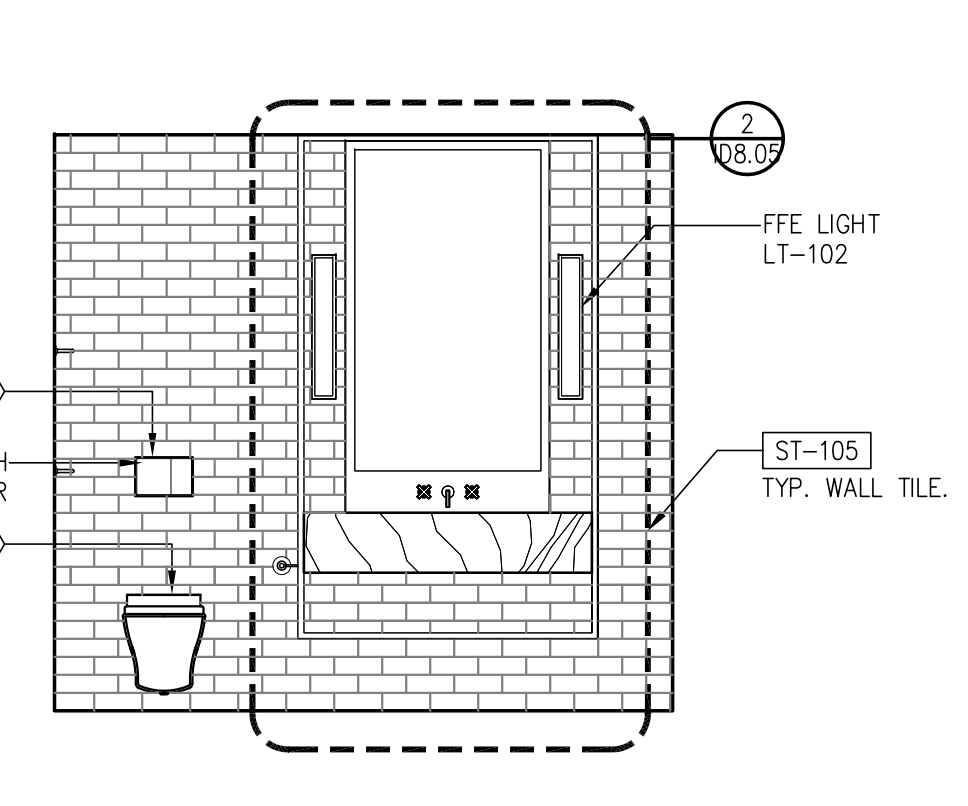
21 ROOM TYPE D REFLECTED CEILING PLAN
 1/4" = 1'-0"



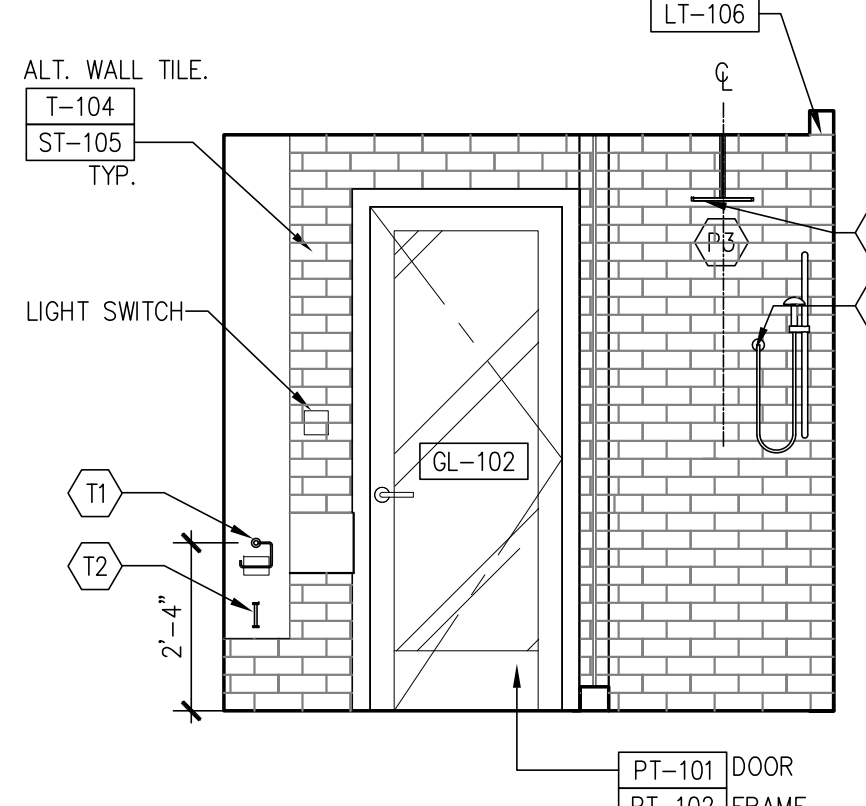
20 ROOM TYPE D FLOOR PLAN
 1/4" = 1'-0"



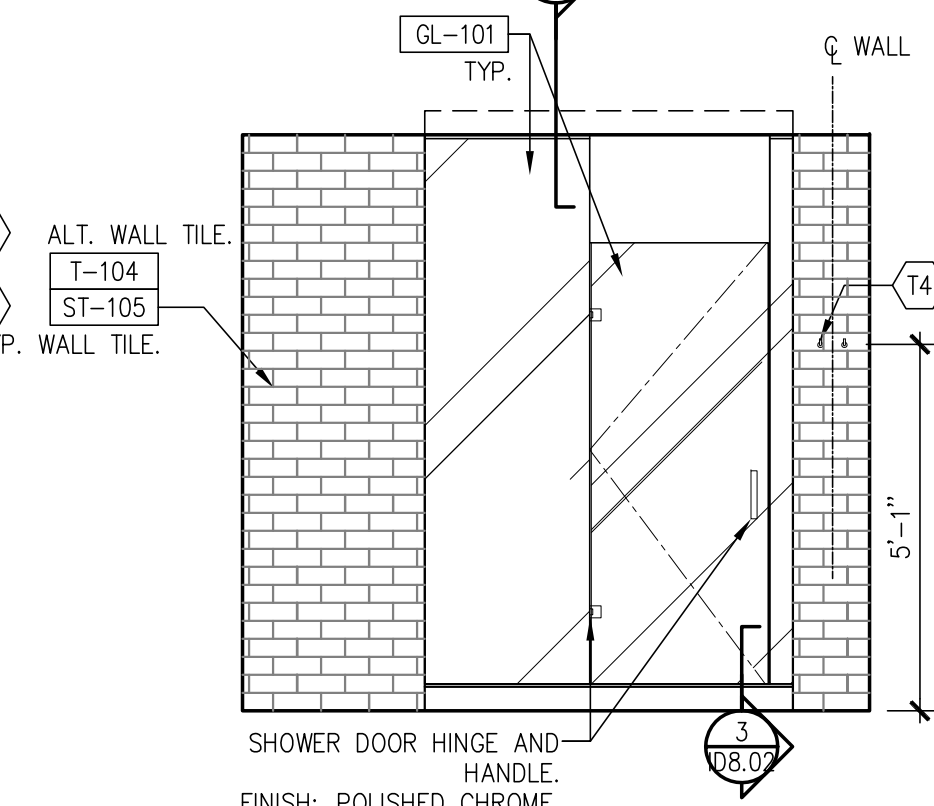
9 BATHROOM ELEVATION
 3/8" = 1'-0"



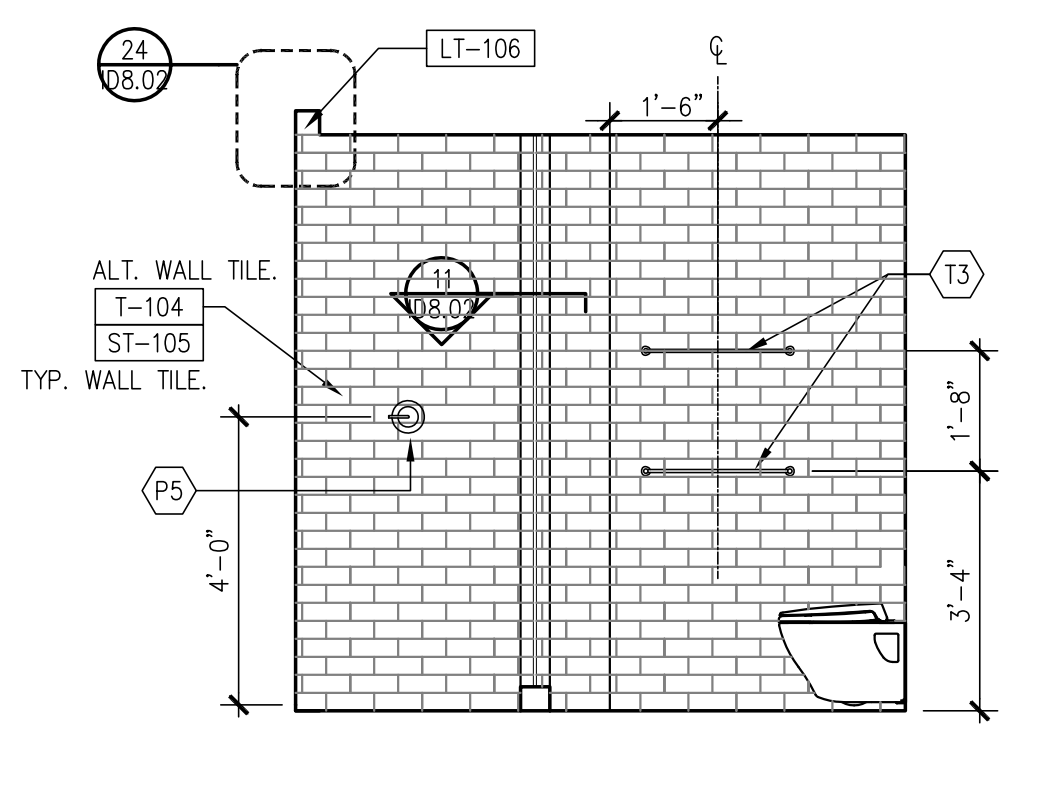
8 BATHROOM ELEVATION
 3/8" = 1'-0"



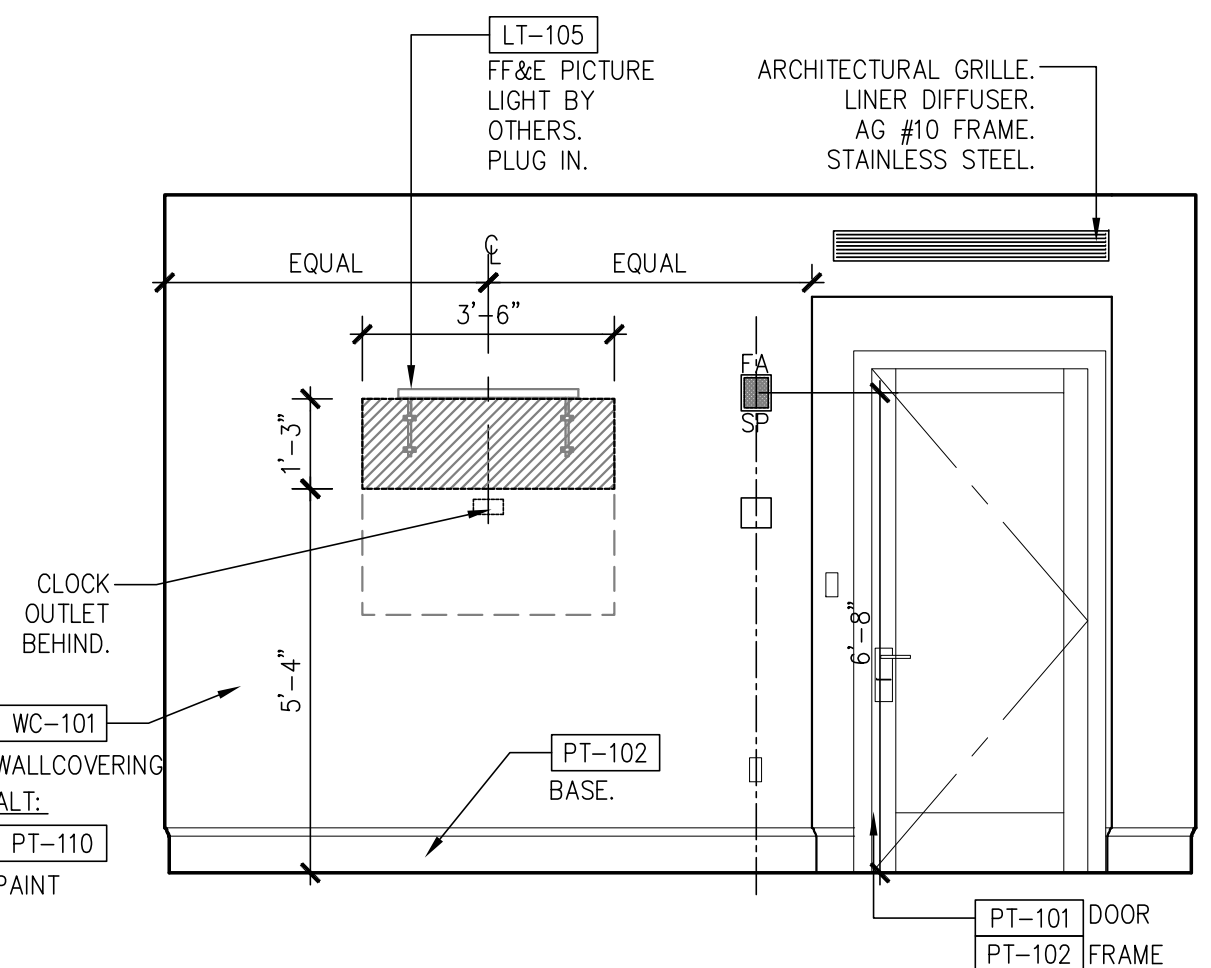
7 BATHROOM ELEVATION
 3/8" = 1'-0"



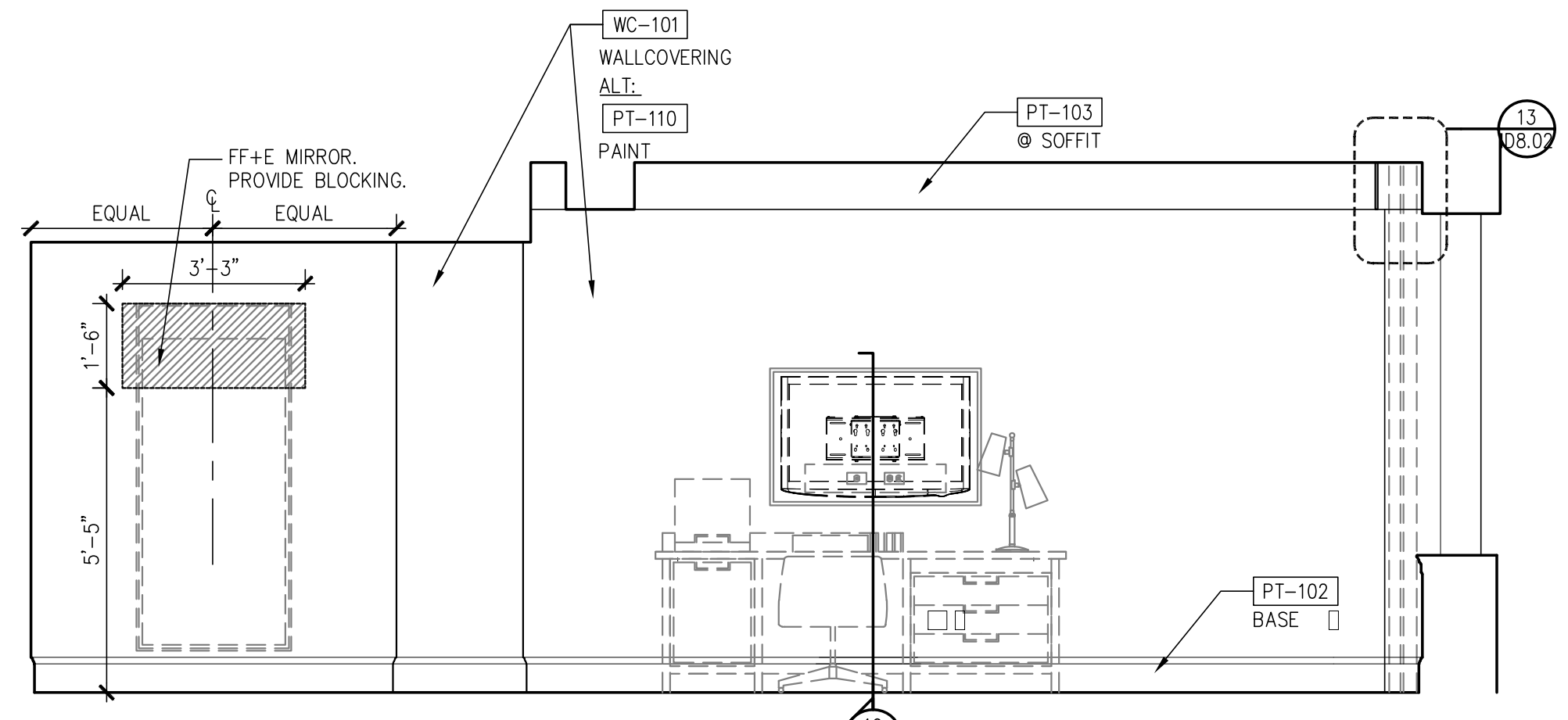
6 BATHROOM ELEVATION
 3/8" = 1'-0"



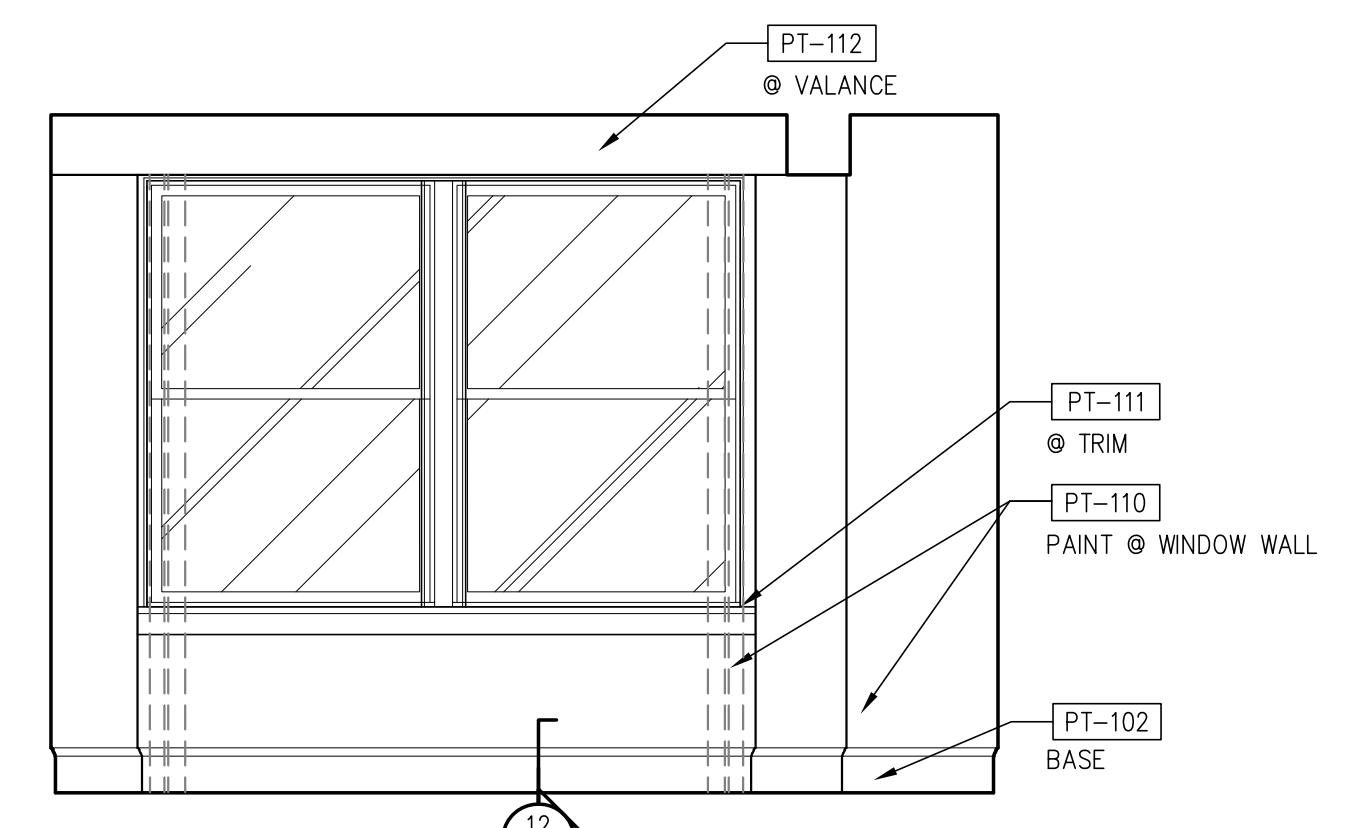
5 BATHROOM ELEVATION
 3/8" = 1'-0"



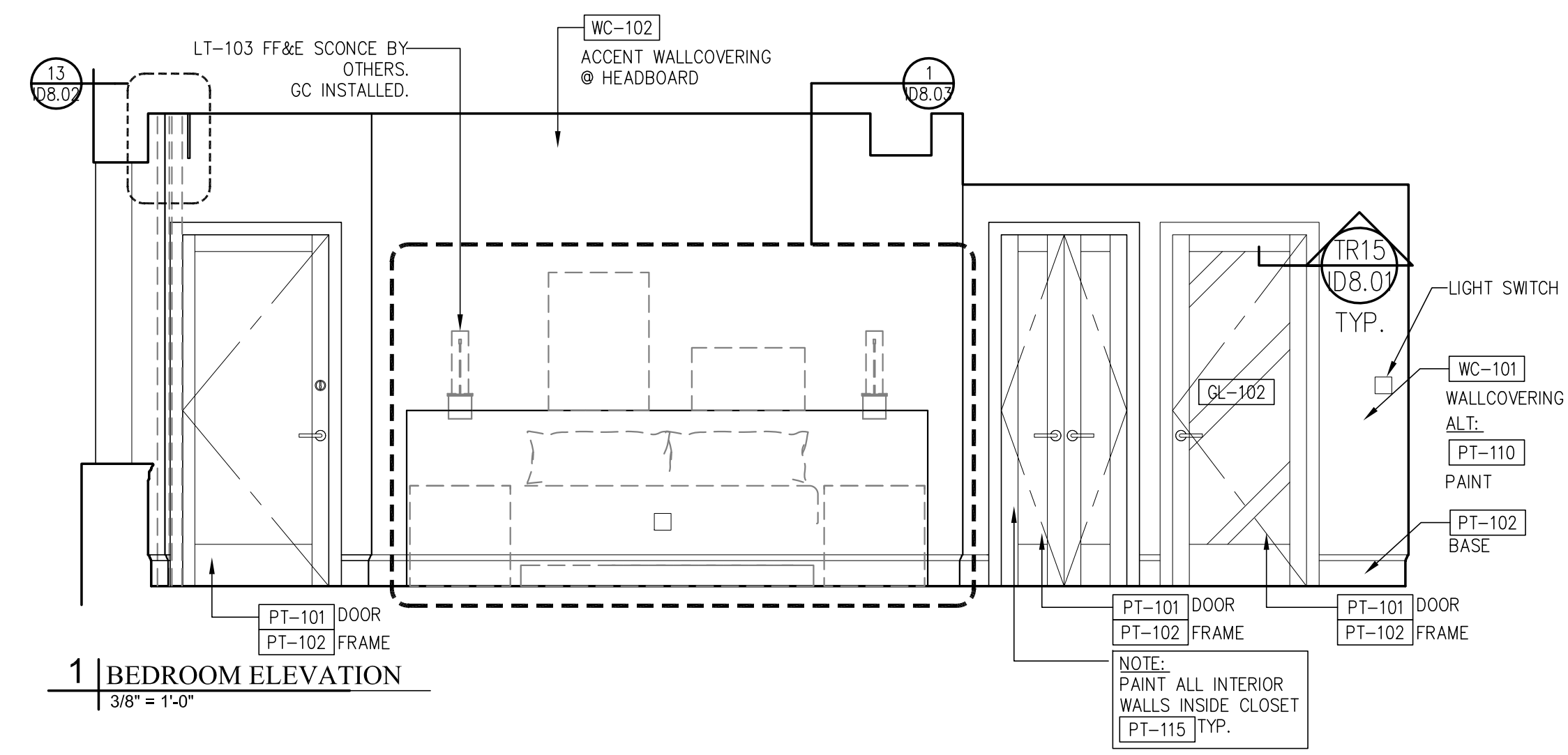
4 BEDROOM ELEVATION
 3/8" = 1'-0"



3 BEDROOM ELEVATION
 3/8" = 1'-0"



2 BEDROOM ELEVATION
 3/8" = 1'-0"



1 BEDROOM ELEVATION
 3/8" = 1'-0"