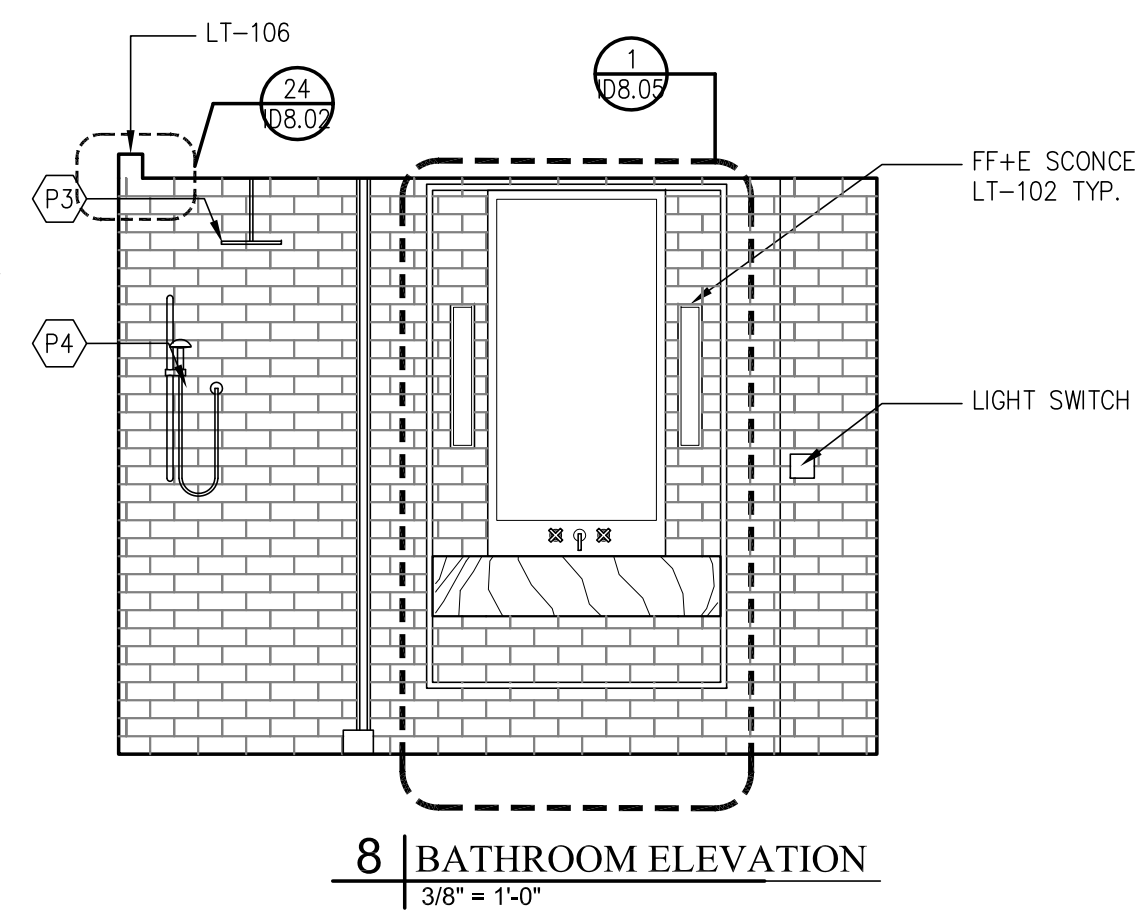
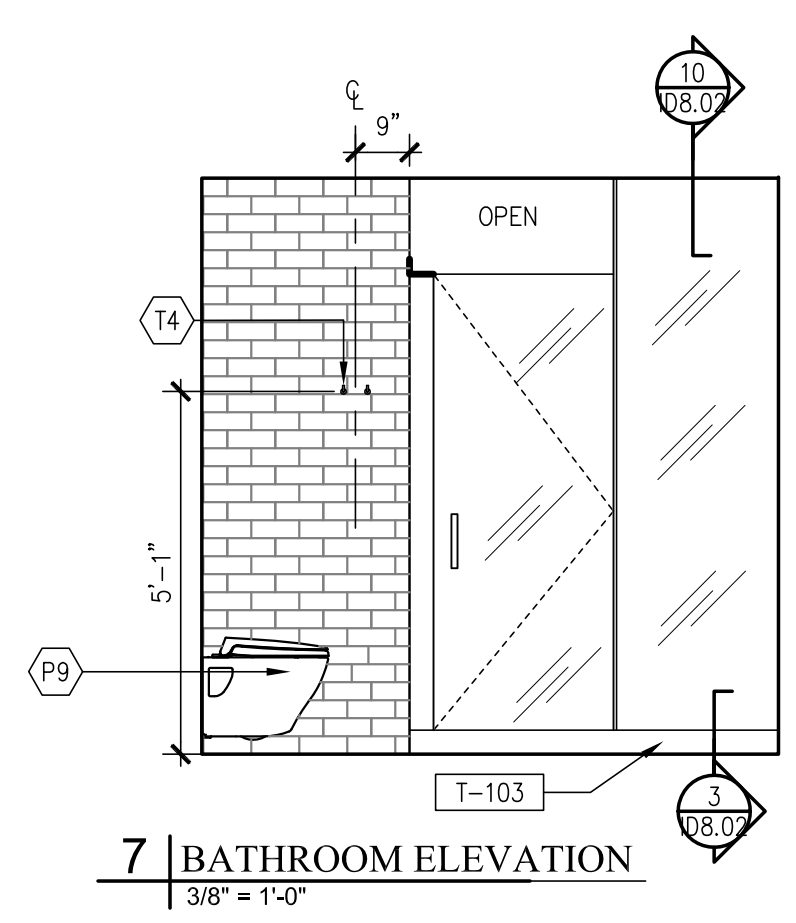


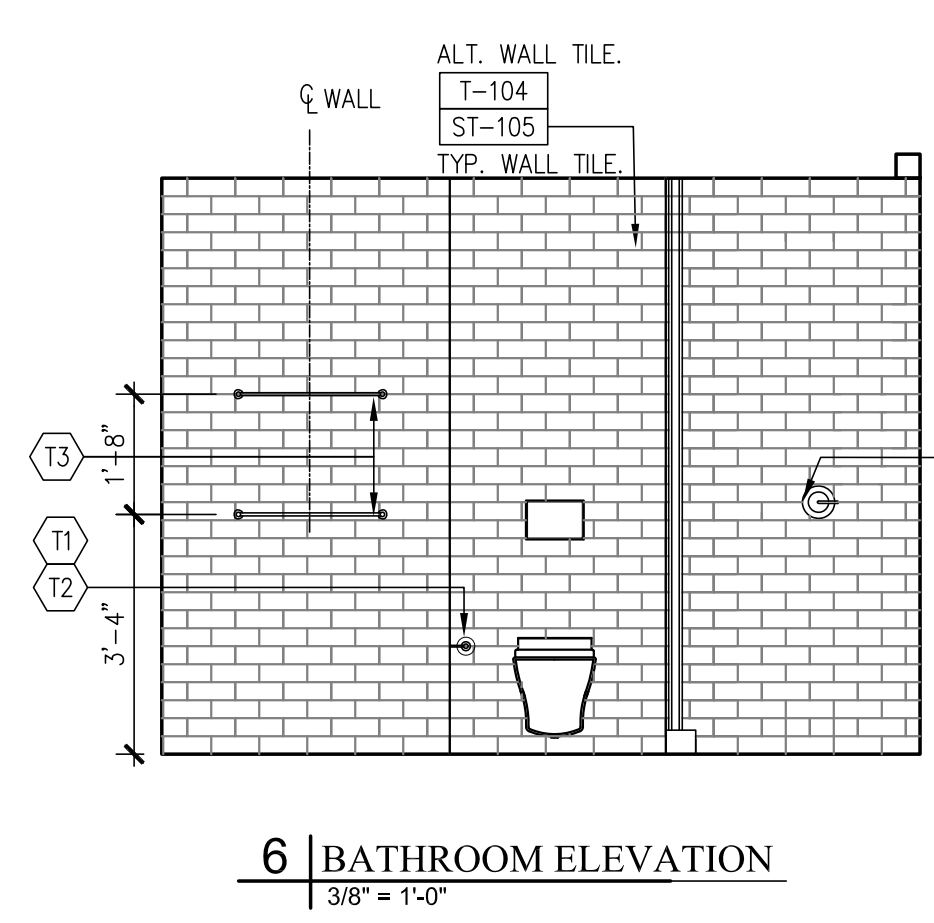
9 BATHROOM ELEVATION
3/8" = 1'-0"



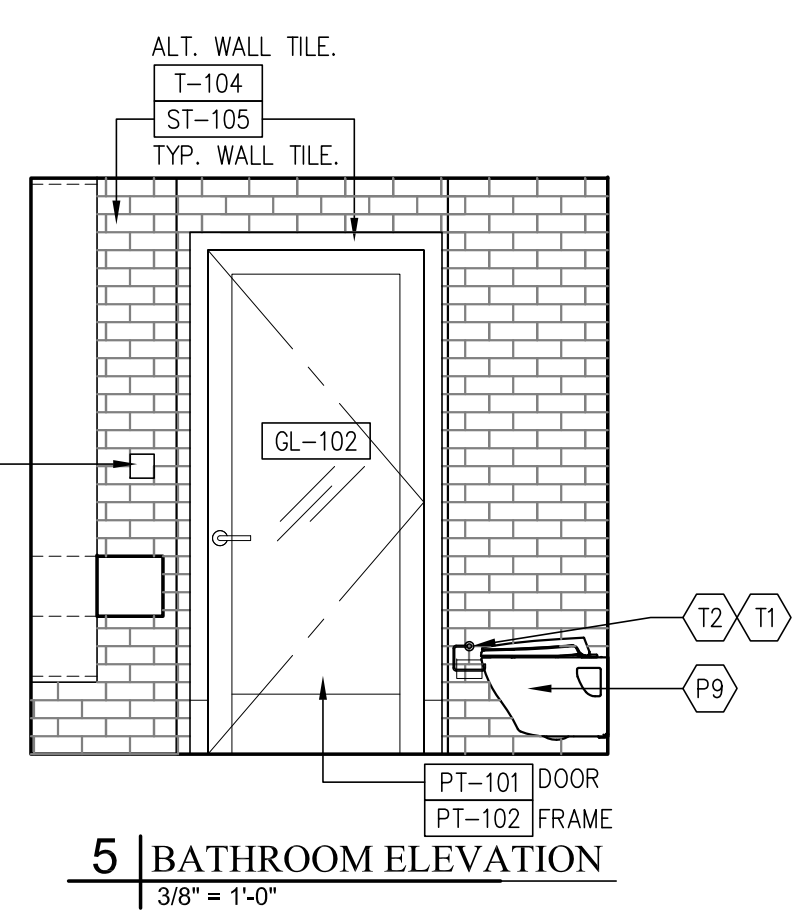
8 BATHROOM ELEVATION
3/8" = 1'-0"



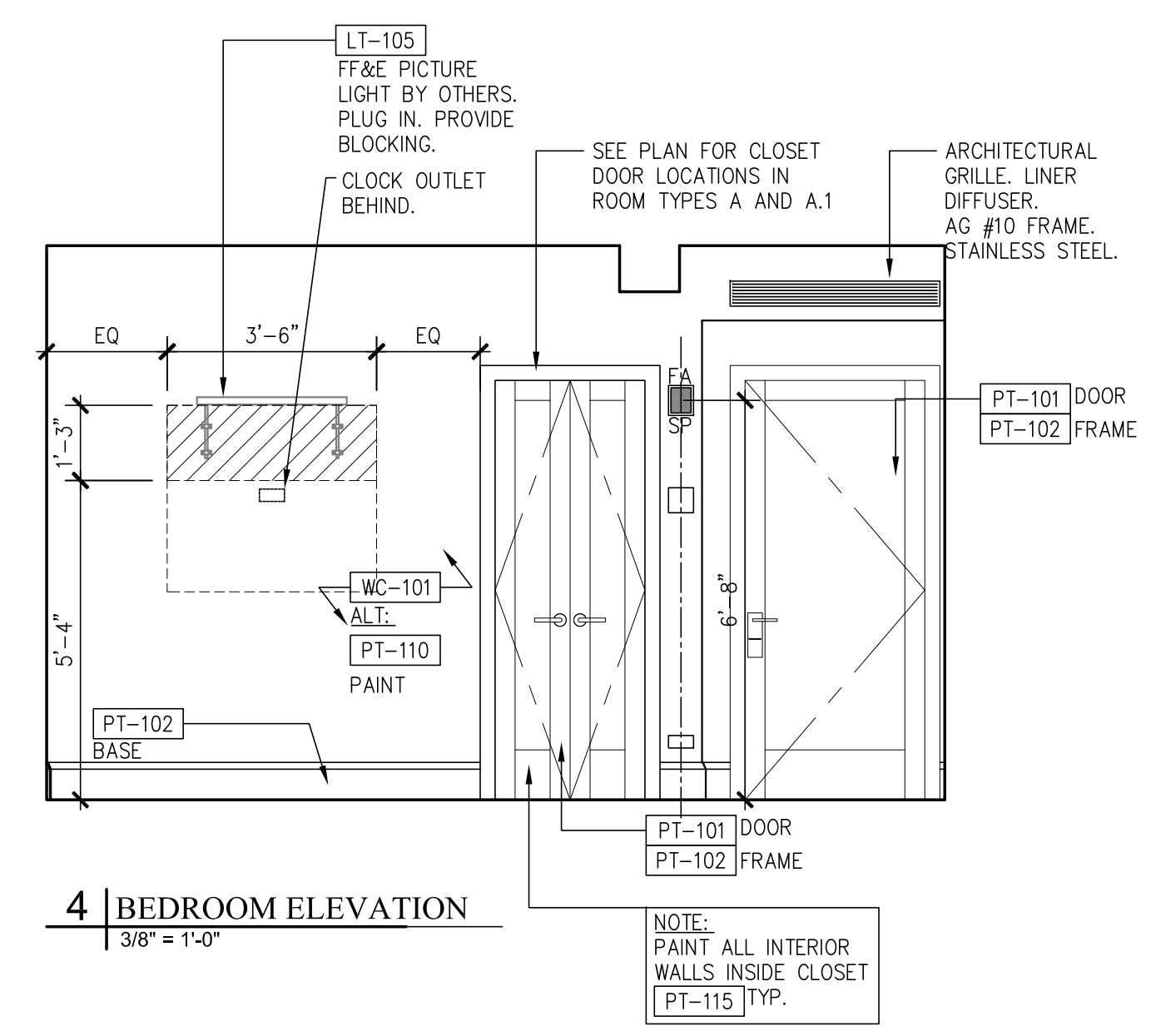
7 BATHROOM ELEVATION
3/8" = 1'-0"



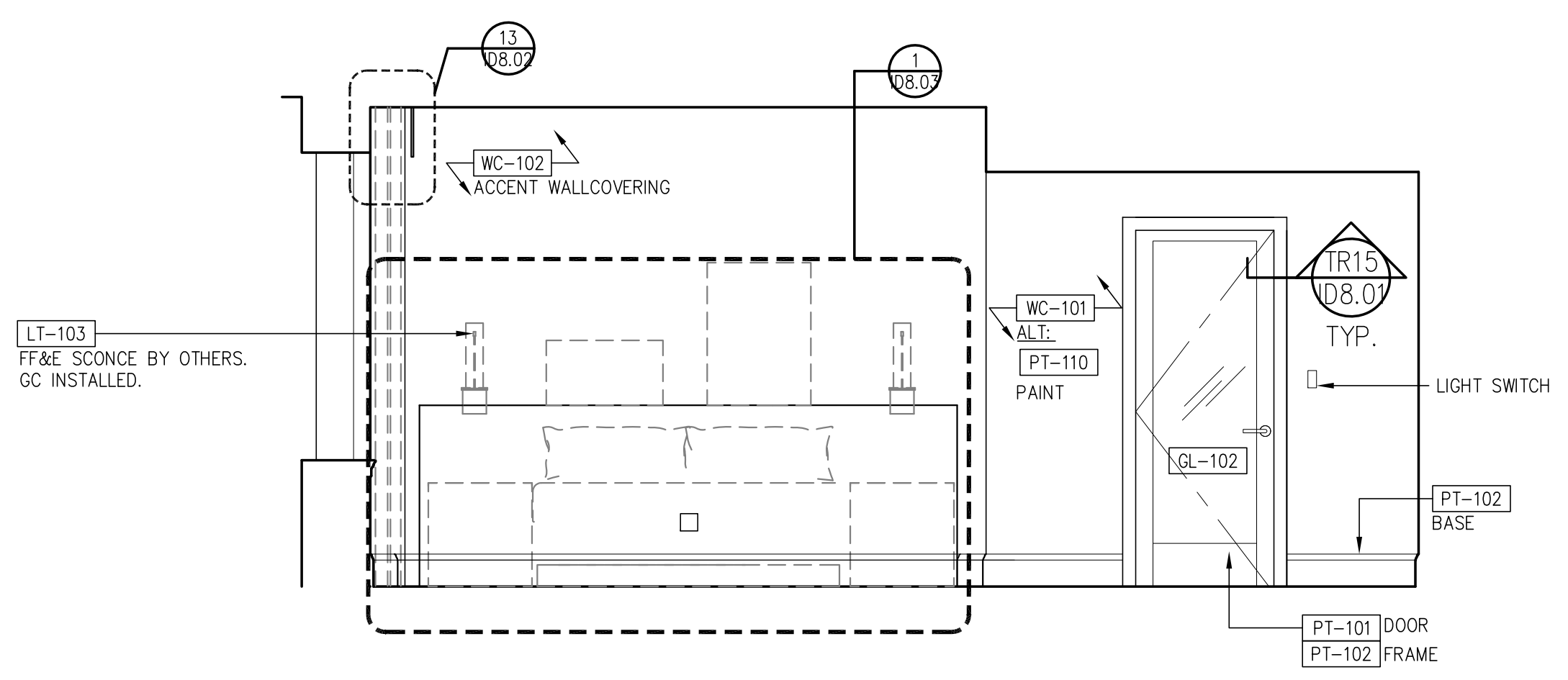
6 BATHROOM ELEVATION
3/8" = 1'-0"



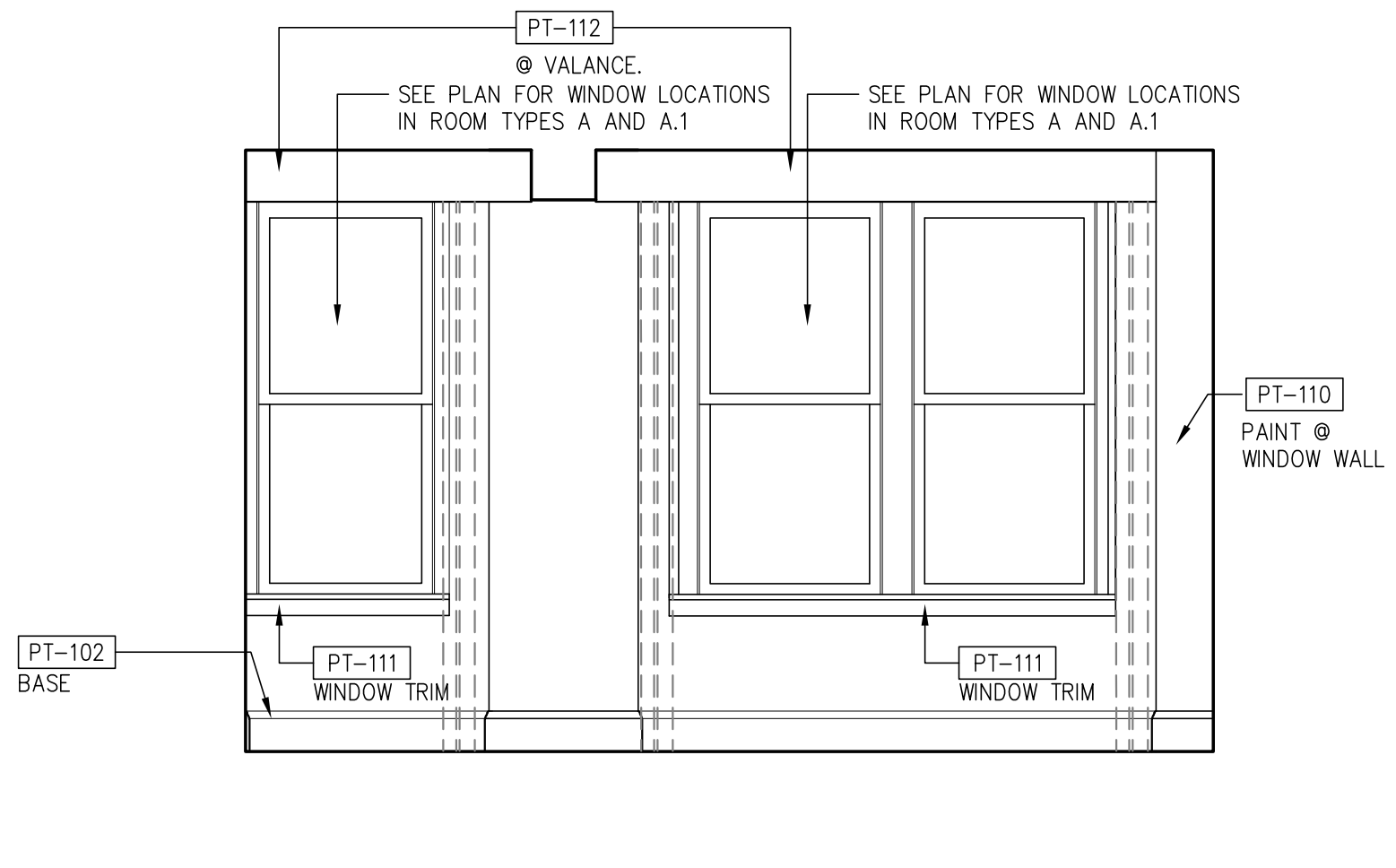
5 BATHROOM ELEVATION
3/8" = 1'-0"



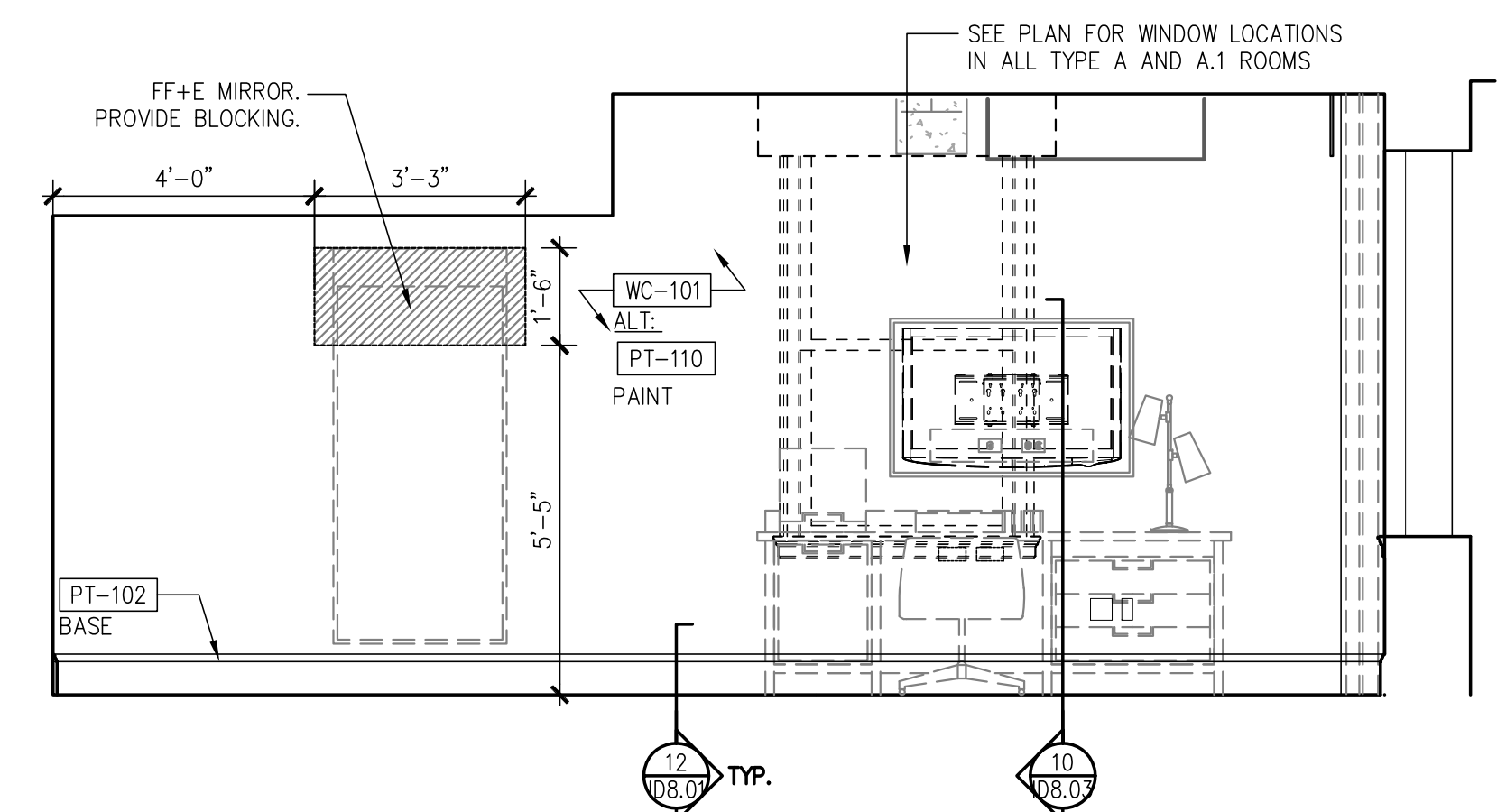
4 BEDROOM ELEVATION
3/8" = 1'-0"



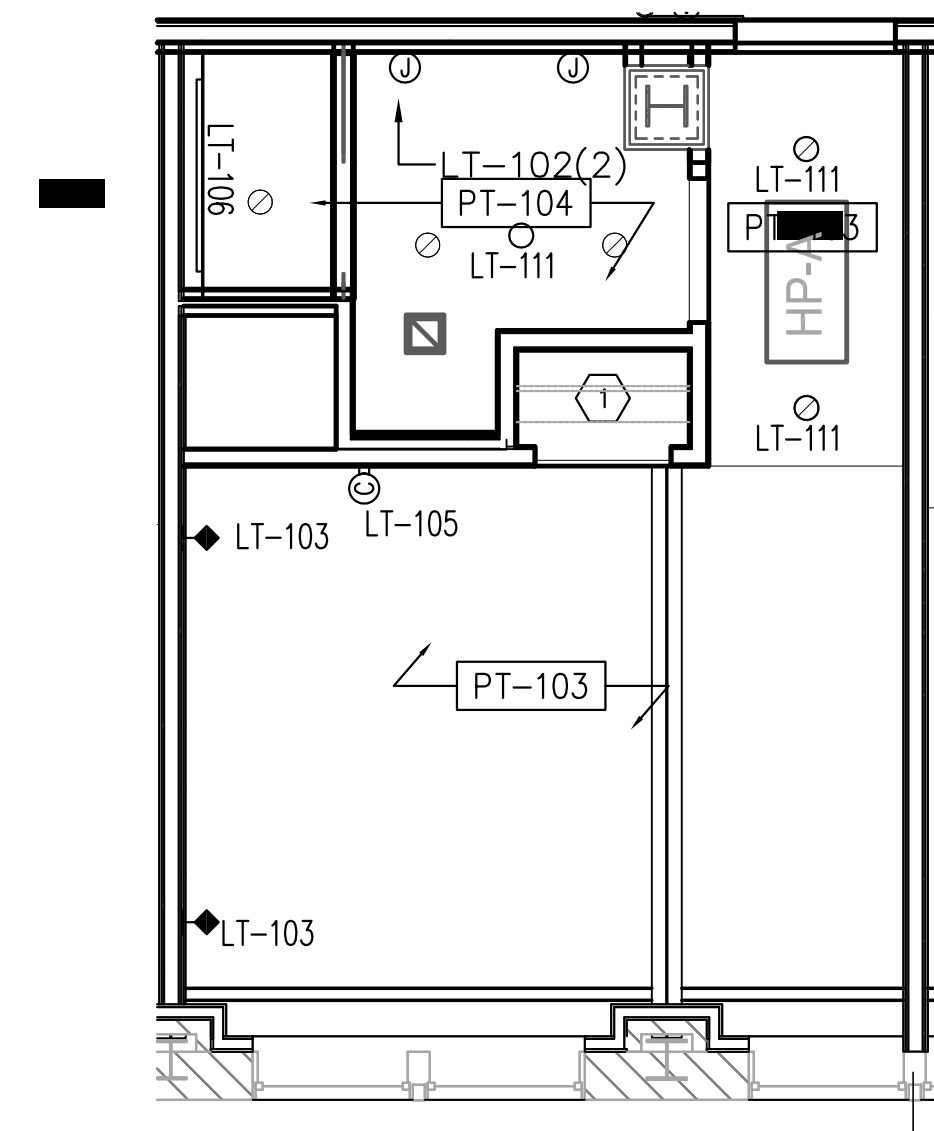
3 BEDROOM ELEVATION
3/8" = 1'-0"



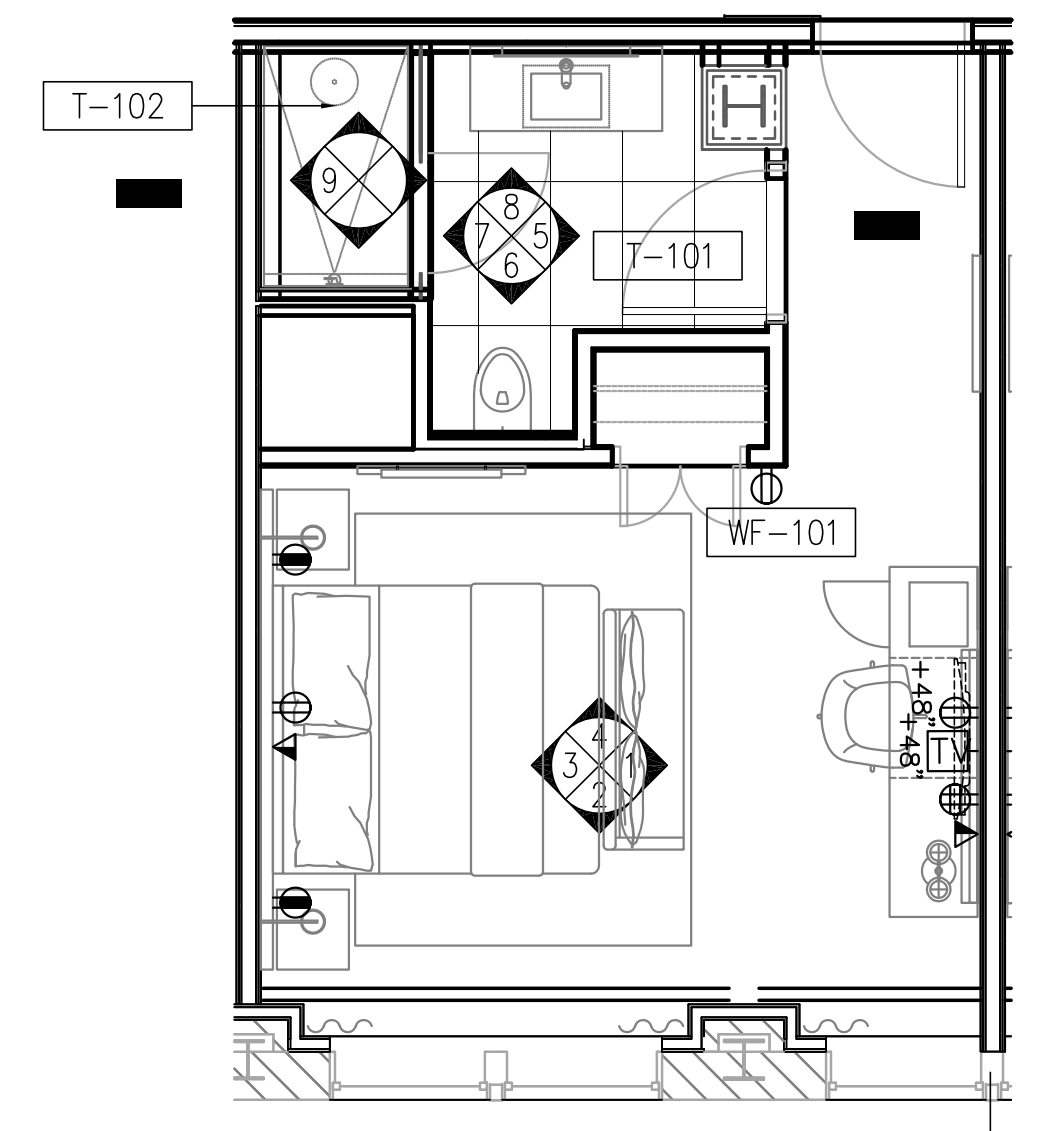
2 BEDROOM ELEVATION
3/8" = 1'-0"



1 BEDROOM ELEVATION
3/8" = 1'-0"



21 ROOM TYPE A REFLECTED CEILING PLAN
1/4" = 1'-0"



20 ROOM TYPE A FLOOR PLAN
1/4" = 1'-0"

Prepared For: **119 Development, LLC**
P.O. Box 7468
Portland, ME 04112

Consultant: **STONEHILL & TAYLOR ARCHITECTS AND PLANNERS**
31 W. 27th Street New York, NY 10001
(212) 226-8898 Fax (212) 941-1874

Architect: **ARCHETYPE architects**
48 Union Wharf Portland, Maine 04101
(207) 772-6022 Fax (207) 772-4056

Project: **Press Hotel**
119 Exchange St.
Portland, ME 04101

Revisions:
1 03-07-01 30% Marriott Submission
2 03-09-09 60% Marriott Sub. & Pric.
3 03-10-14 Issue for Bid & Marriott Rev.

Date: **06 SEPT, 2013**
Scale: **RM TYPE A PLANS & ELEVATIONS**

ID-7.10