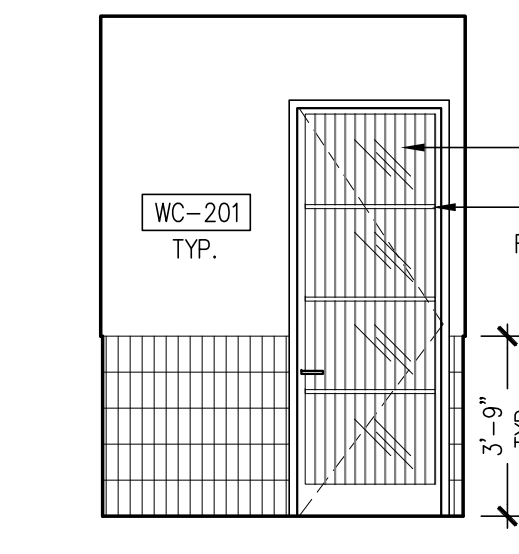
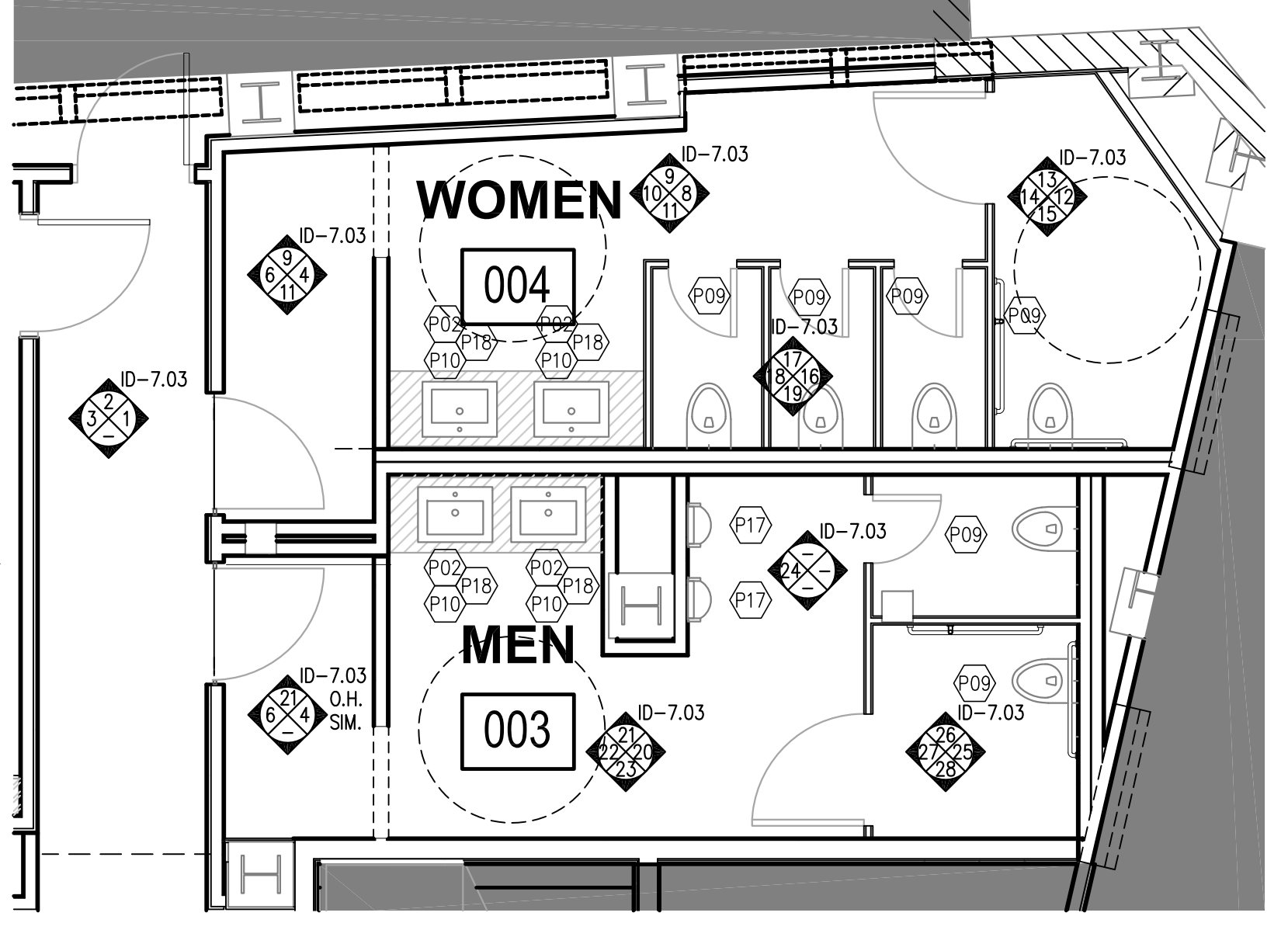
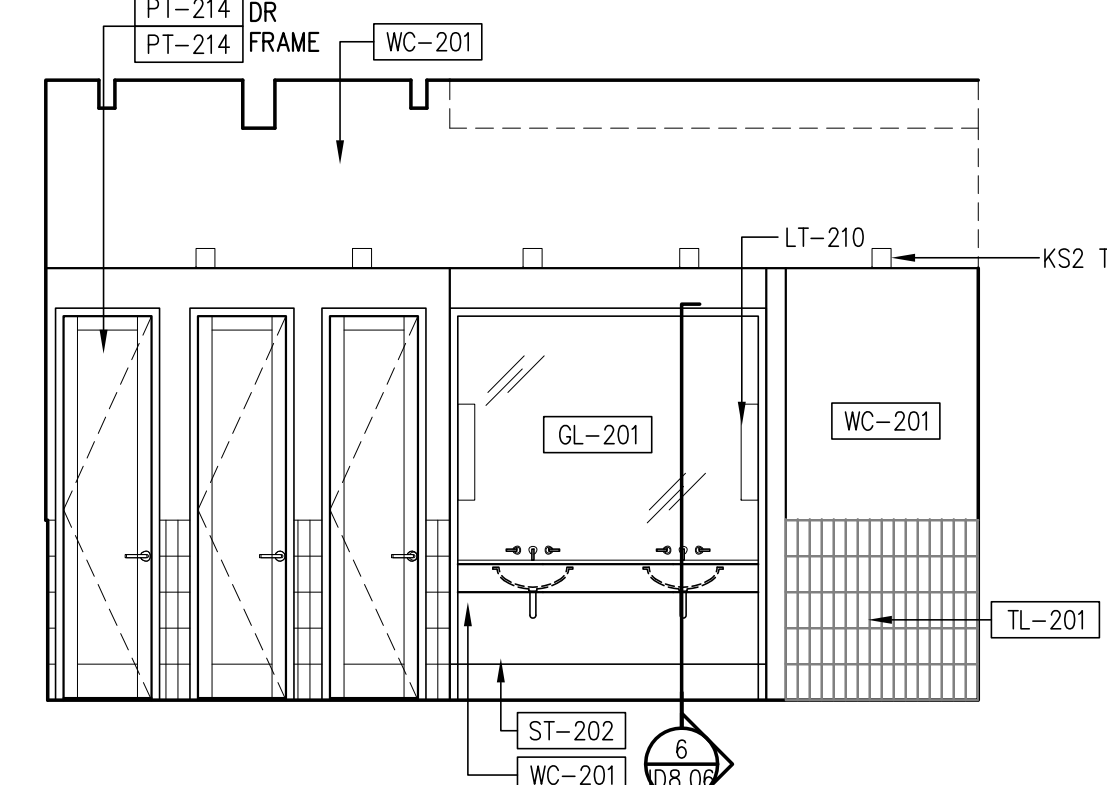
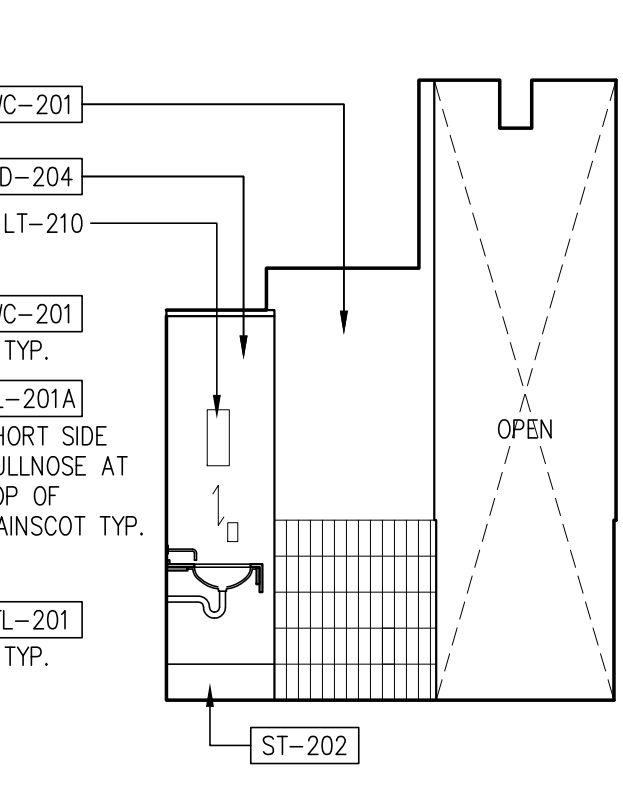
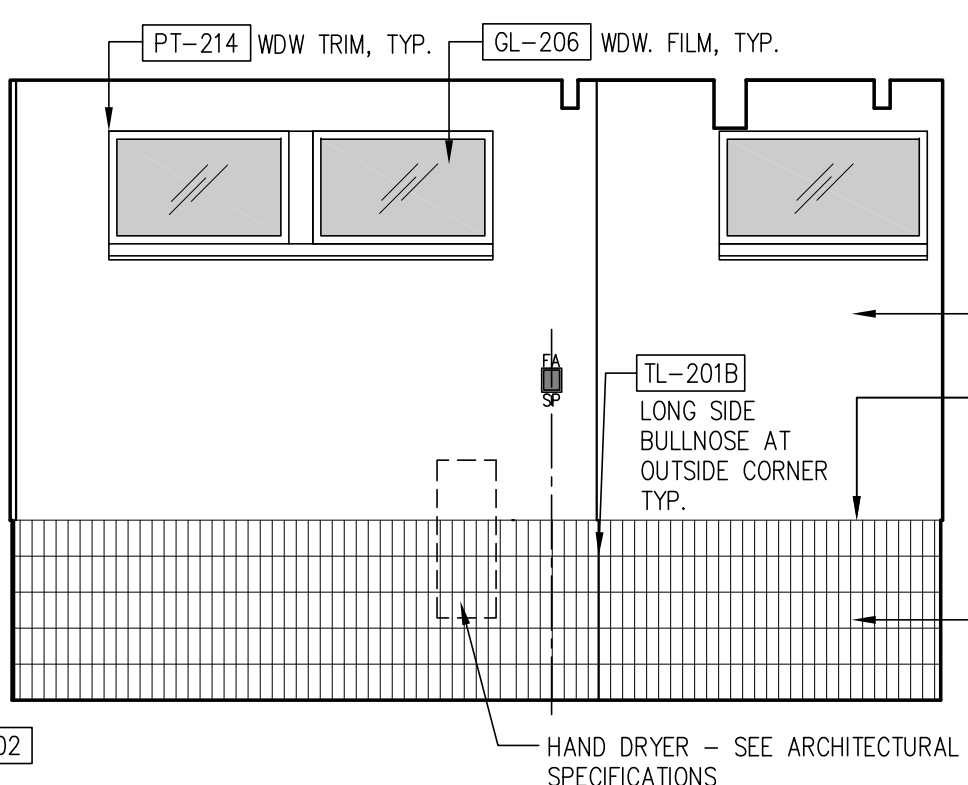
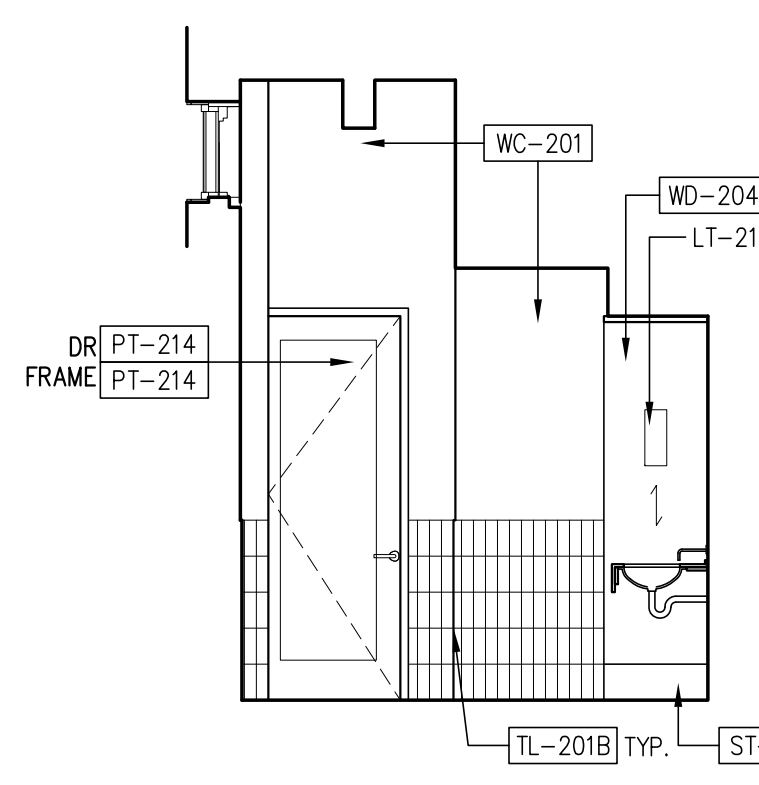


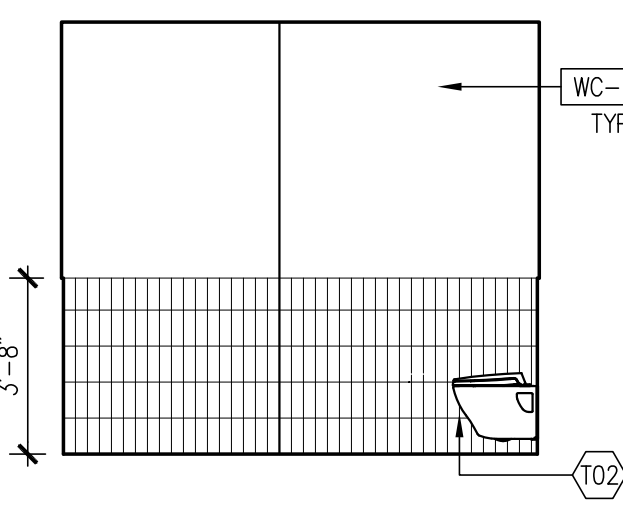
5 NOT USED



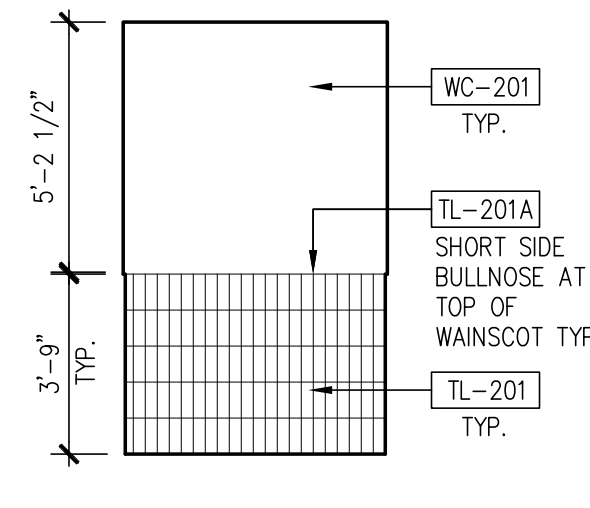
7 NOT USED



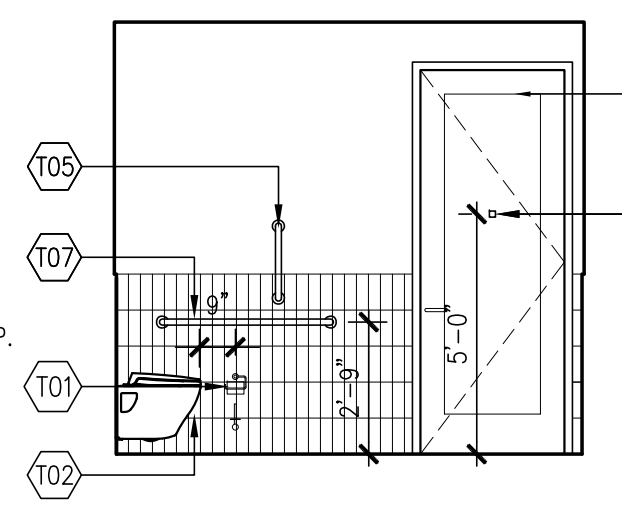
A ENLARGED RESTROOM PLAN



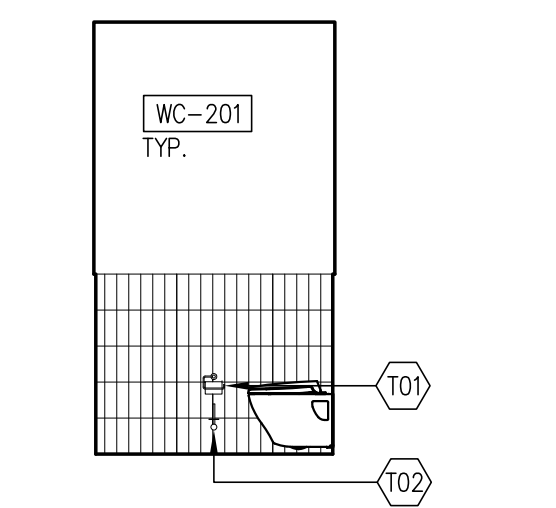
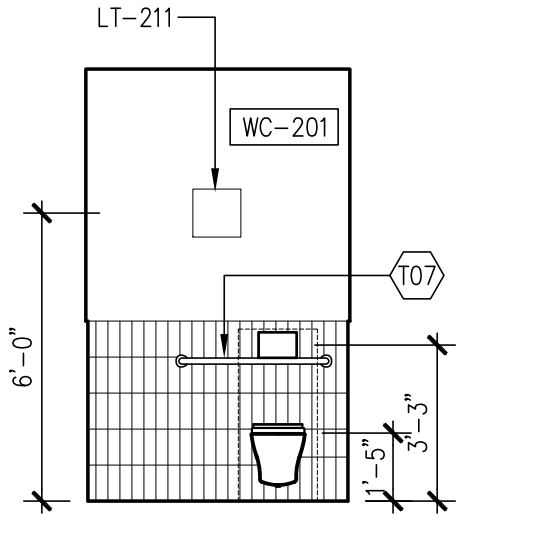
13 W. ADA RESTROOM STALL - E. ELEVATION



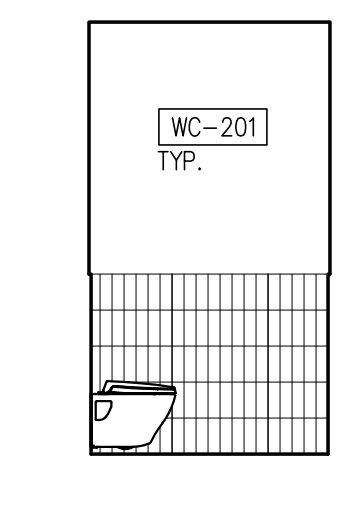
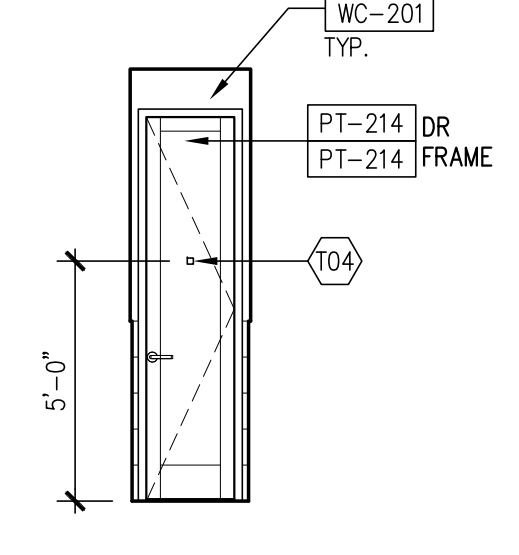
14 W. ADA RESTROOM STALL - N. ELEVATION



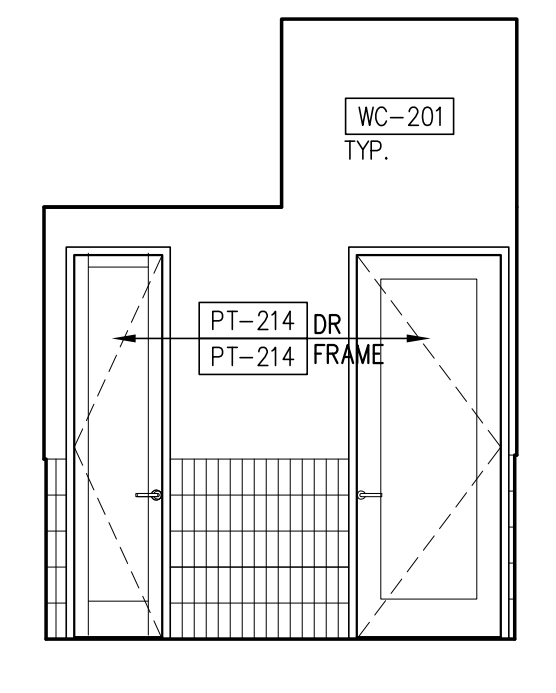
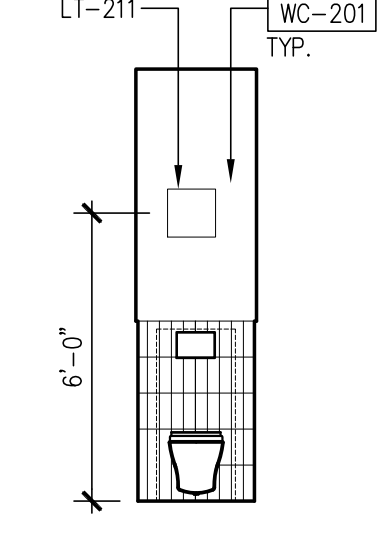
15 W. ADA RESTROOM STALL - W. ELEVATION



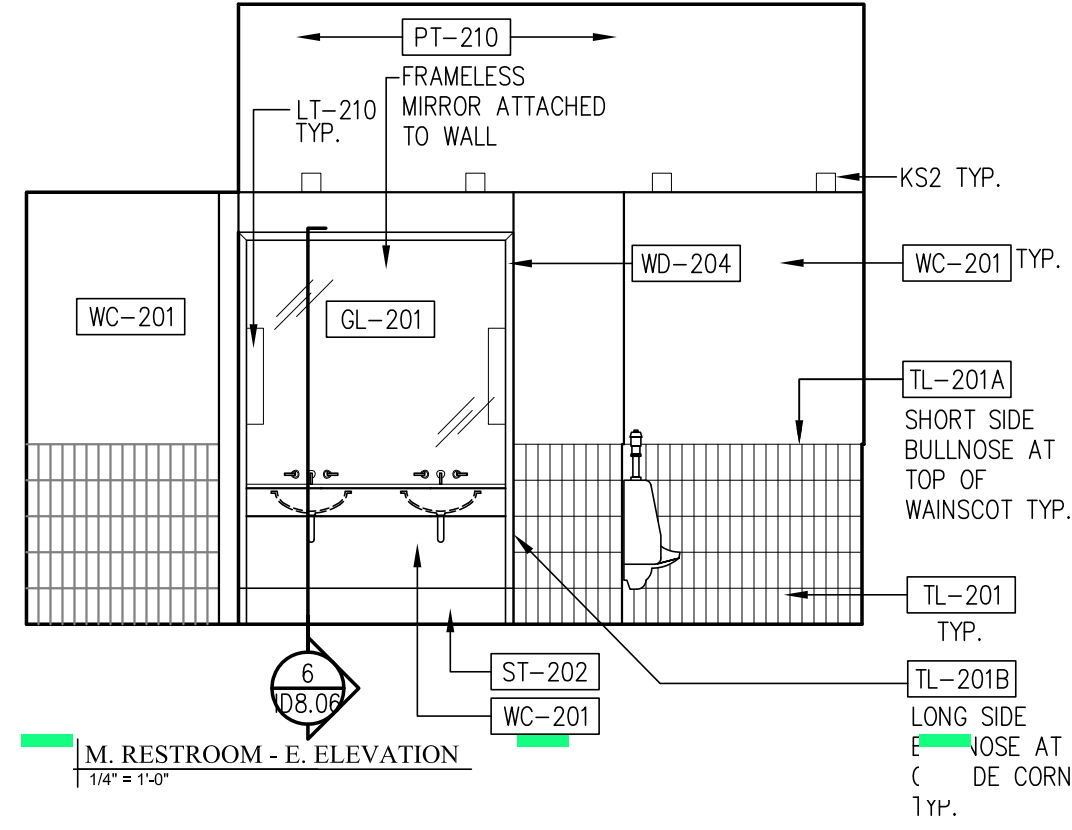
17 RESTROOM STALL - E. ELEVATION



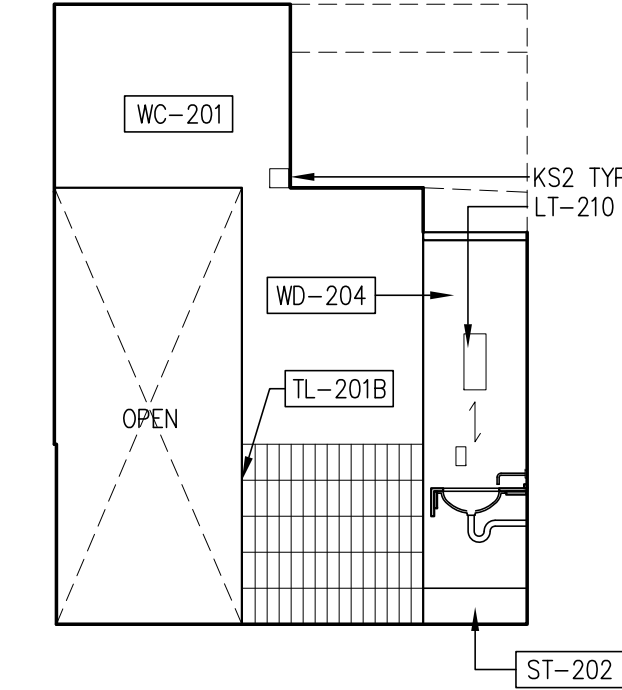
19 RESTROOM STALL - W. ELEVATION



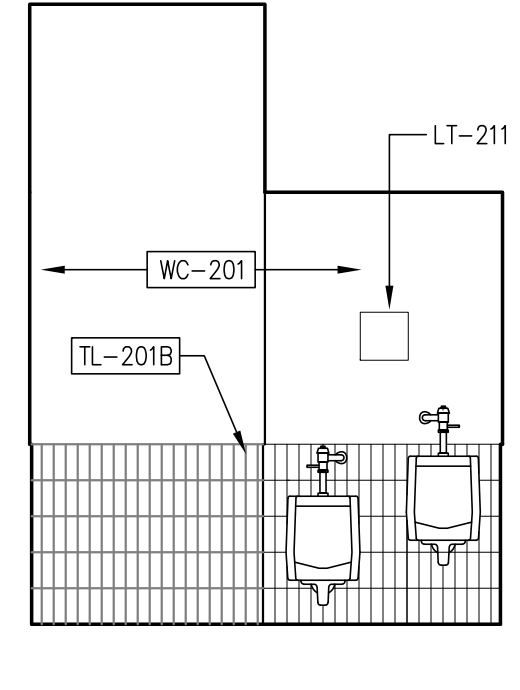
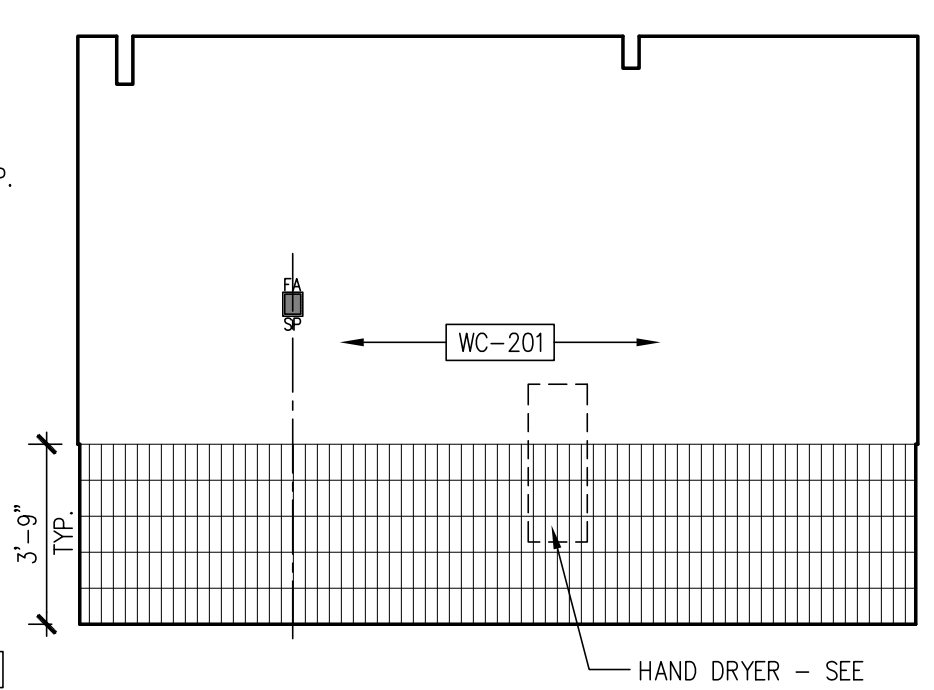
21 M. RESTROOM - S. ELEVATION



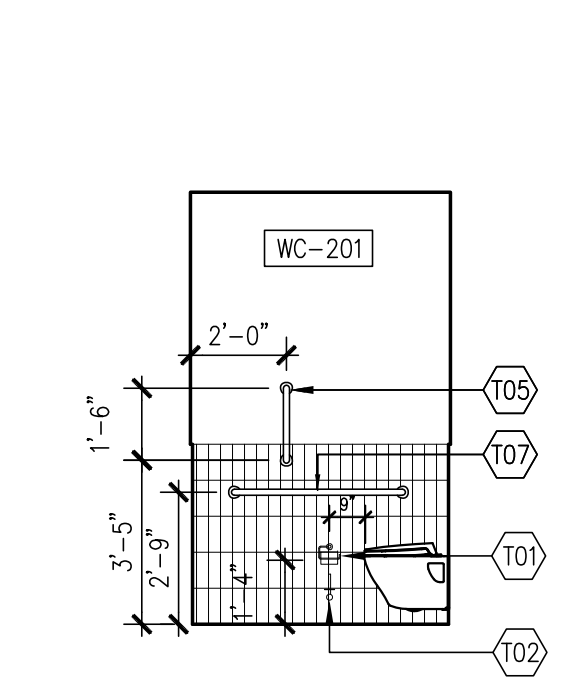
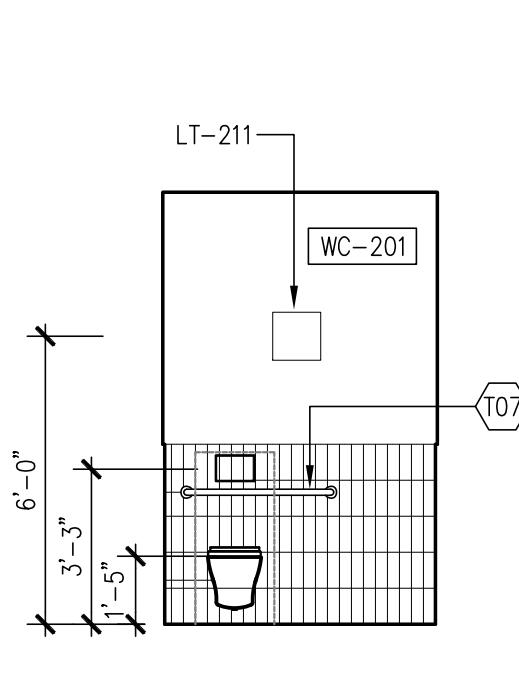
22 M. RESTROOM - N. ELEVATION



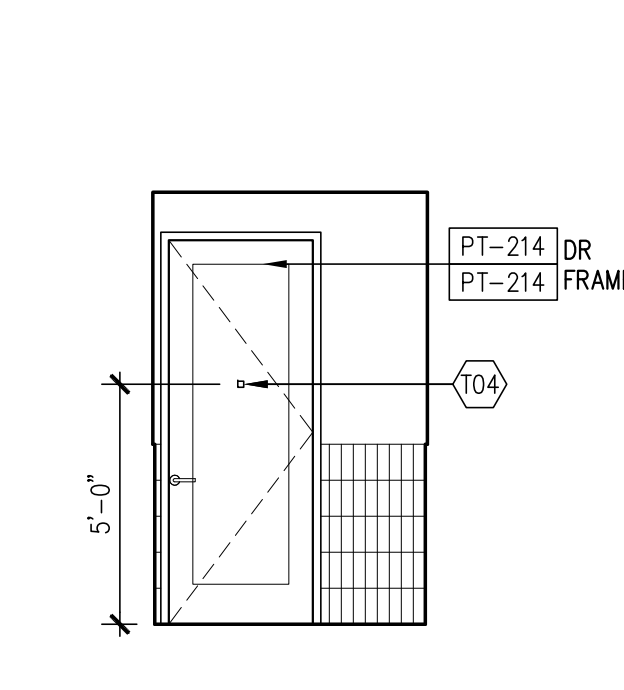
23 M. RESTROOM - W. ELEVATION



25 M. ADA RESTROOM STALL - S. ELEVATION



27 M. ADA RESTROOM STALL - N. ELEVATION



28 M. ADA RESTROOM STALL - W. ELEVATION

Prepared For:
119 Development, LLC
P.O. Box 7468
Portland, ME 04112

Consultant:
STONEHILL & TAYLOR ARCHITECTS AND PLANNERS
31 W. 27th Street
New York, NY 10001
(212) 226-8898 Fax (212) 941-1874

Architect:
ARCHETYPE architects
48 Union Wharf
Portland, Maine 04101
(207) 772-6022 Fax (207) 772-4056

Project:
Press Hotel
119 Exchange St.
Portland, ME 04101

Revisions:	Date:	Description:
1	07-01	30% Marriott Submission
2	09-09	60% Marriott Sub. & Pric.
3	10-14	Issue for Bid & Marriott Rev.

Date: 06 SEPT, 2013
Scale: 1/4" = 1'-0"
LOWER LEVEL RESTROOM ELEVATIONS

ID-7.03