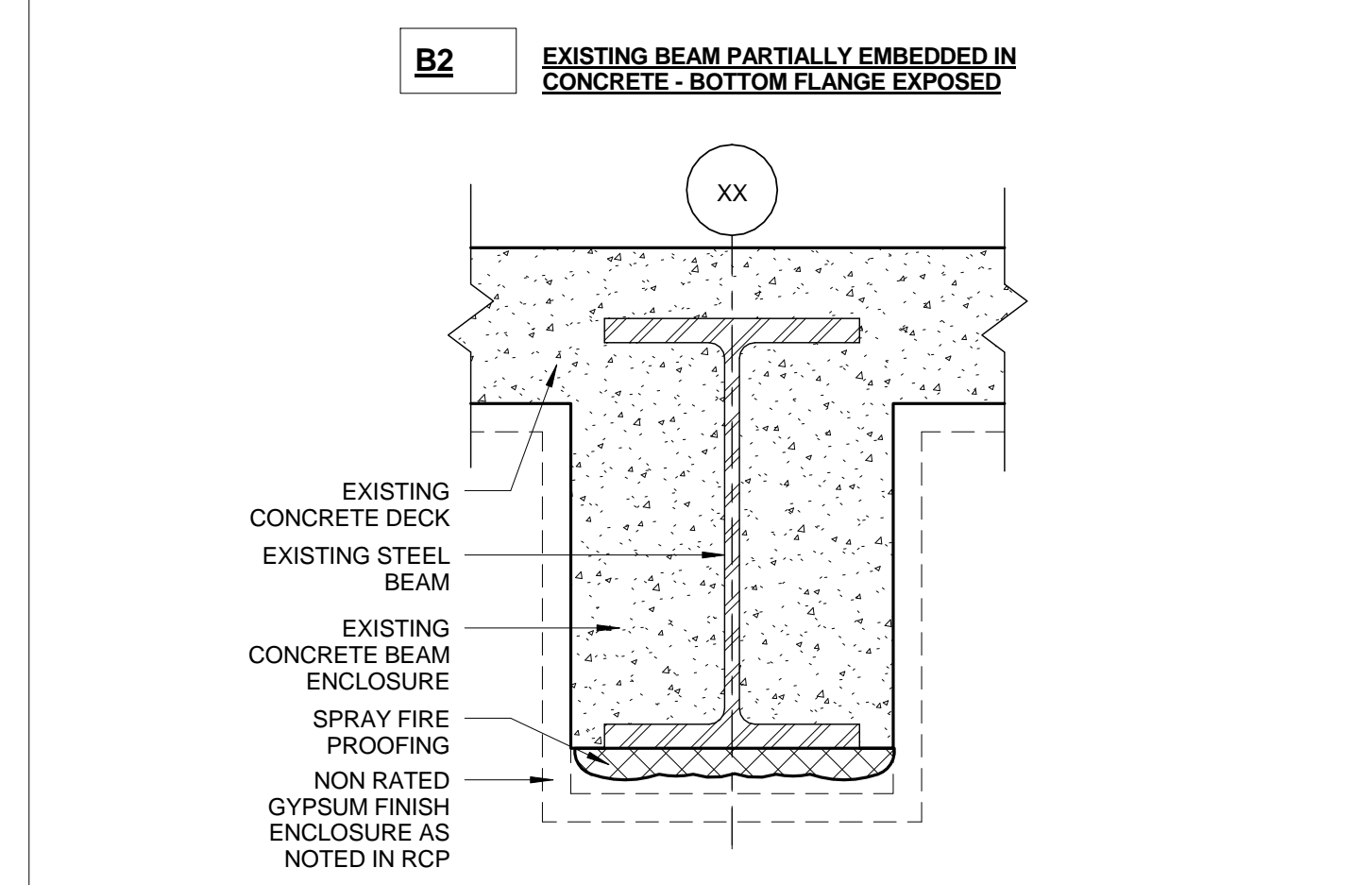
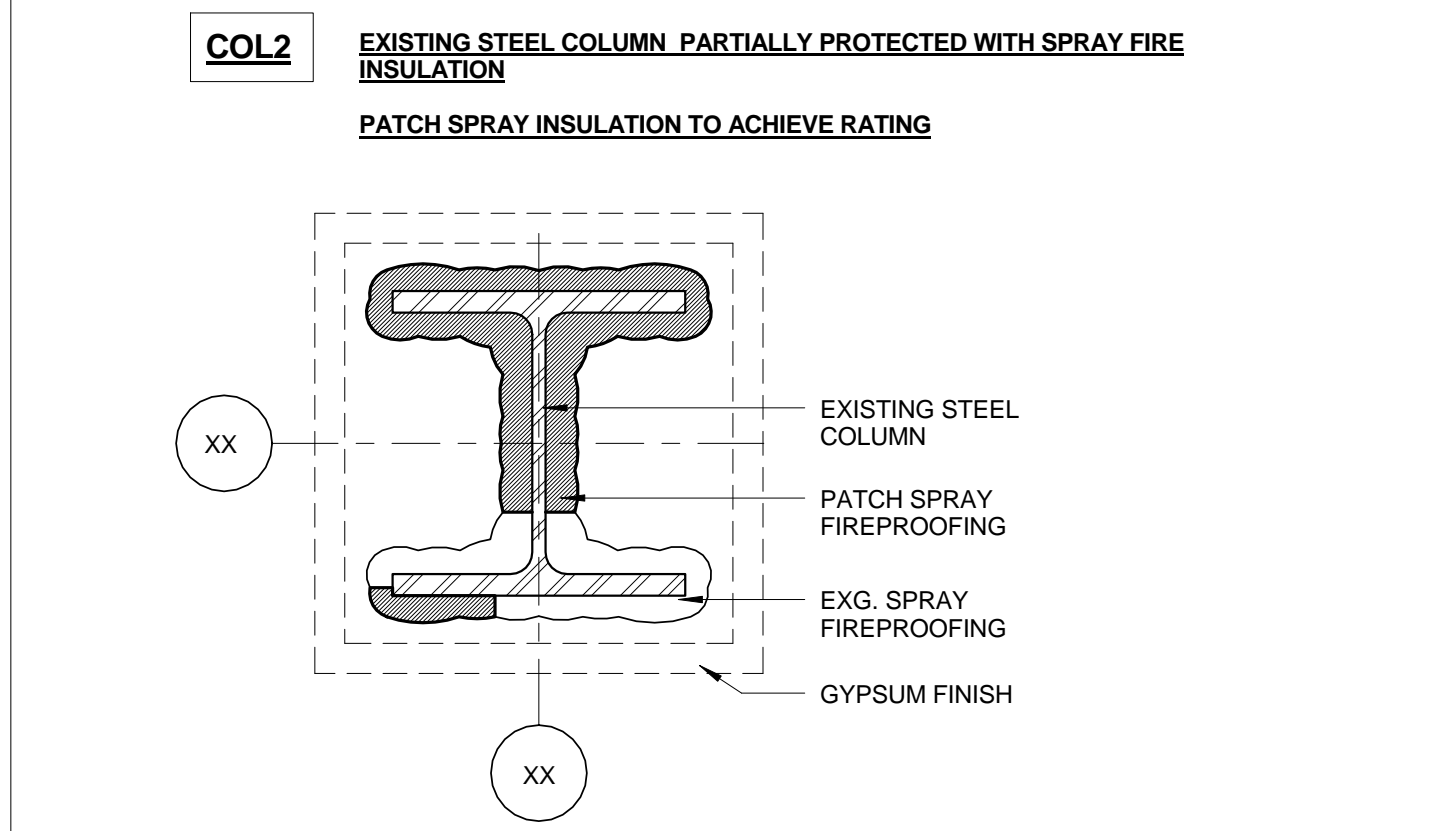


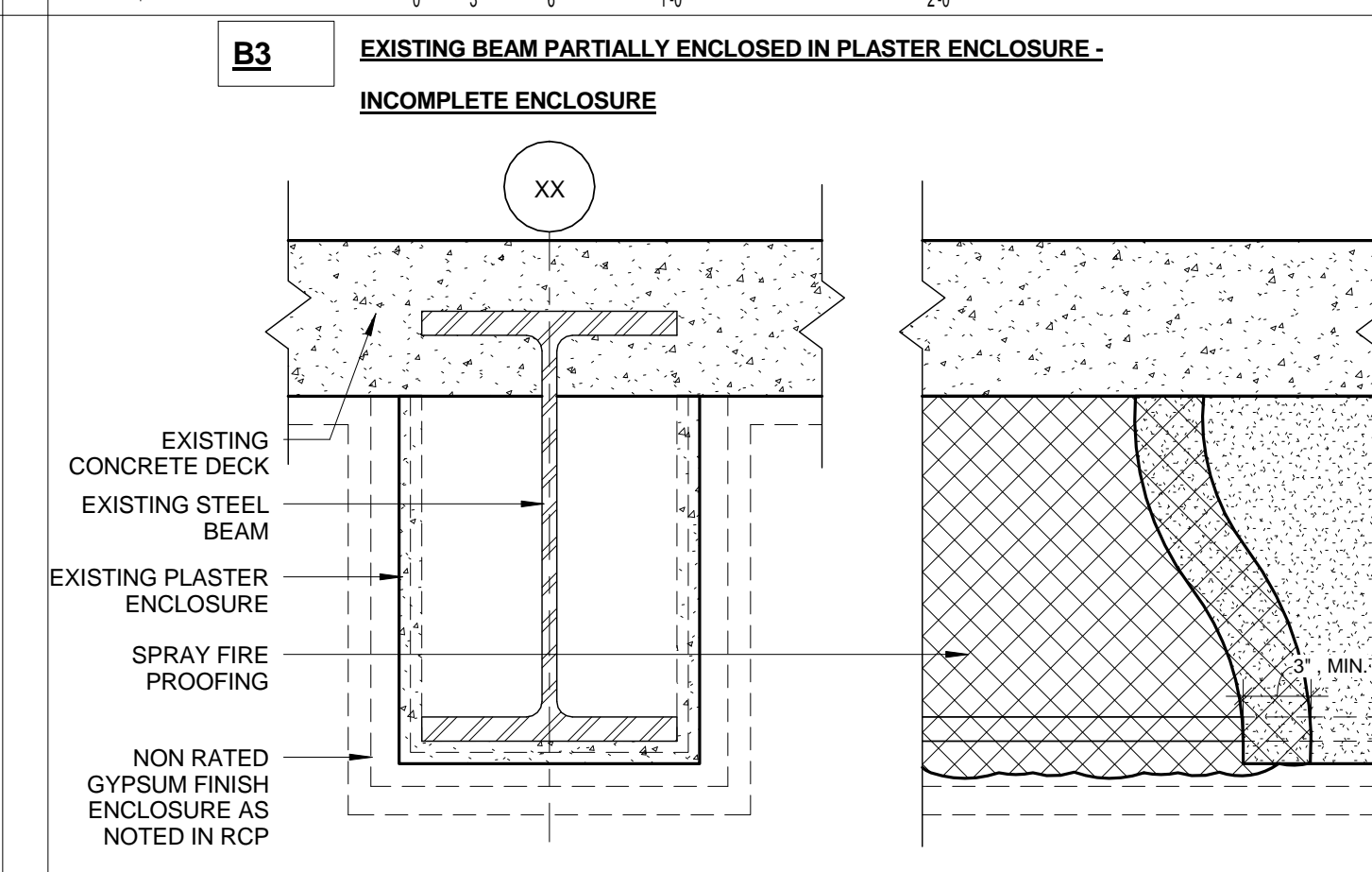
**12** BEAM ENCLOSURE TYPE 5  
1 1/2" = 1'-0"



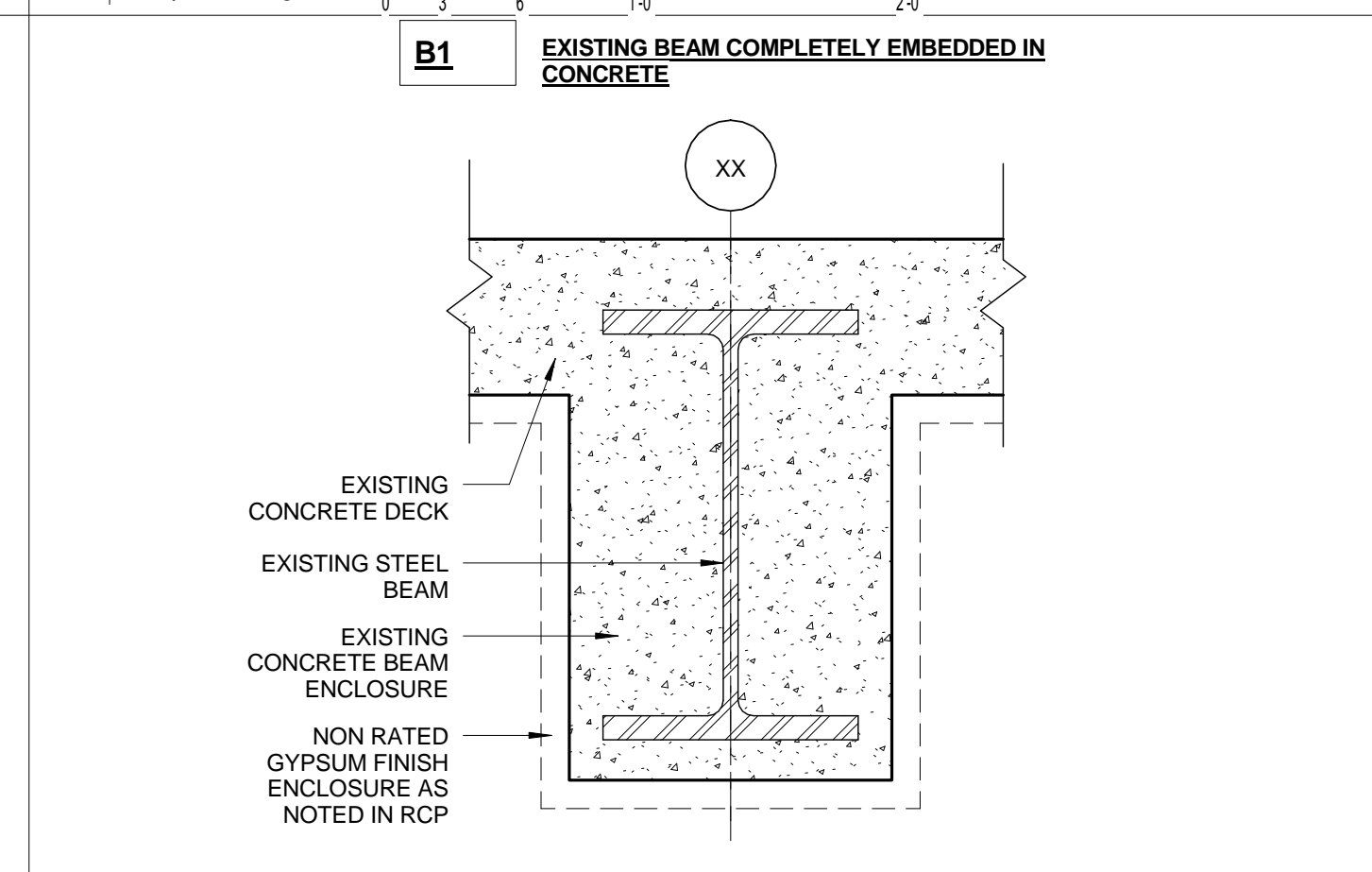
**8** BEAM ENCLOSURE TYPE 2  
1 1/2" = 1'-0"



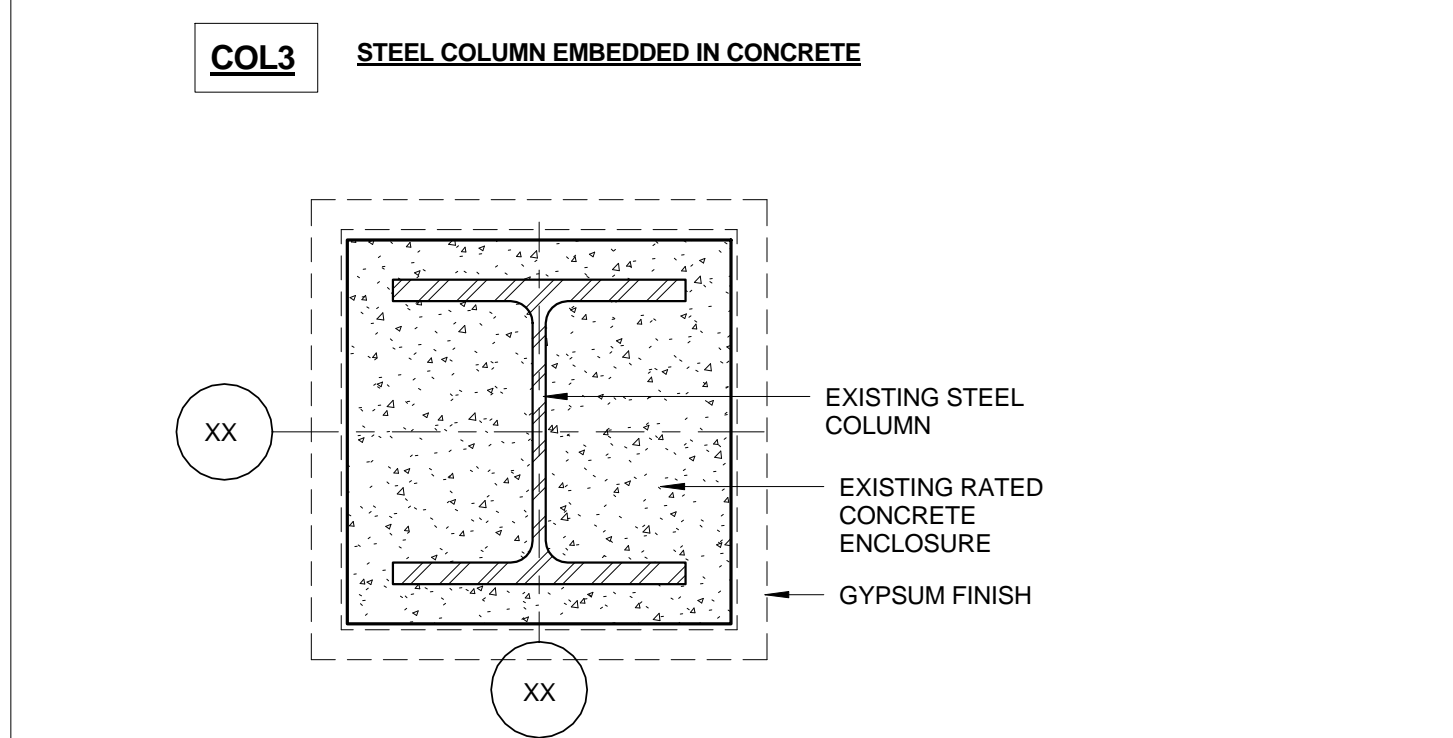
**4** COLUMN ENCLOSURE TYPE 4  
1 1/2" = 1'-0"



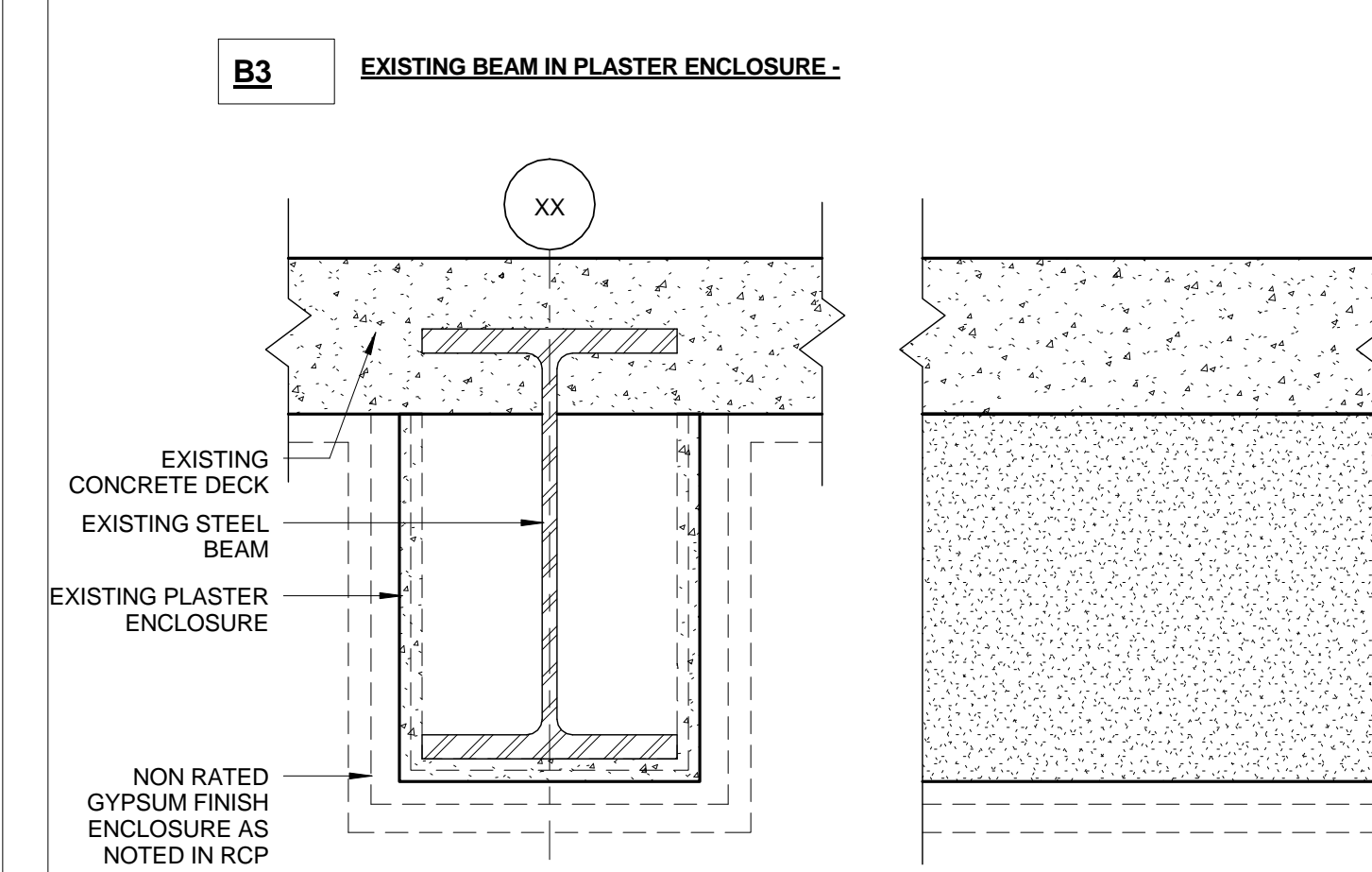
**11** BEAM ENCLOSURE TYPE 4  
1 1/2" = 1'-0"



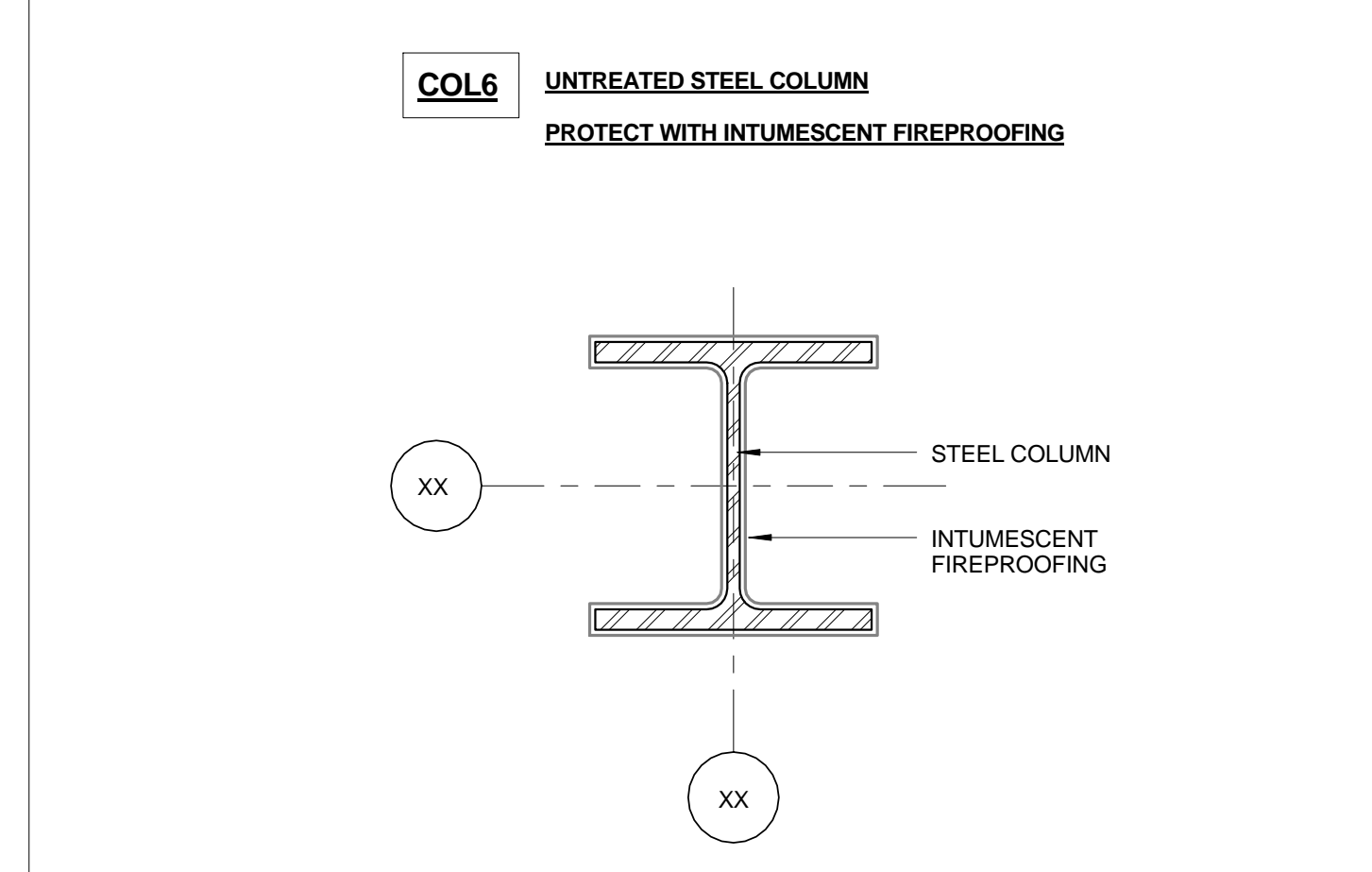
**7** BEAM ENCLOSURE TYPE 1  
1 1/2" = 1'-0"



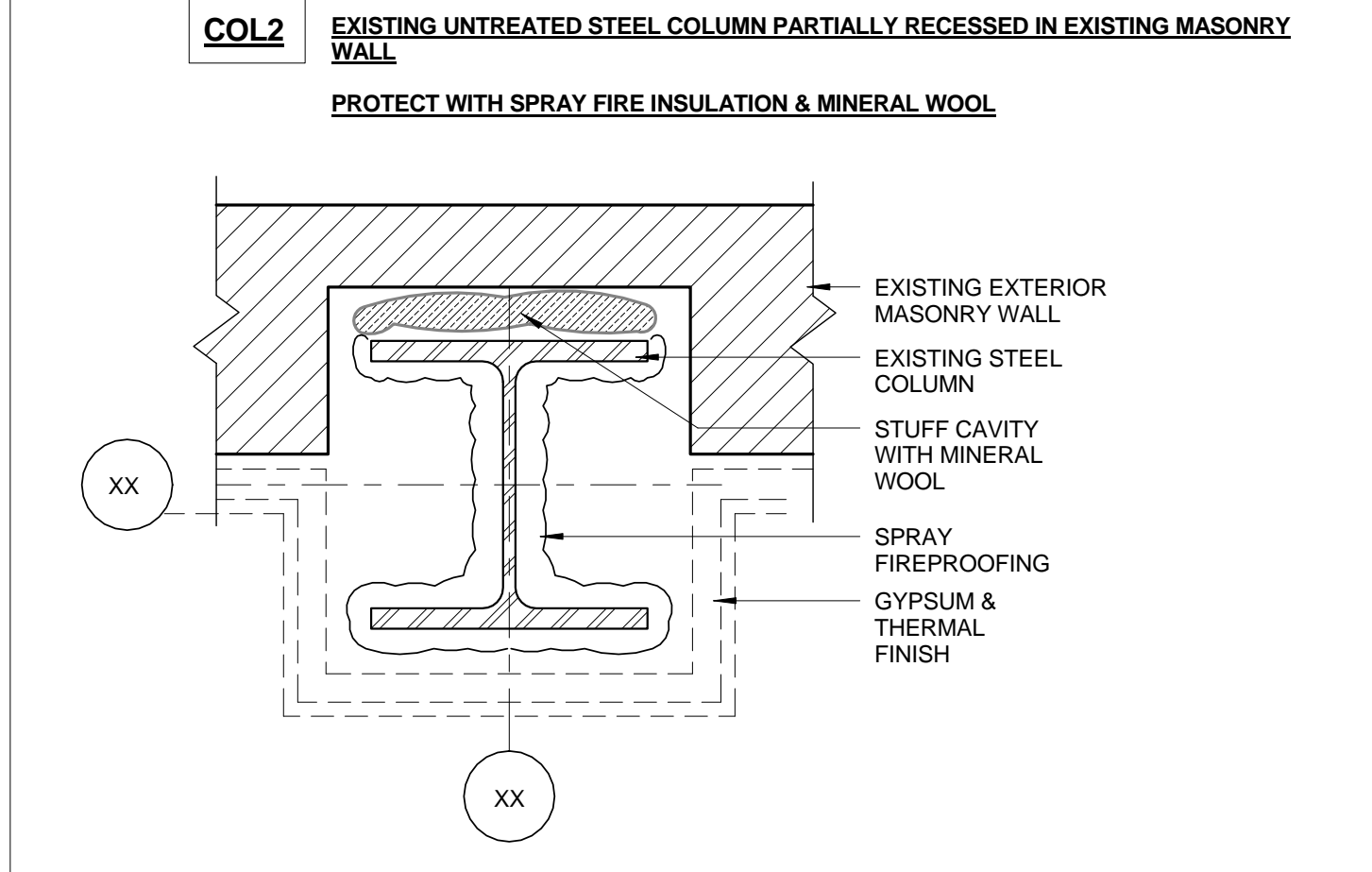
**3** COLUMN ENCLOSURE TYPE 3  
1 1/2" = 1'-0"



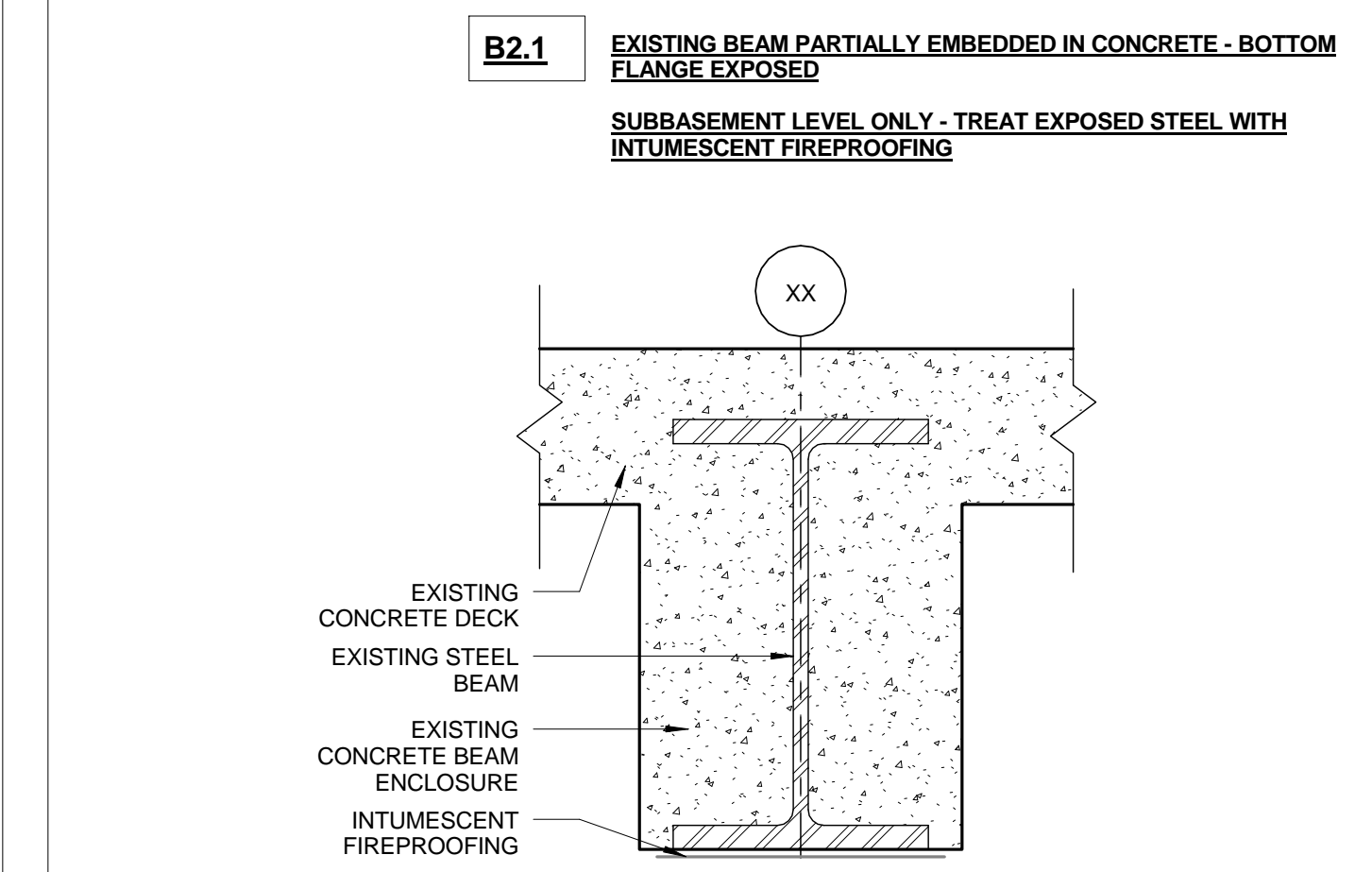
**10** BEAM ENCLOSURE TYPE 3  
1 1/2" = 1'-0"



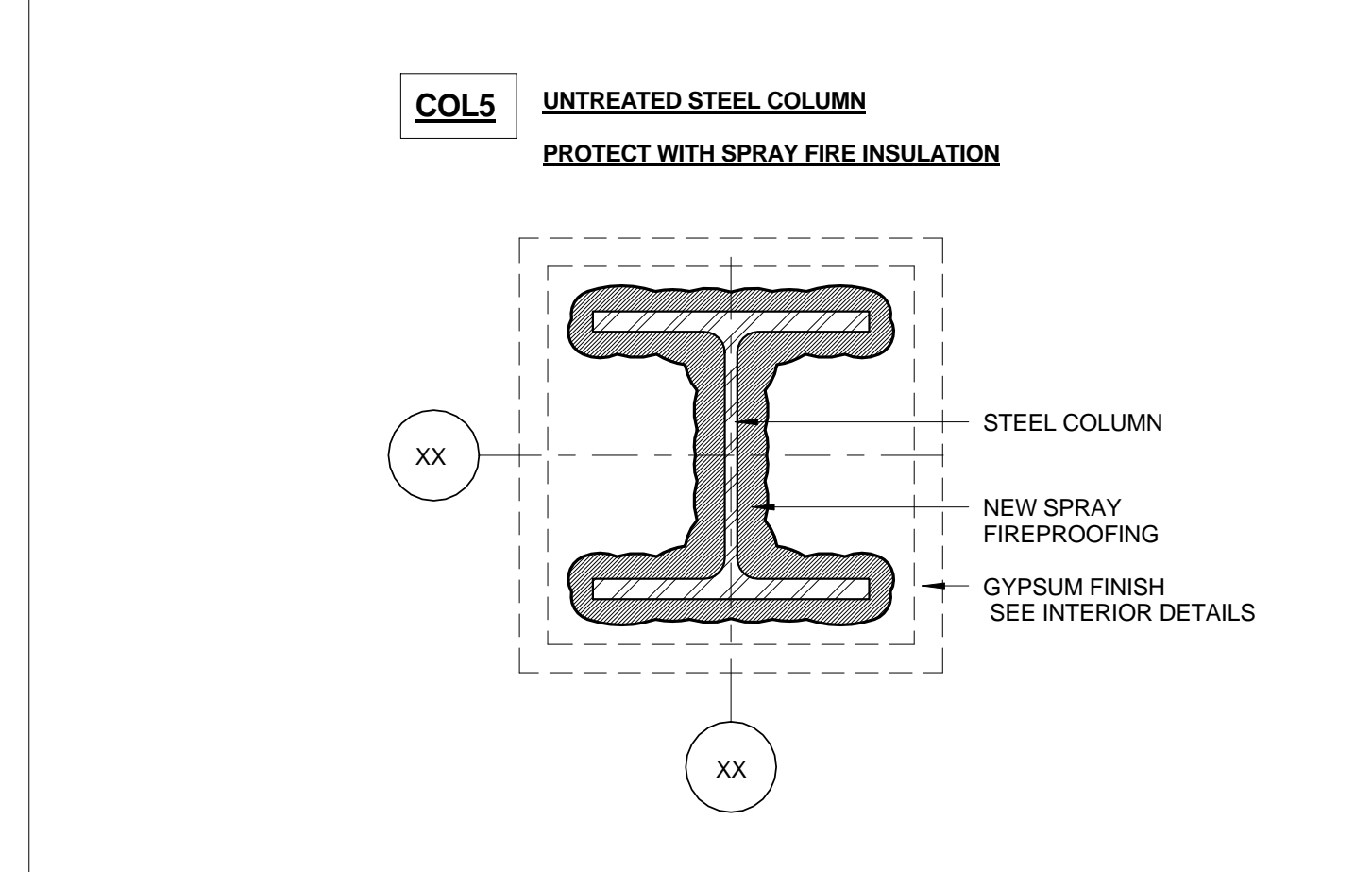
**6** COLUMN ENCLOSURE TYPE 6  
1 1/2" = 1'-0"



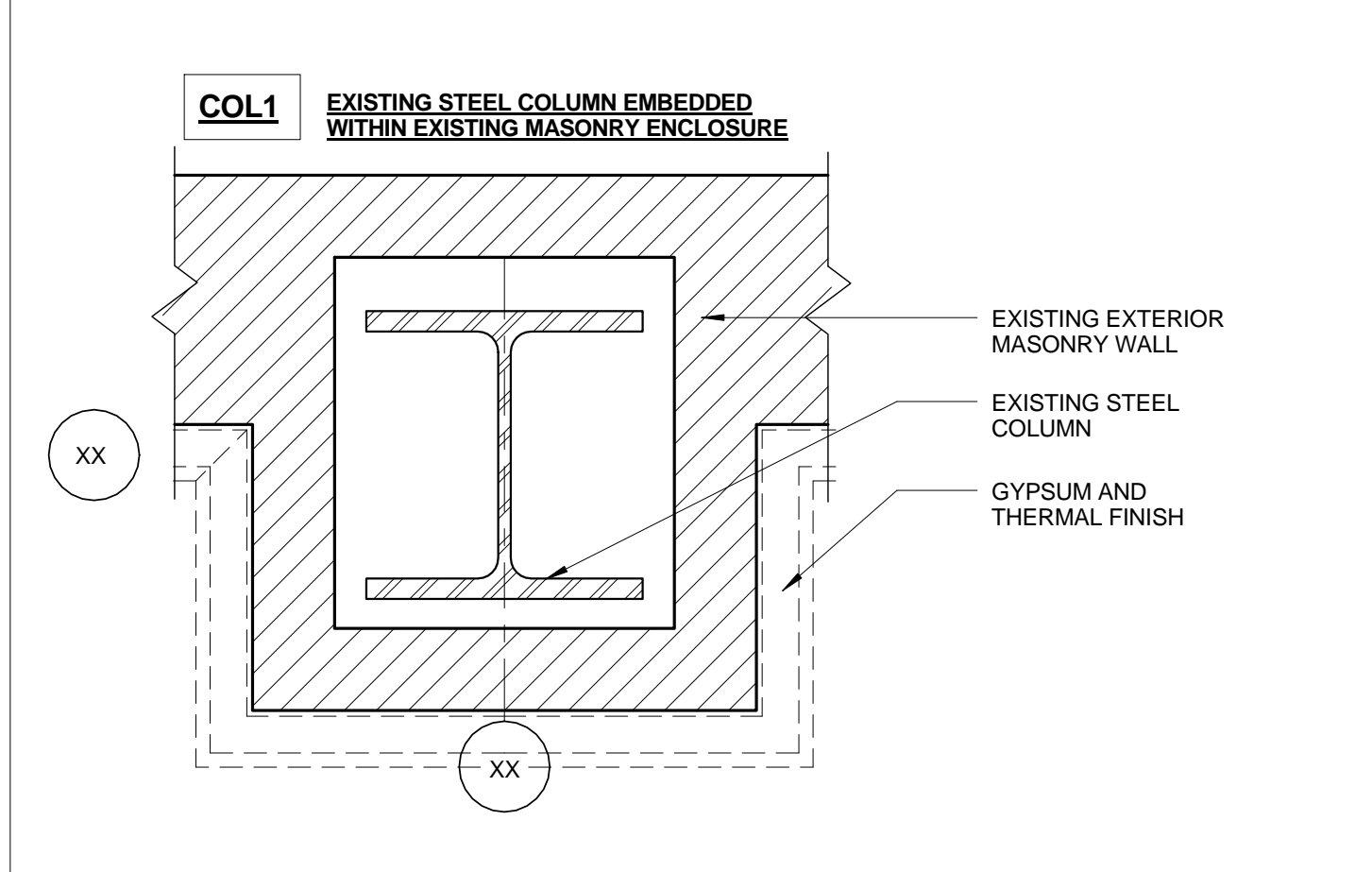
**2** COLUMN ENCLOSURE TYPE 2  
1 1/2" = 1'-0"



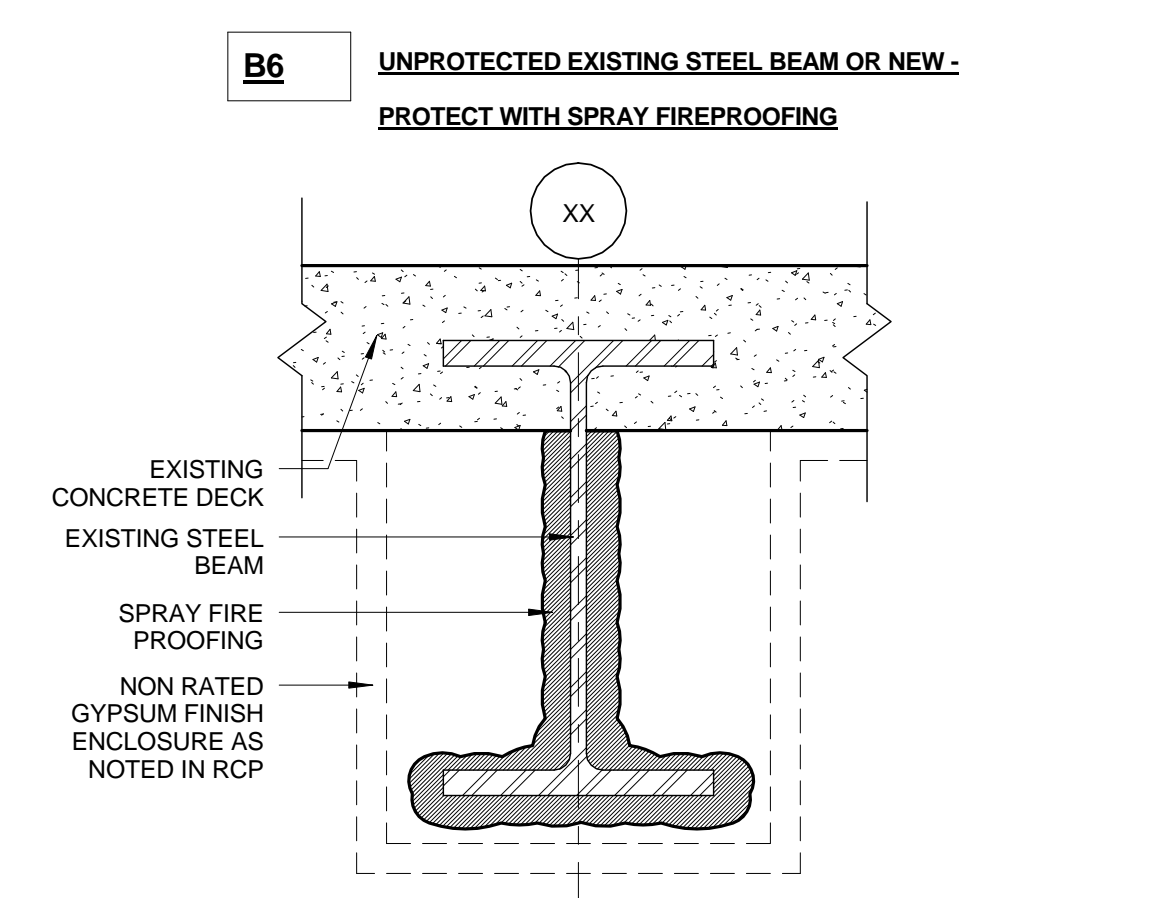
**9** BEAM ENCLOSURE TYPE 2.1  
1 1/2" = 1'-0"



**5** COLUMN ENCLOSURE TYPE 5  
1 1/2" = 1'-0"



**1** COLUMN ENCLOSURE TYPE 1  
1 1/2" = 1'-0"



**13** BEAM ENCLOSURE TYPE 6  
1 1/2" = 1'-0"

Prepared For:  
**119 Development, LLC**  
P.O. Box 7486  
Portland, ME 04112

Consultant:  
**ARCHETYPE architects**  
48 Union Wharf Portland, Maine 04101  
(207) 772-6022 Fax (207) 772-4056

Project:  
**PRESS HOTEL**  
390 CONGRESS STREET  
PORTLAND, ME 04101

Revisions:  
2 13\_09-09 60% Marriott Sub. & Pric.  
3 13\_10-14 Issue for Bid & Marriott Revw

Date: 14 OCT 13  
Scale: 1 1/2" = 1'-0"  
**COLUMN AND BEAM TYPES**

**A4.03**