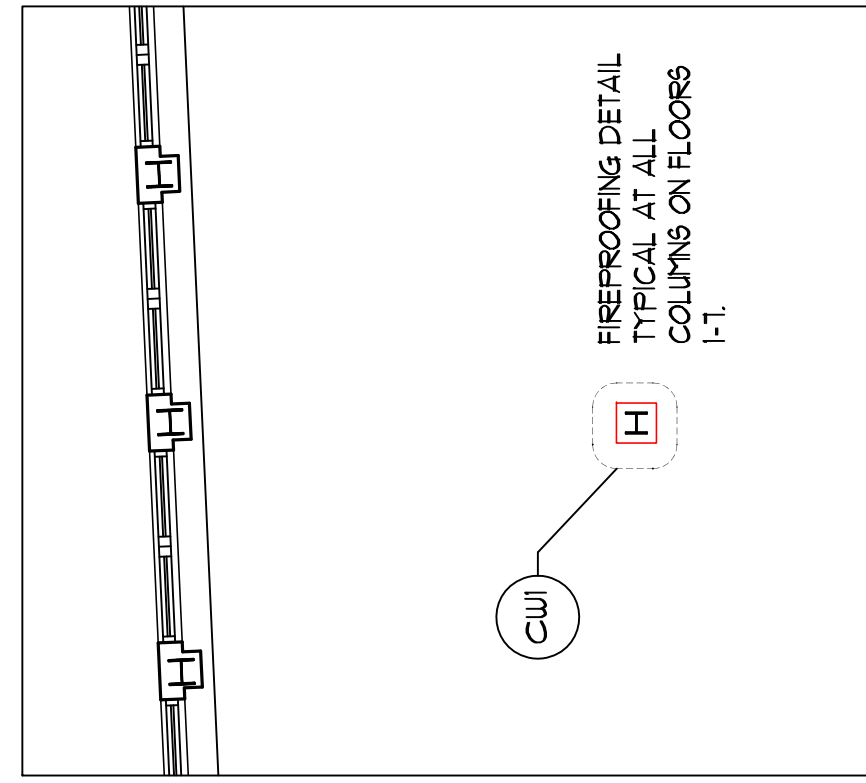
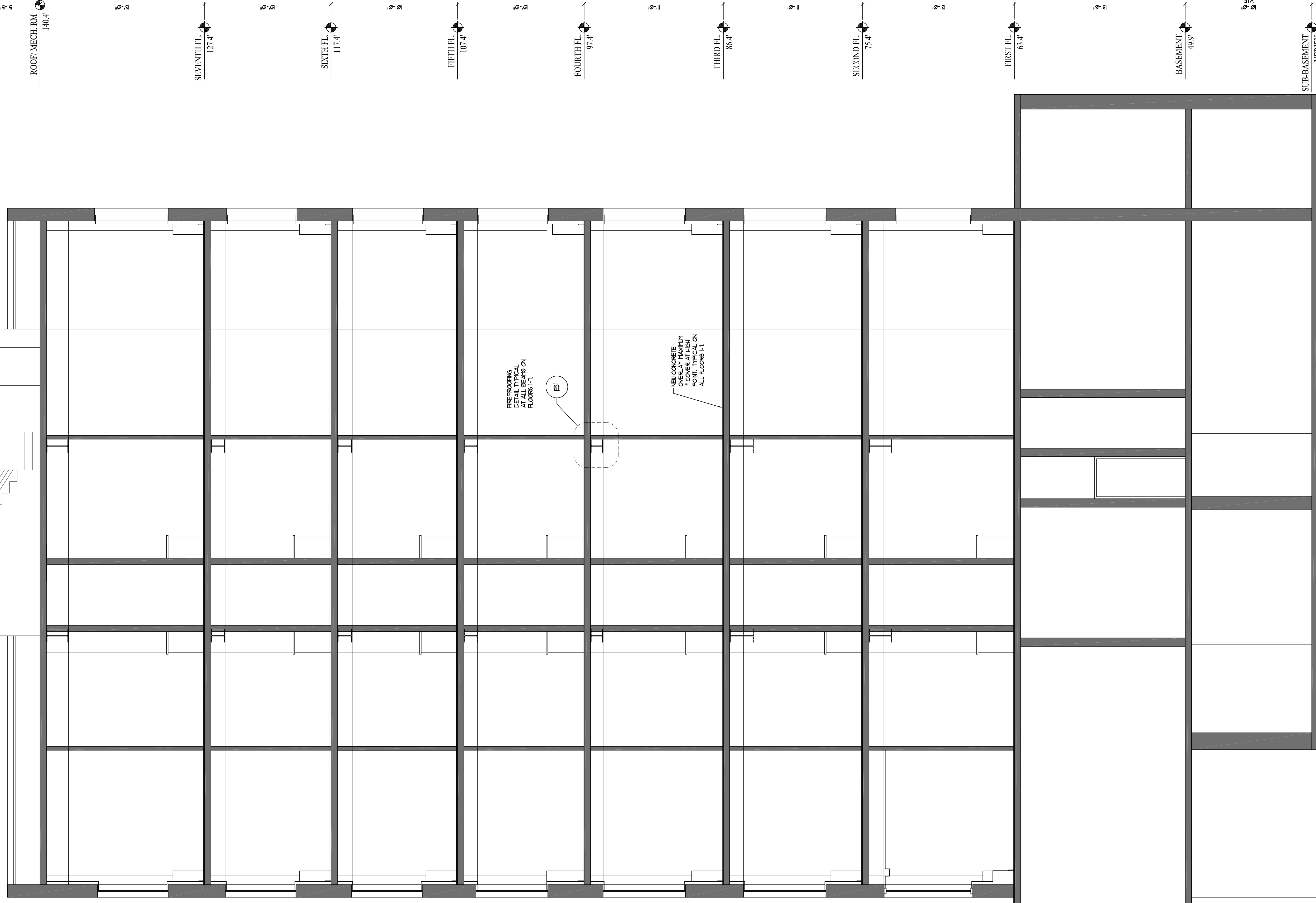
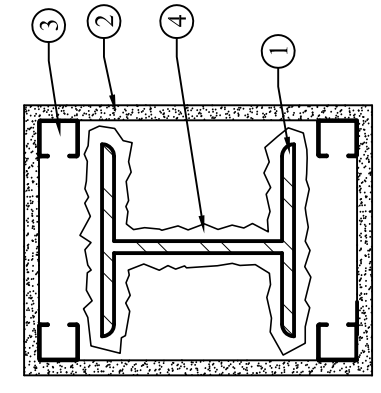


**1** | KEY PLAN  
NOT TO SCALE



**2** | FIREPROOFING KEY PLAN  
SCALE: 1/8"=1'-0"

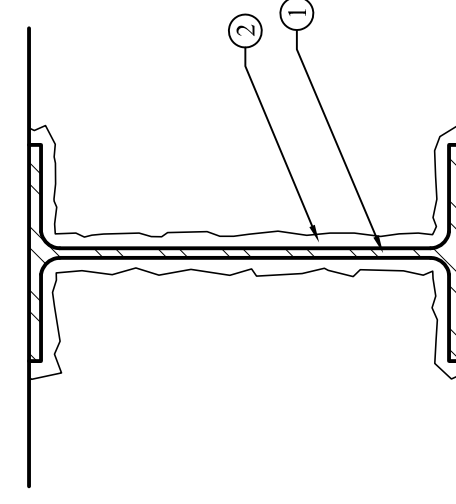
**FIREPROOFING DETAILS**



**CW1** 2-HOUR COLUMN WRAP  
SPRAY FIREPROOFING

1. STEEL COLUMN  
2. FIBERGLASS BOARD  
3. 2-HOUR SPRAY FIREPROOFING

4. 2-HOUR SPRAY FIREPROOFING



**B1** 2-HOUR COLUMN WRAP  
SPRAY FIREPROOFING

1. STEEL BEAM  
2. 2-HOUR SPRAY FIREPROOFING

**A** | BUILDING SECTION  
SCALE: 1/4"=1'-0"

Date: 14 February 2011  
Revisions: Issued for Partial Permit - 2-14-2011

Scale: AS NOTED  
Project: 390 CONGRESS ST.  
PORTLAND, MAINE

**A3.00**  
PARTIAL BUILDING PERMIT  
FOR FIREPROOFING  
AND LEVELING

Architect: **ARCHETYPE** architects  
48 Union Wharf Portland, Maine 04101  
(207) 772-6022 Fax (207) 772-4056

Consulting Engineer:

Prepared For: **GRAND METRO BUILDERS OF NEW YORK**  
25 South Service Road, Suite 300  
Jericho, New York

