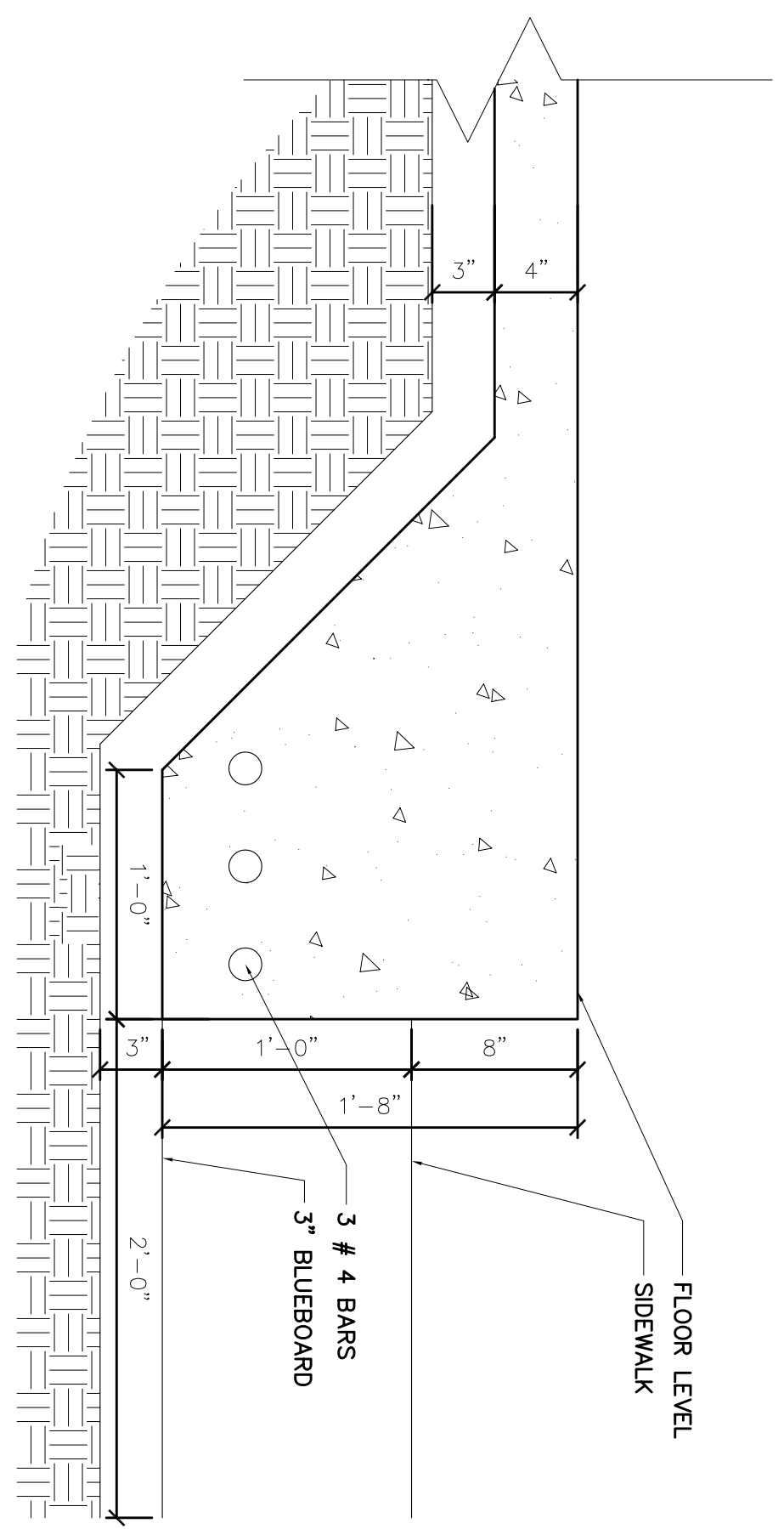
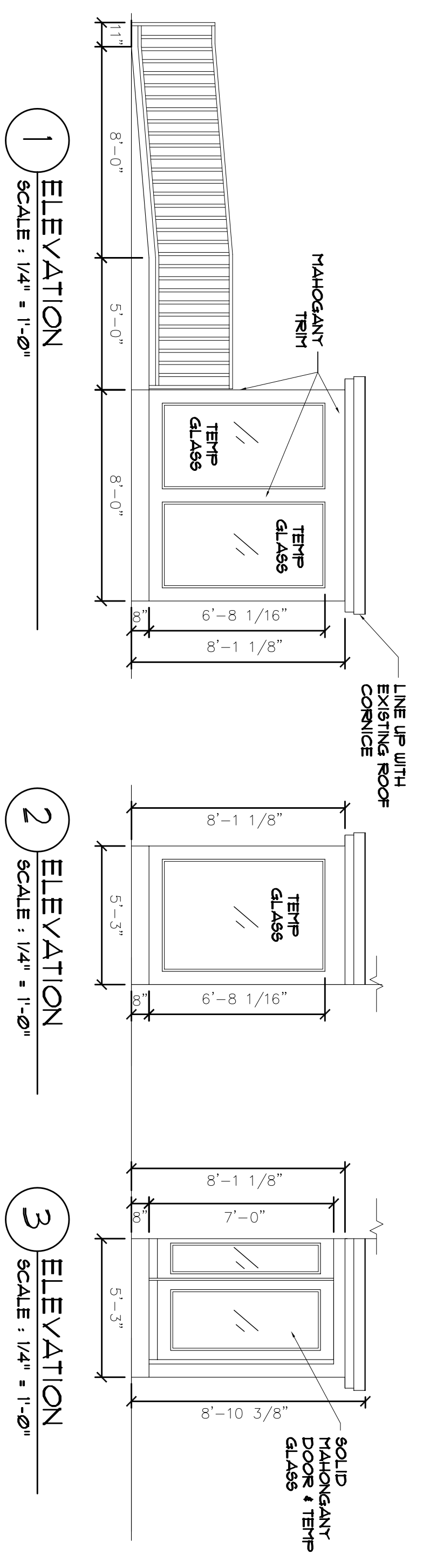


**PLAN**  
SCALE : 1/4" = 1'-0"



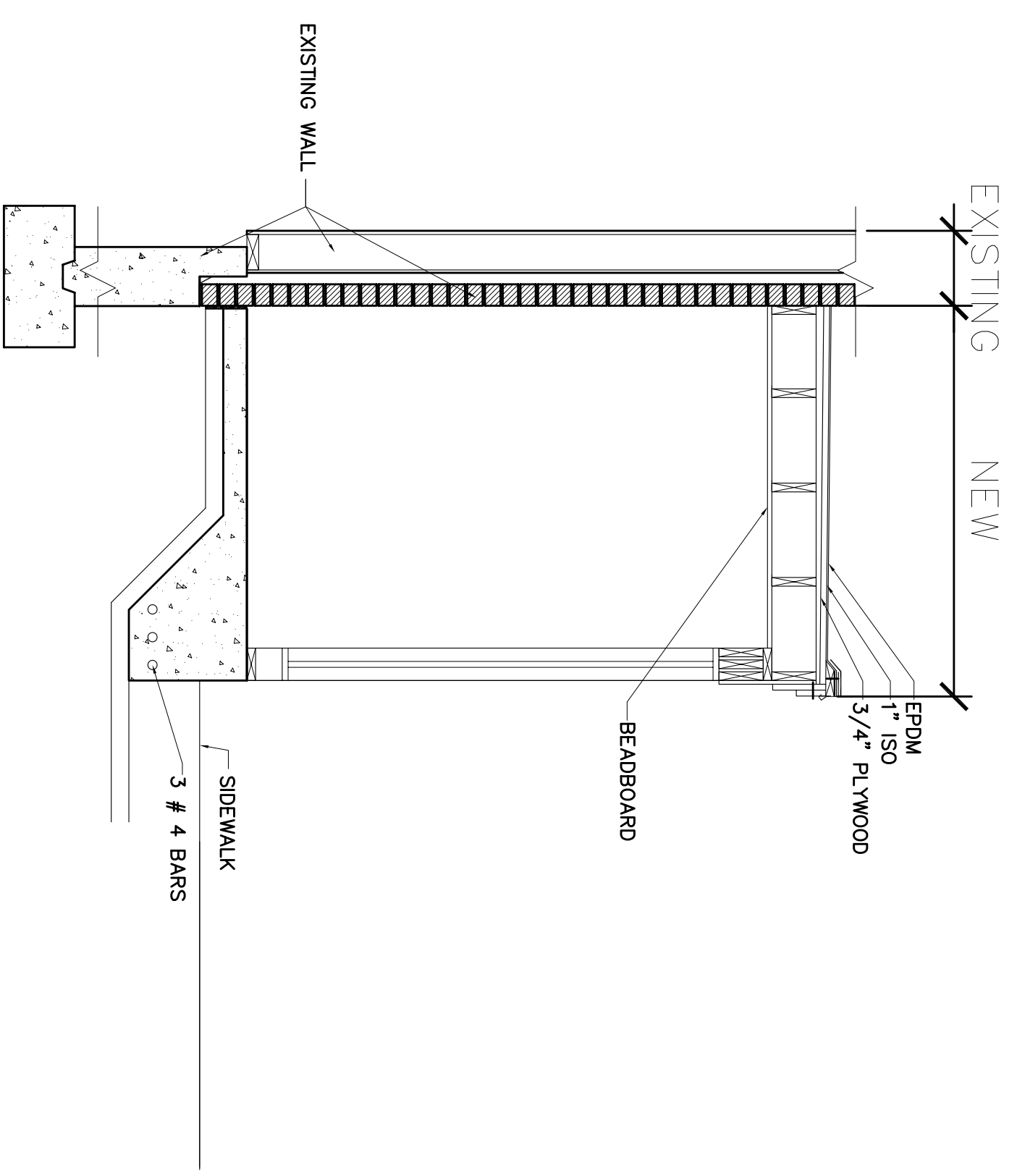
**SLAB DETAIL**  
SCALE : 1-1/2" = 1'-0"



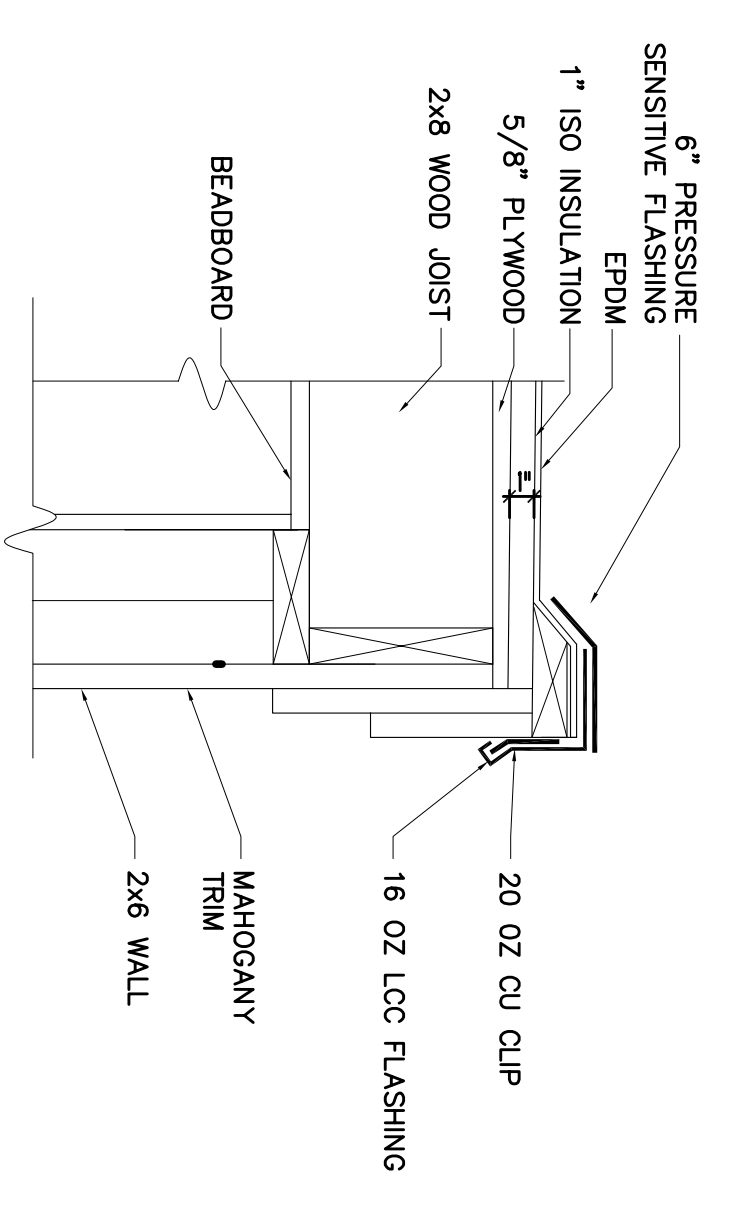
**1 ELEVATION**  
SCALE : 1/4" = 1'-0"

**2 ELEVATION**  
SCALE : 1/4" = 1'-0"

**3 ELEVATION**  
SCALE : 1/4" = 1'-0"



**4 SECTION**  
SCALE : 1/2" = 1'-0"



**ROOF DETAIL**  
SCALE : 1-1/2" = 1'-0"

<b>A-1</b>	<b>PROPOSED</b>	Date JUNE, 2007	Scale As Noted	Project:	<b>ARCHETYPE, P.A. ARCHITECTS</b> <small>48 Union Wharf Portland, Maine 04101 (207) 772-6022 Fax (207) 772-4056</small>	OWNER:
	<b>PLAN &amp; ELEVATION</b>	Revisions:		<b>SAPPORO</b> <small>230 COMMERCIAL ST. PORTLAND, MAINE 04101</small>		