

36 Union Wharf
Portland, Maine 04101
Tel - 207-772-8160
Fax - 207-772-8471

Proprietors of Union Wharf

3123b

Fax

P.S. The plan will be stamped by Archtype once you give the go ahead.

To: Mike Nugent From: Charlie Peole

Fax: 874-8716 Pages:

Phone: Date: 1/21/04

Re: #38 Union Wharf CC:

Urgent For Review Please Comment Please Reply Please Recycle

● Comments:

Hi Mike:

I am faxing you a revised plan showing the rise + run for the steps as per our conversation on 1/20/04.

2) The handrail as per our conversation and discussions with Arthur Roe.

Would you please call me when you can to discuss, 772-8160. As soon as you give us the OK, we will correct the steps + complete the handrail.

Thanks for your time.

Regards,

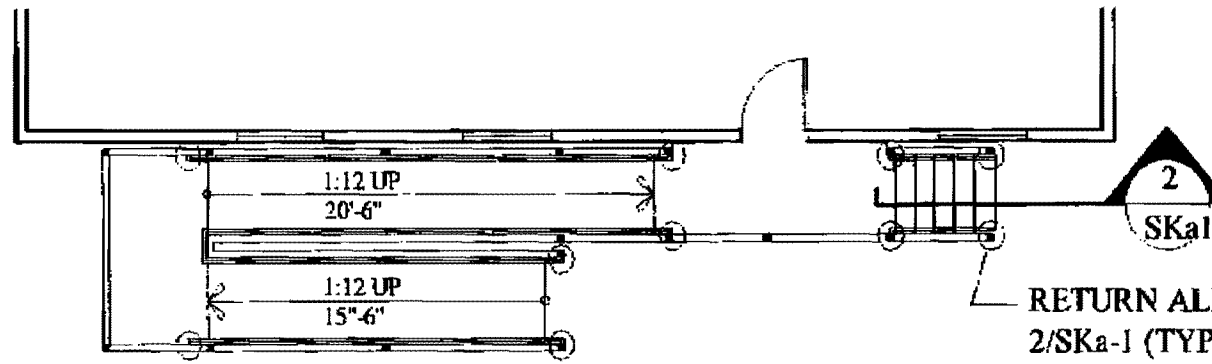
Charlie Peole
Union Wharf

JAN. 21 '04 (THU) 15:06

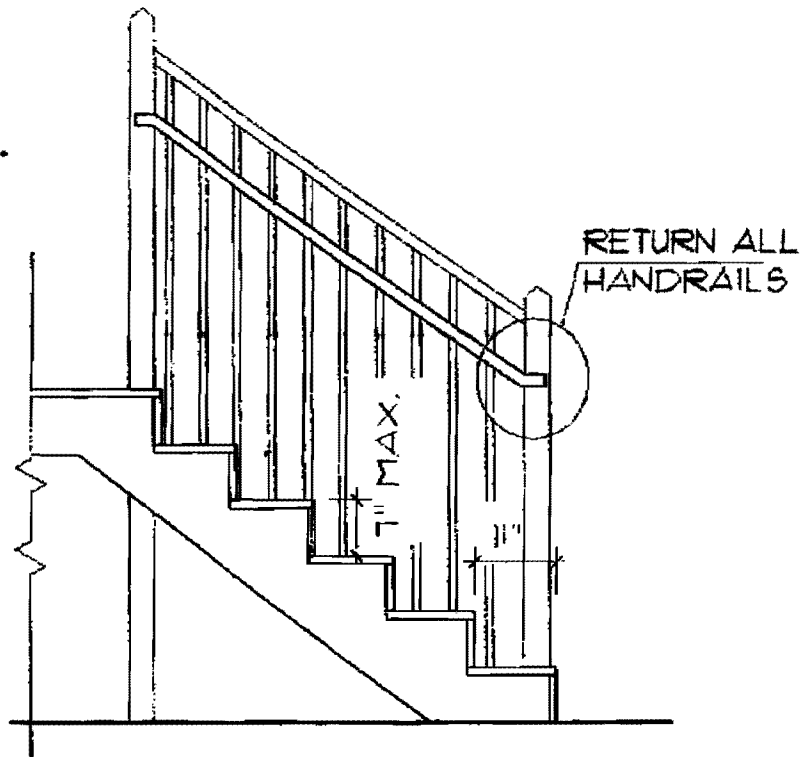
COMMUNICATION NO: 51

PAGE: 2

SKA1 01 21 03 15:06



1 PLAN - REVISED
 SKa1 1/8" = 1'-0"



2 STAIR DETAIL - REVISED
 SKa1 1/2" = 1'-0"

PROJECT: UNION WHARF - ACCESSIBLE RAMP/STAIR	
DRAWING: RAMP/STAIR - REVISED.	
ARCHITECT: ARCHETYPE, P.A. PORTLAND, MAINE	
SCALE: AS NOTED	SKa -1
DATE: JAN. 21, 2003	

36 Union Wharf
Portland, Maine 04101
Tel - 207-772-8160
Fax - 207-772-8471

Proprietors of Union Wharf

Fax

31 L35

To: Mike Nugent From: Charlie Poole

Fax: 874-8716 Pages:

Phone: _____ Date: 1/28/04

Re: #38 Union Wharf CC:

Urgent For Review Please Comment Please Reply Please Recycle

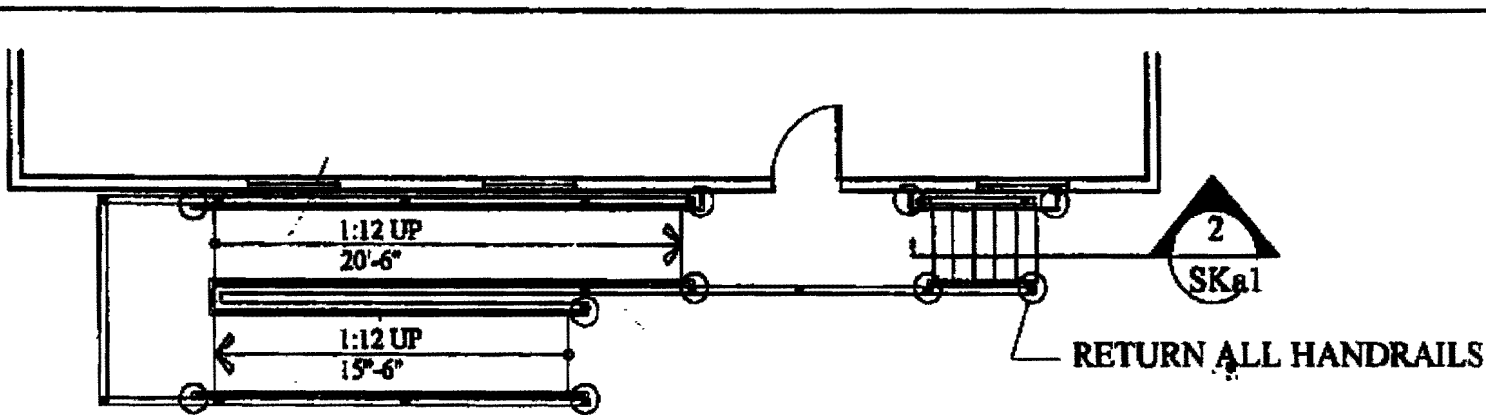
• Comments:

Hi Mike:

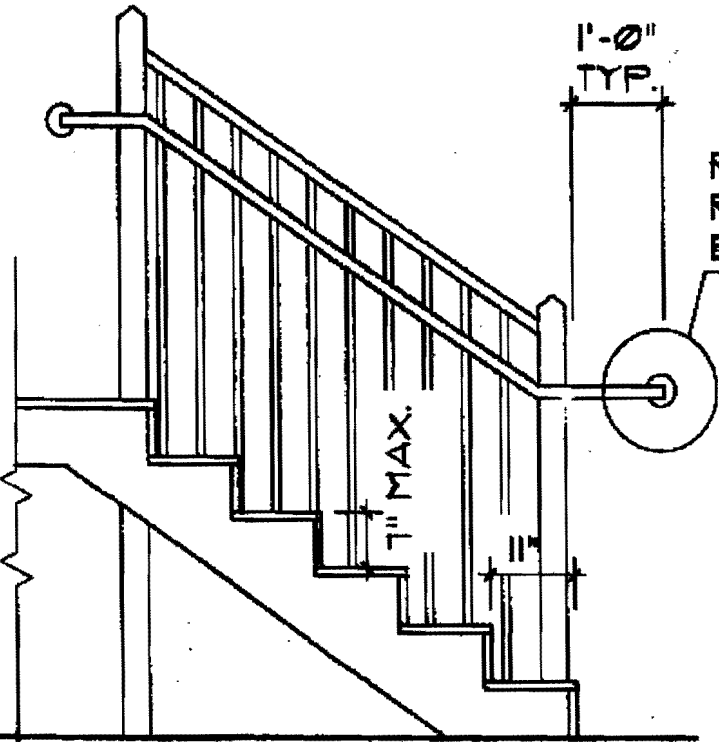
Here is the final plan for the steps + handrail for #38 Union Wharf. You have OK'd the steps. The hand-rail will be done in aluminum and therefore we will not need the rosette mounted on the building. Please call me 772-8160 to confirm we are OK to proceed. We have a welder ready to go. Thanks.

Charlie Poole

cc: Bill van der Putte, Kevin Info? Union Wharf



1 PLAN - REVISED
SKa1 1/8" = 1'-0"



RETURN HANDRAIL TO
ROSETTE MOUNTED ON
BUILDING.

*→ will not need,
done in aluminum,
will return to building. CAP, 12/2004*

2 STAIR DETAIL - REVISED
SKa1 1/2" = 1'-0"

PROJECT: UNION WHARF - ACCESSIBLE RAMP/STAIR	
DRAWING: RAMP/STAIR - REVISED	
ARCHITECT: ARCHETYPE, P.A. PORTLAND, MAINE	
SCALE: AS NOTED	
DATE: JAN. 21, 2003	
SKa -1	