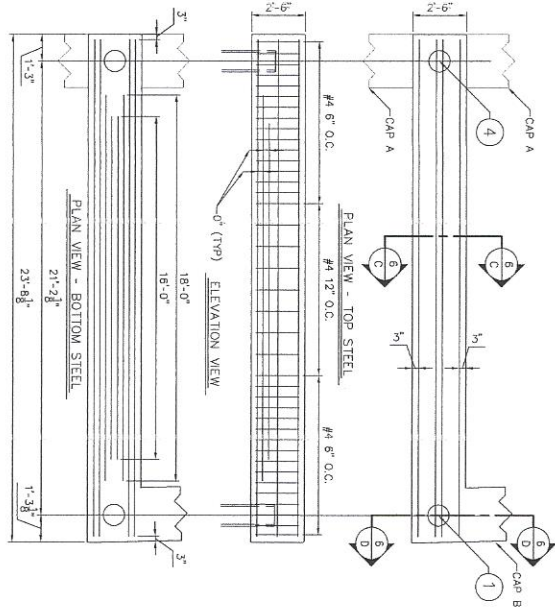
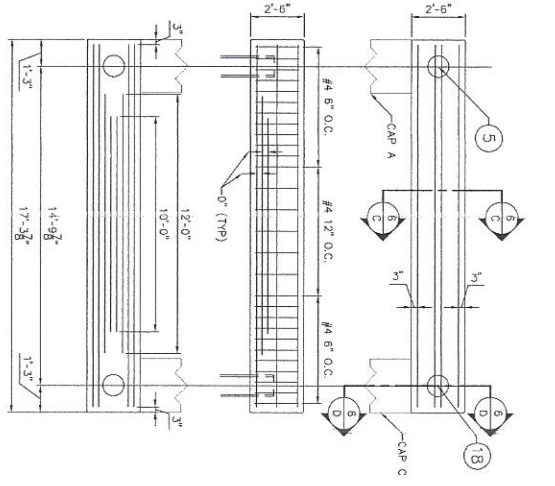


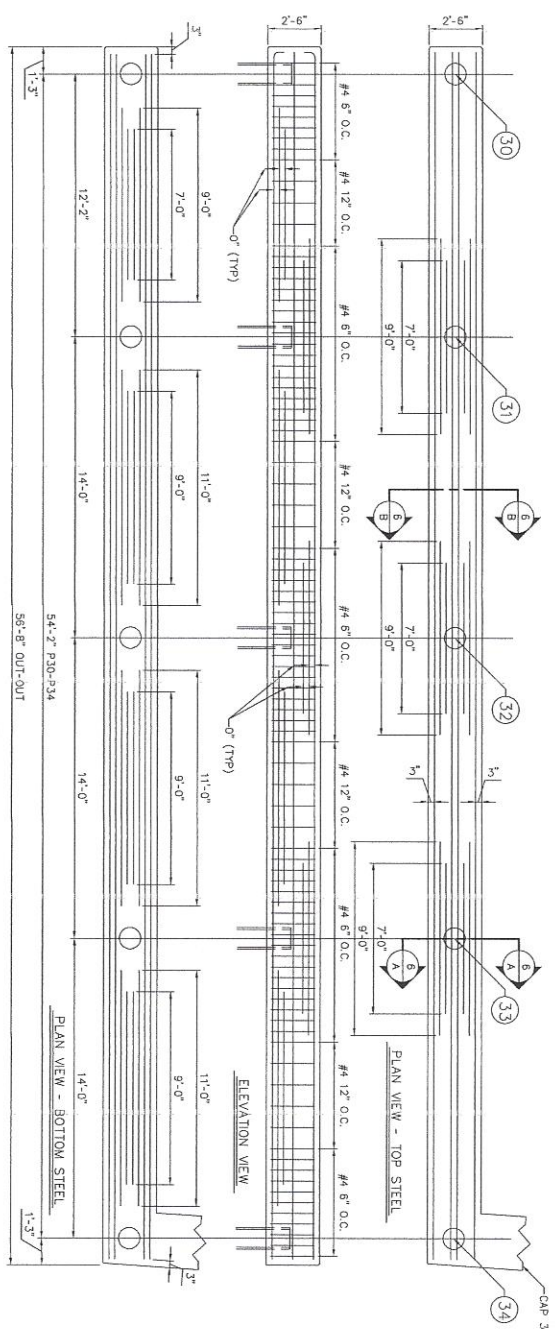
CAP 1 1/1



CAP 2 2/2



CAP 3 3/3



CAP C 2/2



PROPRIETORS OF UNION WHARF
PORTLAND, MAINE

UNION WHARF PER GERAR
CAP 1, CAP 2, CAP 3, AND CAP C

TEC ASSOCIATES ENGINEER
30 WATER STREET
PORTLAND, MAINE 04101

SCALE	3/8" = 1"
DATE	1/13/2017
DESIGNED BY	SWM
CHECKED BY	SWM
DATE	1/13/2017
SCALE	3/8" = 1"