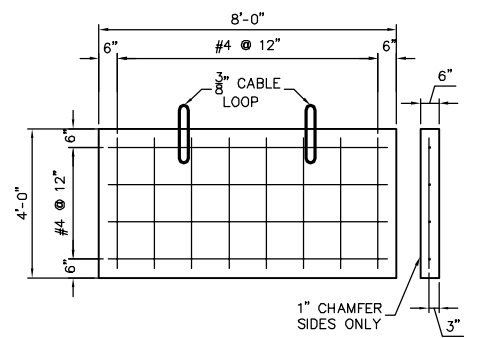
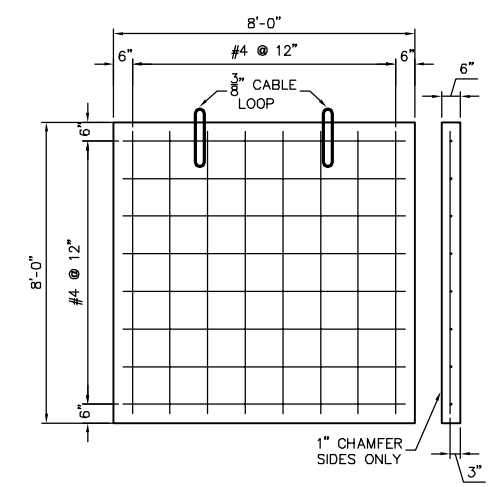


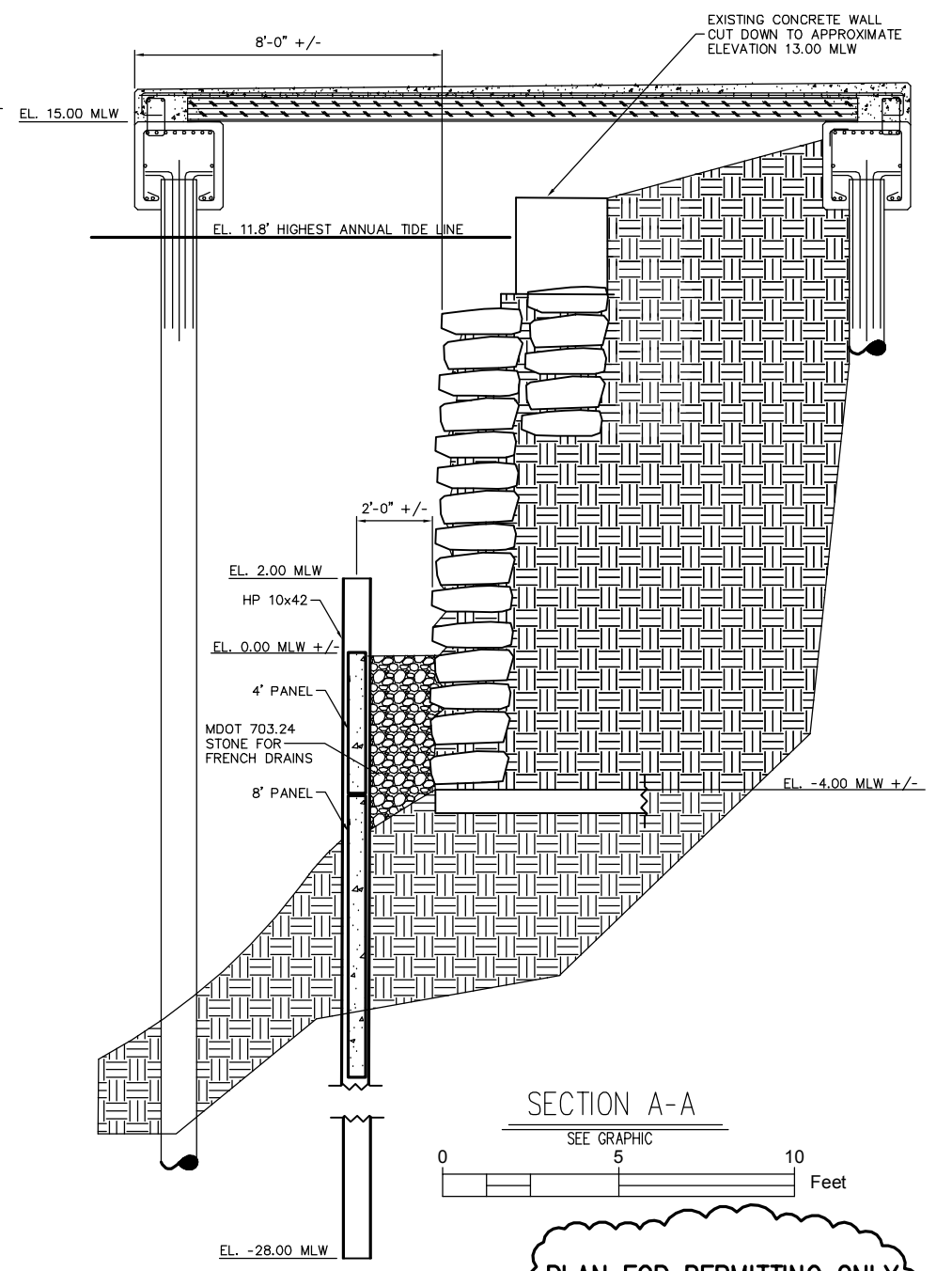
SCOUR PROTECTION - PLAN VIEW
SEE GRAPHIC



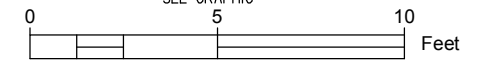
4' x 8' CONCRETE PANEL - (23) REQUIRED
NTS



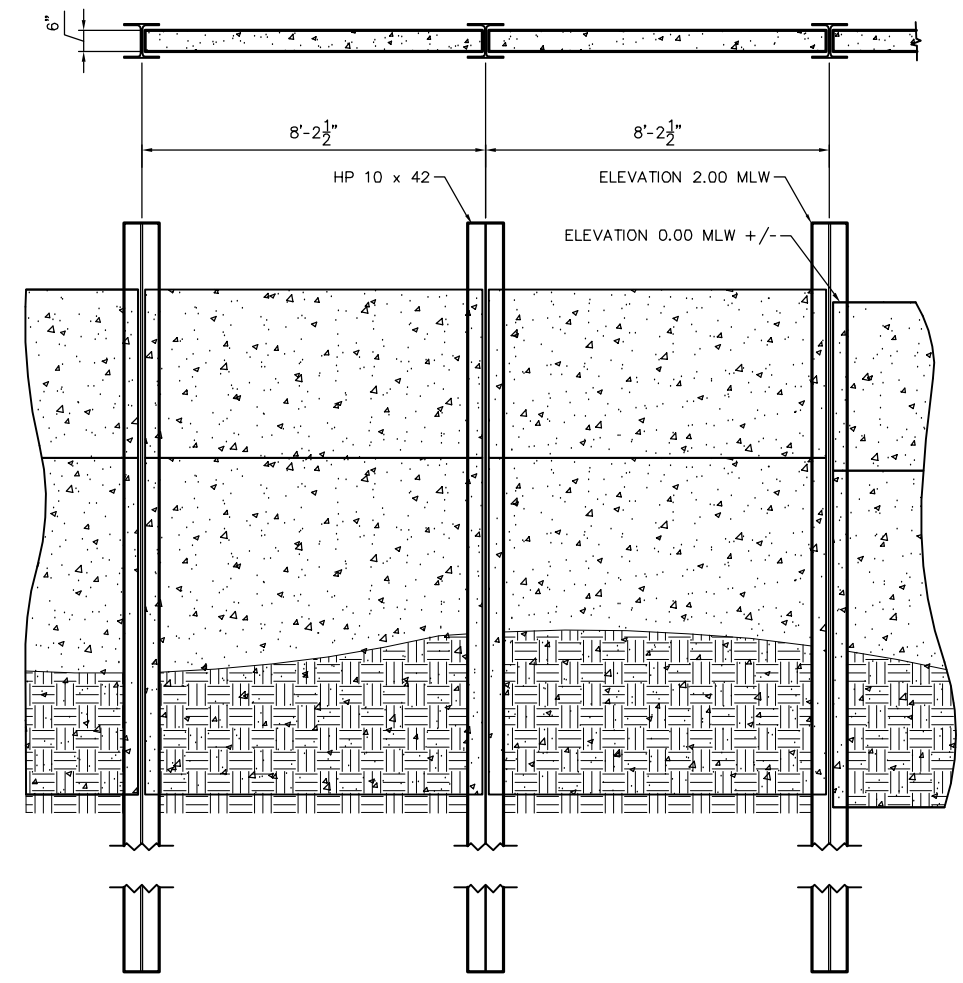
8' x 8' CONCRETE PANEL - (23) REQUIRED
NTS




SECTION A-A
SEE GRAPHIC



PLAN FOR PERMITTING ONLY,
NOT FOR CONSTRUCTION



SCOUR PROTECTION - ELEVATION VIEW
NTS

PROPRIETORS OF UNION WHARF PORTLAND, MAINE		 TEC ASSOCIATES CONSULTING ENGINEERS 46 SAWYER STREET SOUTH PORTLAND, MAINE 04106	
UNION WHARF PIER REPAIR SCOUR PROTECTION		SCALE SEE GRAPHIC	DATE 1/13/2017
JOB NUMBER 15165-1	DRAWN BY JDL & GWA	DESIGNED BY GWA	DRAWING NO. 9