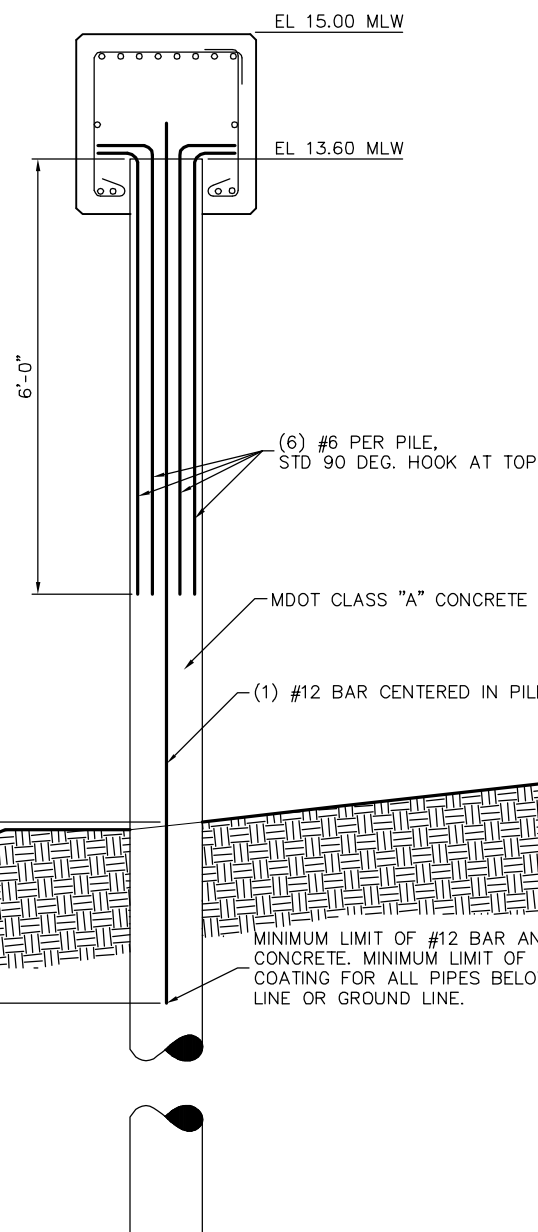


LEGEND

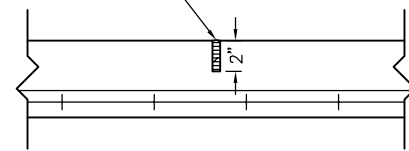
--- CONTRACTION JOINT

PLAN VIEW - CAST IN PLACE DECK



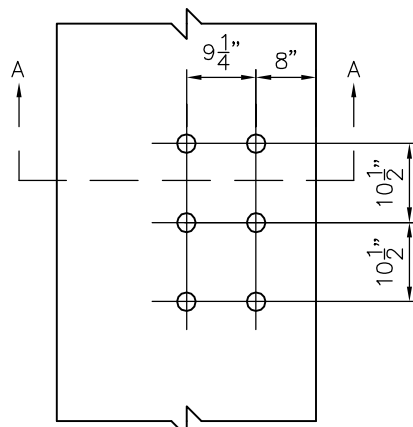
PIPE PILE CROSS SECTION

CONTRACTION JOINT
SAW CUT AND
FILLED WITH ELASTOMERIC
JOINT SEALANT



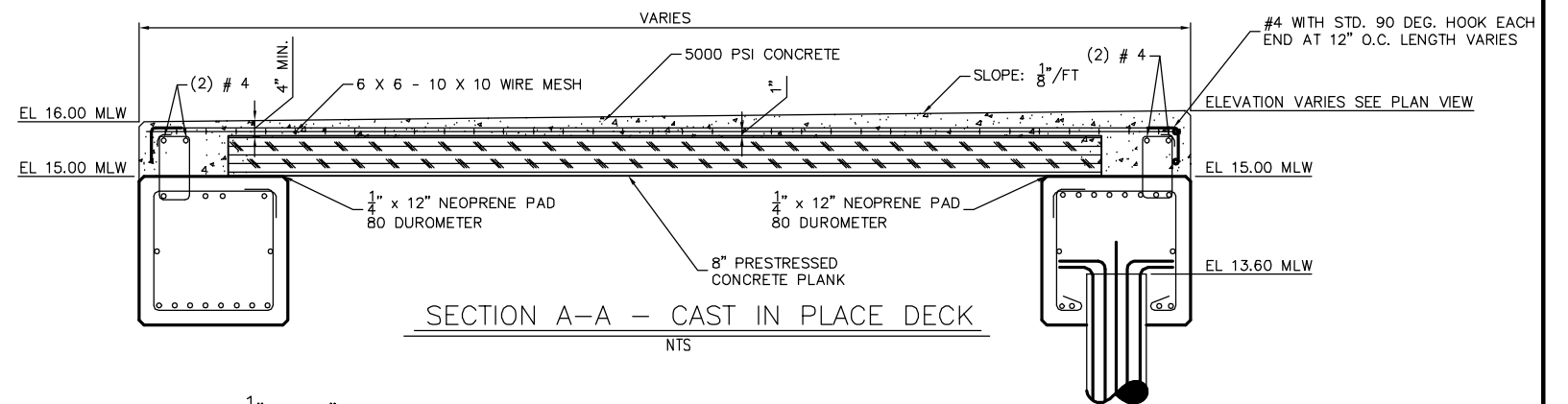
CONTRACTION JOINT CROSS SECTION

NTS



PLAN VIEW - CLEAT

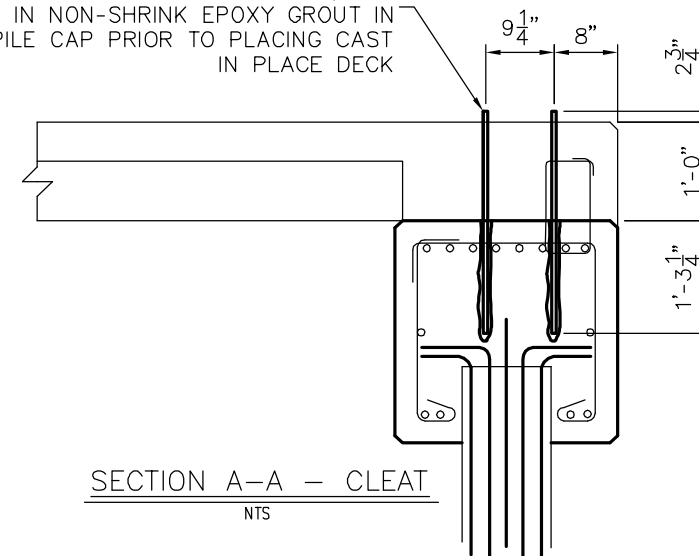
NTS



SECTION A-A - CAST IN PLACE DECK

NTS

1 1/4" x 30" GALVANIZED ANCHOR BOLT,
SWEDGED OR FULLY THREADED, SET
IN NON-SHRINK EPOXY GROUT IN
PILE CAP PRIOR TO PLACING CAST
IN PLACE DECK



SECTION A-A - CLEAT

NTS

PLAN FOR PERMITTING ONLY,
NOT FOR CONSTRUCTION

PROPRIETORS OF UNION WHARF
PORTLAND, MAINE



TEC ASSOCIATES

46 SAWYER STREET

CONSULTING
ENGINEERS

SOUTH PORTLAND, MAINE 04106

UNION WHARF PIER REPAIR
CAST-IN-PLACE DECK AND PILE SECTION

SCALE SEE GRAPHIC

DATE 1/13/2017

JOB NUMBER
15165-1

DRAWN BY
JDL & GWA

DESIGNED BY
GWA

DRAWING NO.
7