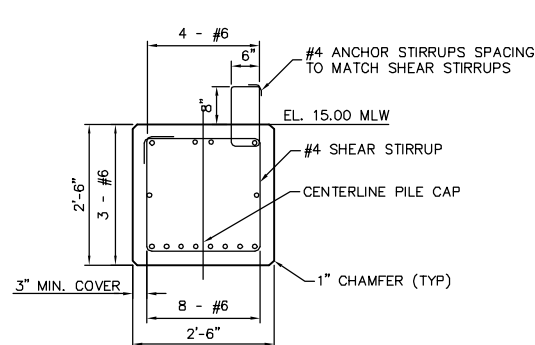
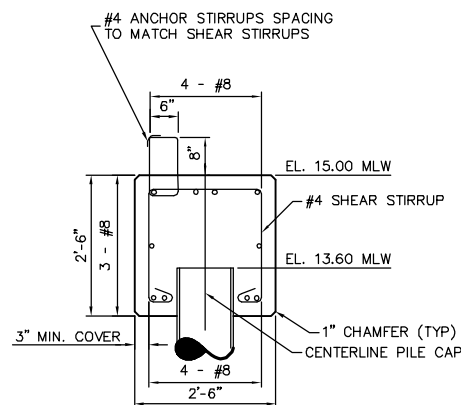


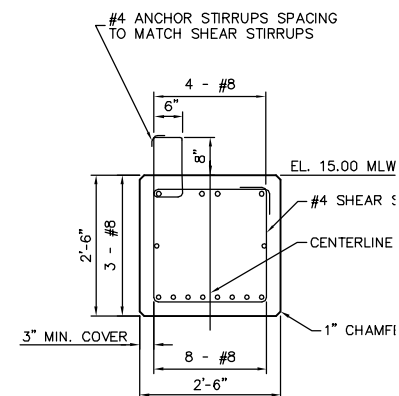
CAP A SECTION A-A
 CAP B SECTION A-A
 CAP C SECTION A-A
 CAP 1 SECTION A-A



CAP A SECTION B-B
 CAP B SECTION B-B
 CAP C SECTION B-B
 CAP 1 SECTION B-B



CAP 2 SECTION D-D
 CAP 3 SECTION D-D



CAP 2 SECTION C-C
 CAP 3 SECTION C-C

PLAN FOR PERMITTING ONLY,
 NOT FOR CONSTRUCTION

PROPRIETORS OF UNION WHARF PORTLAND, MAINE		TEC ASSOCIATES CONSULTING ENGINEERS 46 SAWYER STREET SOUTH PORTLAND, MAINE 04106	
UNION WHARF PIER REPAIR CAP A		SCALE NTS JOB NUMBER 15165-1	DATE 1/13/2017 DRAWN BY JDL & GWA DESIGNED BY GWA DRAWING NO. 6