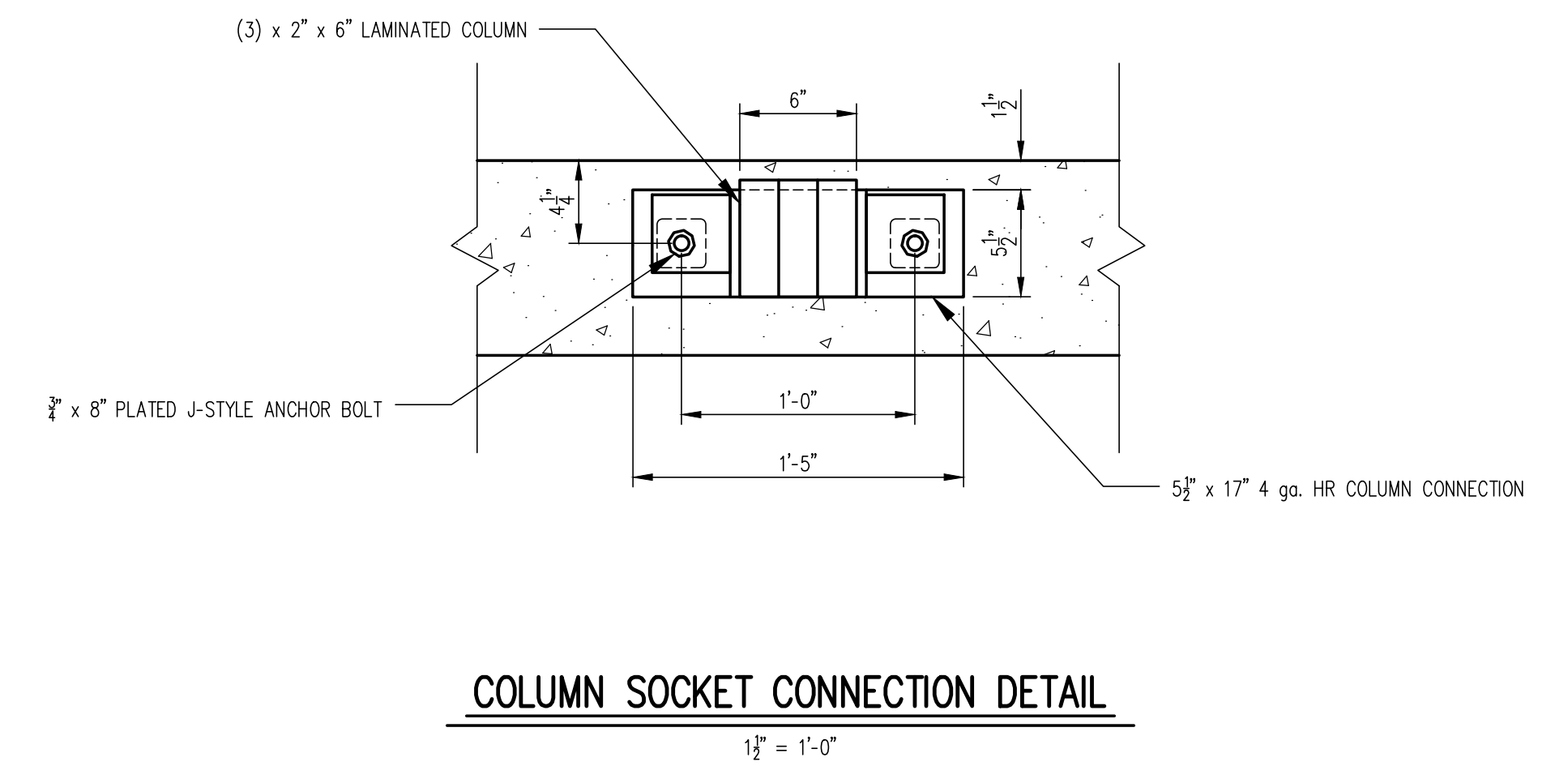
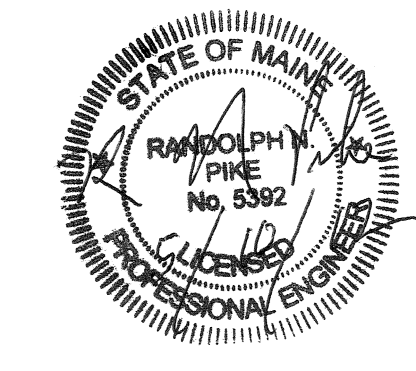


ANCHOR BOLT LOCATION DIAGRAM
 $\frac{1}{2}'' = 1'-0''$



COLUMN SOCKET CONNECTION DETAIL
 $\frac{1}{2}'' = 1'-0''$



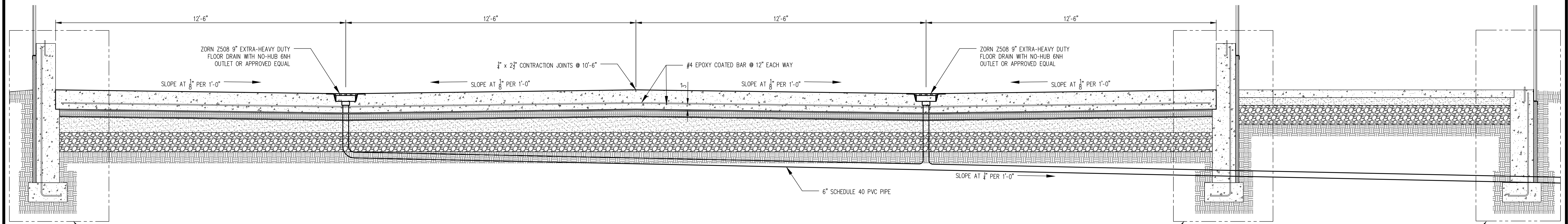
PROPRIETORS OF UNION WHARF
 PORTLAND, MAINE

MORTON PREFABRICATED BUILDING -
 CONCRETE FOUNDATION AND SLAB

REVISION		SCALE	NOTED	DATE	20 MARCH 2012
C	INCREASED REQUIRED INSULATION	5/10/2012			
B	ADDED #4 BAR IN SLAB	4/25/2012			
A	REMOVED KNEEWALL AT OFFICE	4/2/2012			

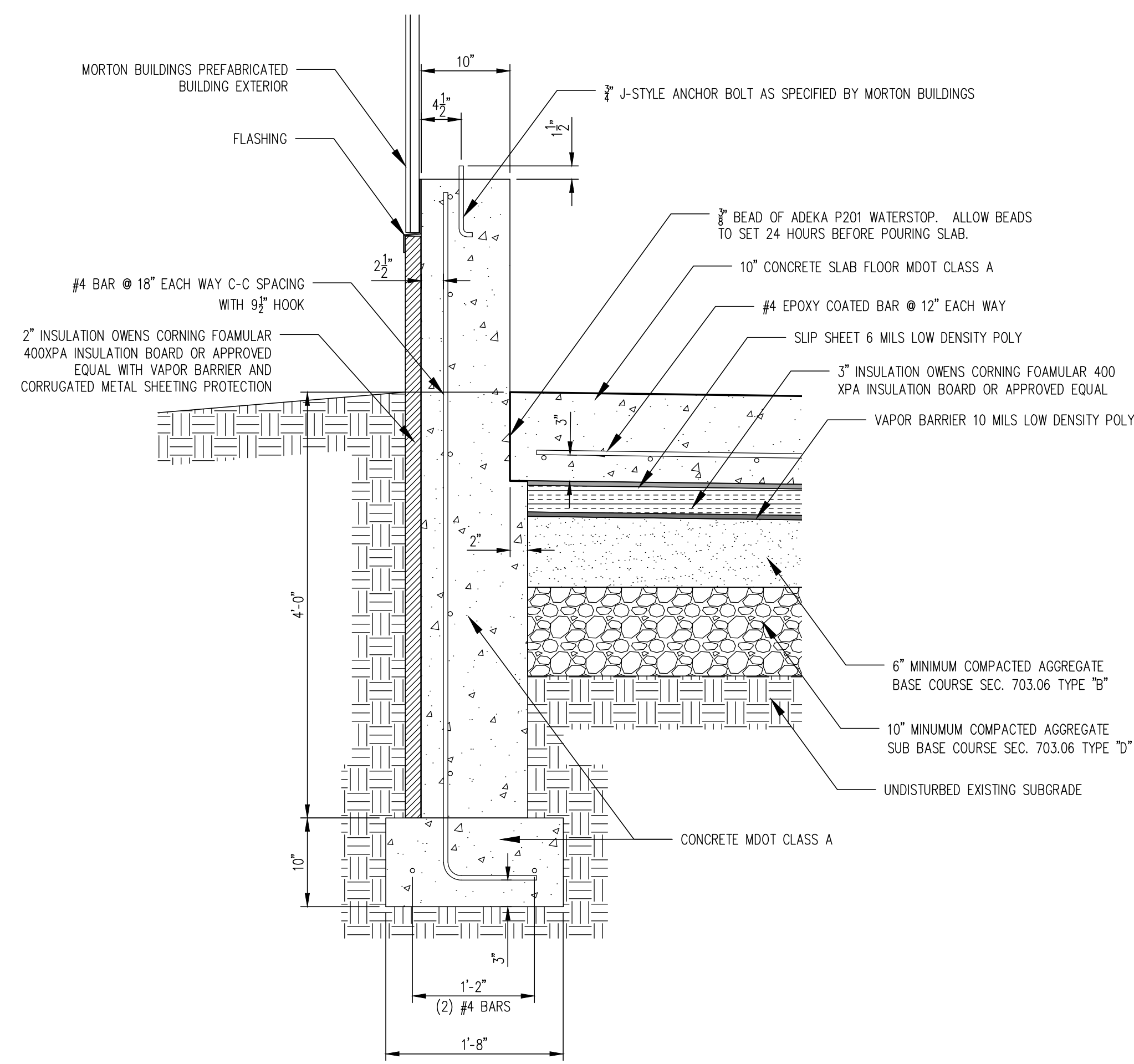
JOB NUMBER 12165-1	DRAWN BY BEA	DESIGNED BY BEA	DRAWING NO. 1 OF 2
-----------------------	-----------------	--------------------	-----------------------

TEC ASSOCIATES CONSULTING ENGINEERS
 46 SAWYER STREET SOUTH PORTLAND, MAINE 04106



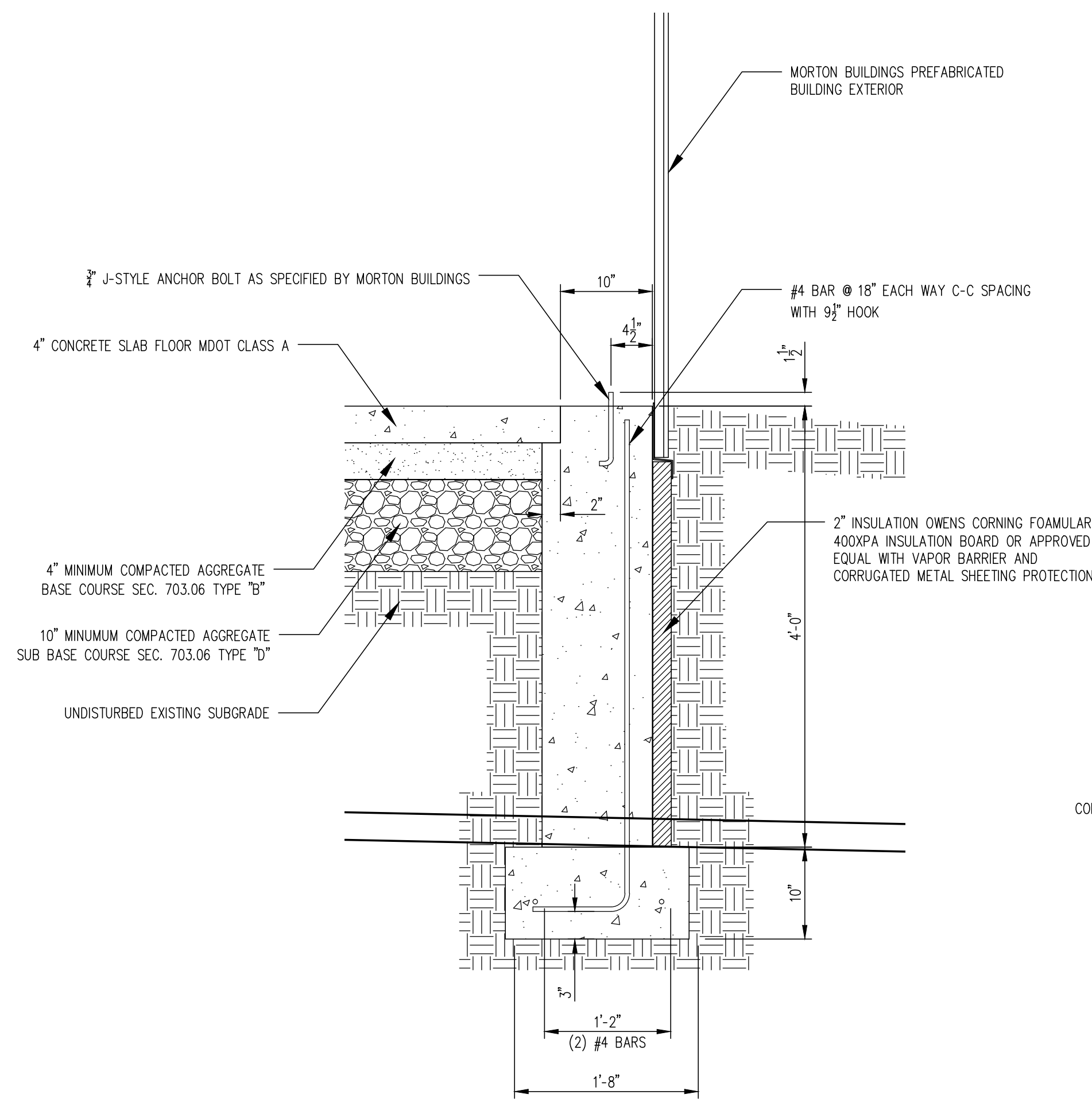
CONCRETE SLAB - SECTION A-A

1/2" = 1'-0"



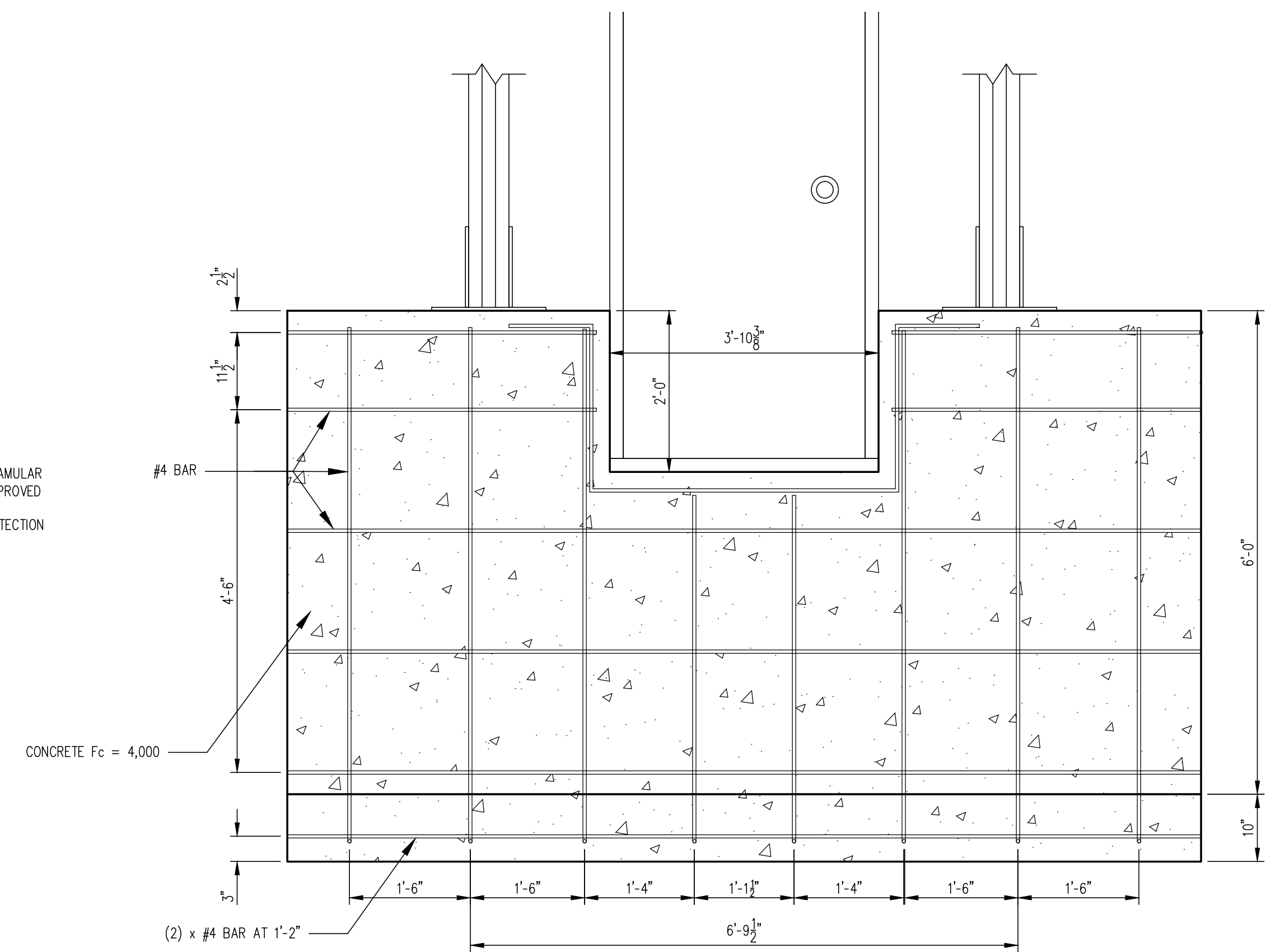
DETAIL "A"

1" = 1'-0"



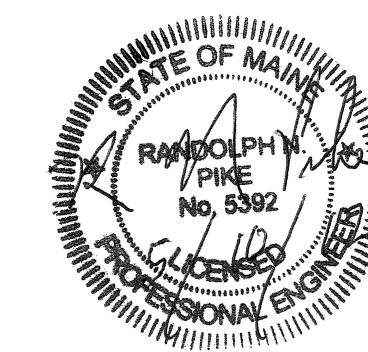
DETAIL "B"

1" = 1'-0"



FOUNDATION DETAIL - DOORWAY

1/2" = 1'-0"



PROPRIETORS OF UNION WHARF
PORTLAND, MAINE

MORTON PREFABRICATED BUILDING -
CONCRETE FOUNDATION AND SLAB

TEC ASSOCIATES CONSULTING ENGINEERS
46 SAWYER STREET SOUTH PORTLAND, MAINE 04106

REVISION		
C	INCREASED REQUIRED INSULATION	5/10/2012
B	ADDED #4 BAR IN SLAB	4/25/2012
A	REMOVED KNEEWALL AT OFFICE	4/2/2012

SCALE	NOTED	DATE	8 MARCH 2012
JOB NUMBER 12165-1	DRAWN BY BEA	DESIGNED BY BEA	DRAWING NO. 2 OF 2