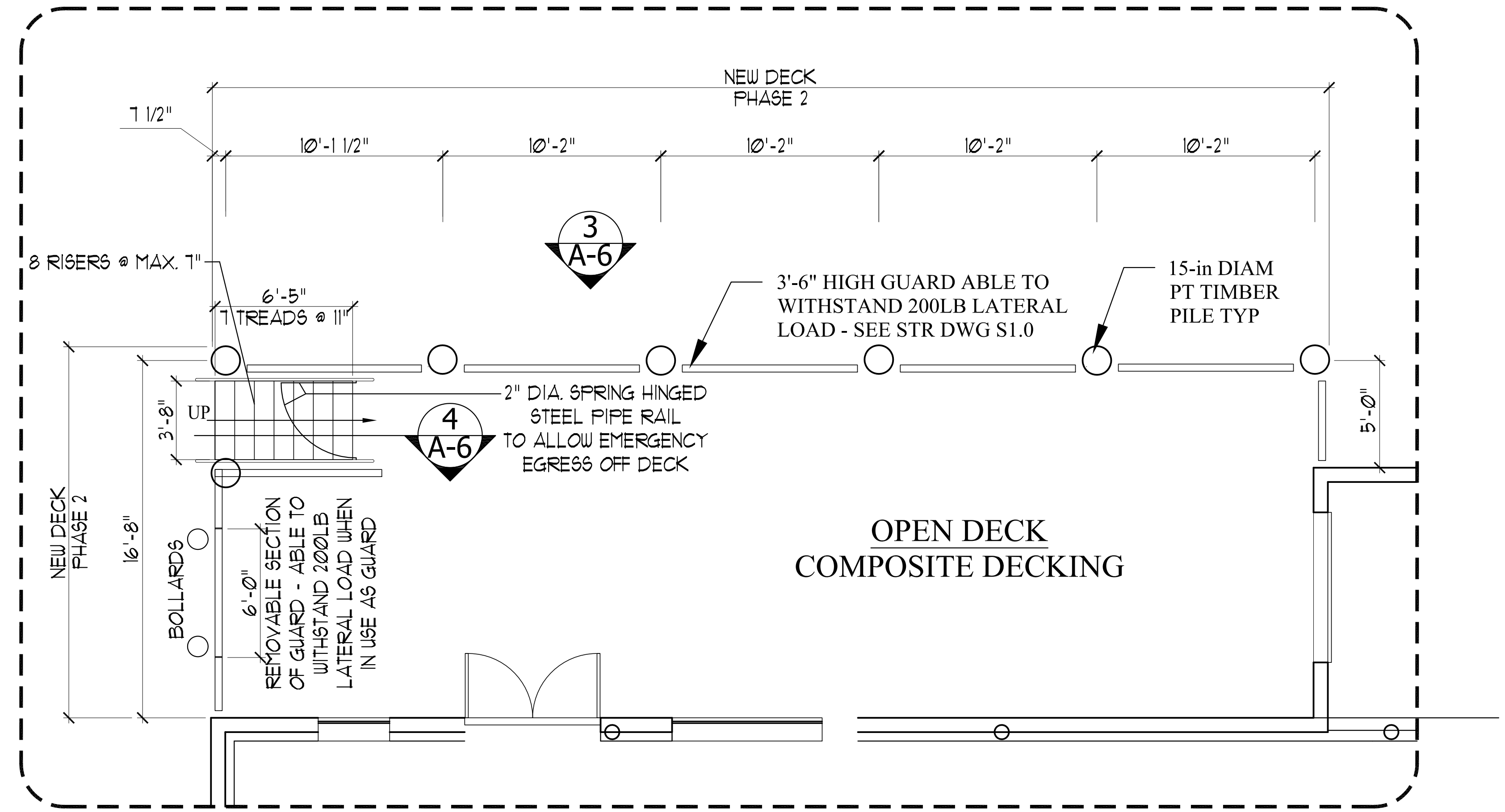
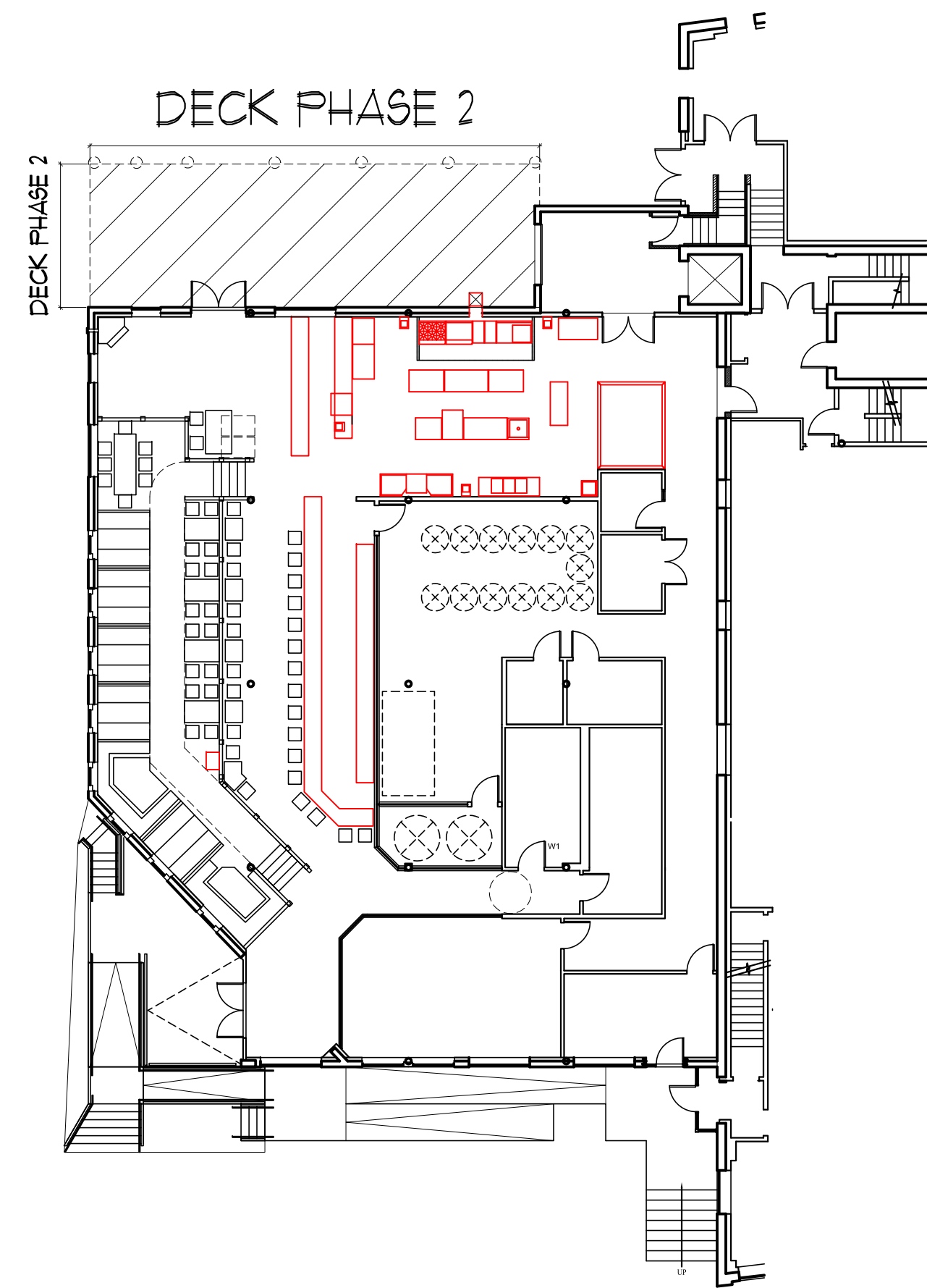
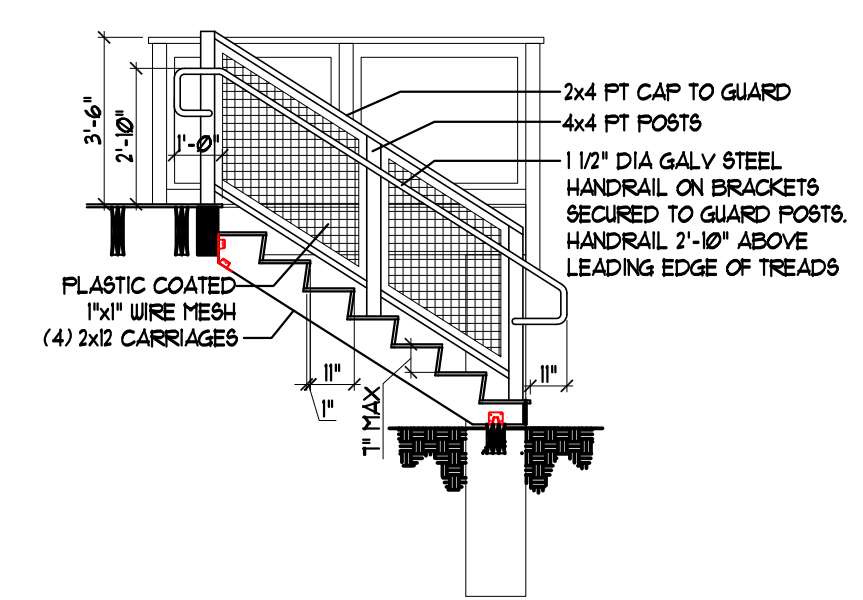


AREA OF WORK FOR PHASE II

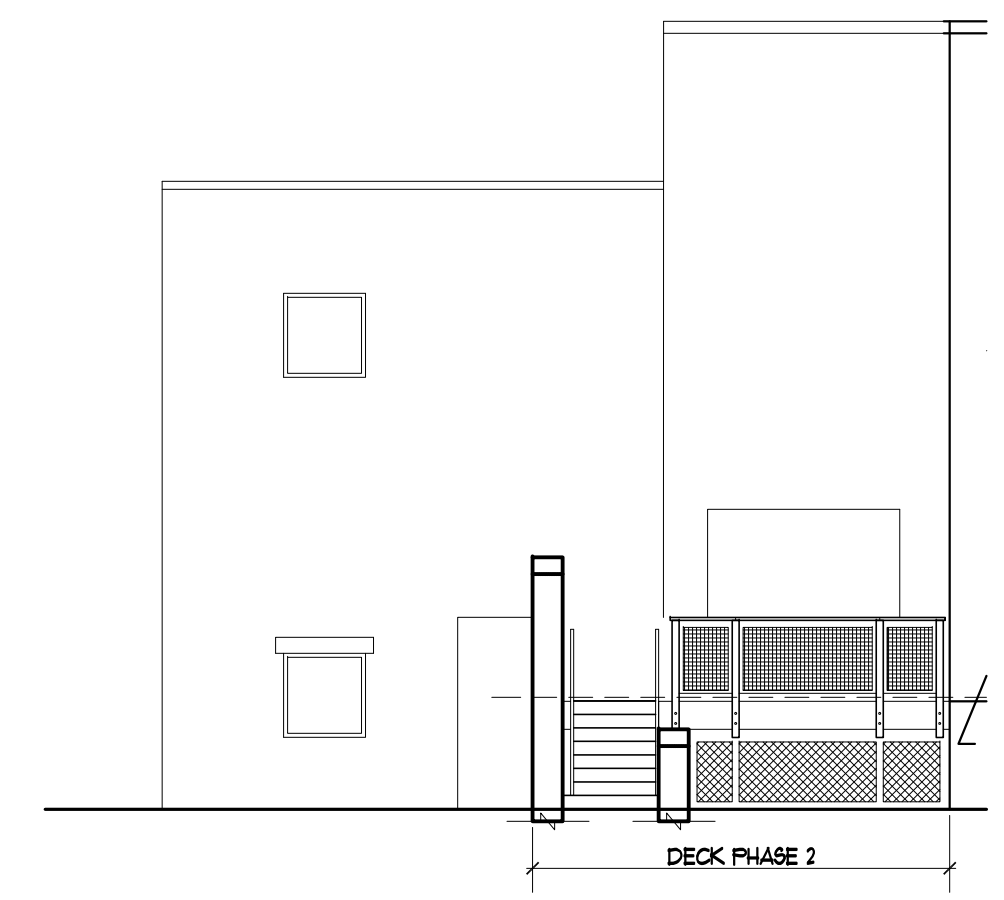


2
A-6

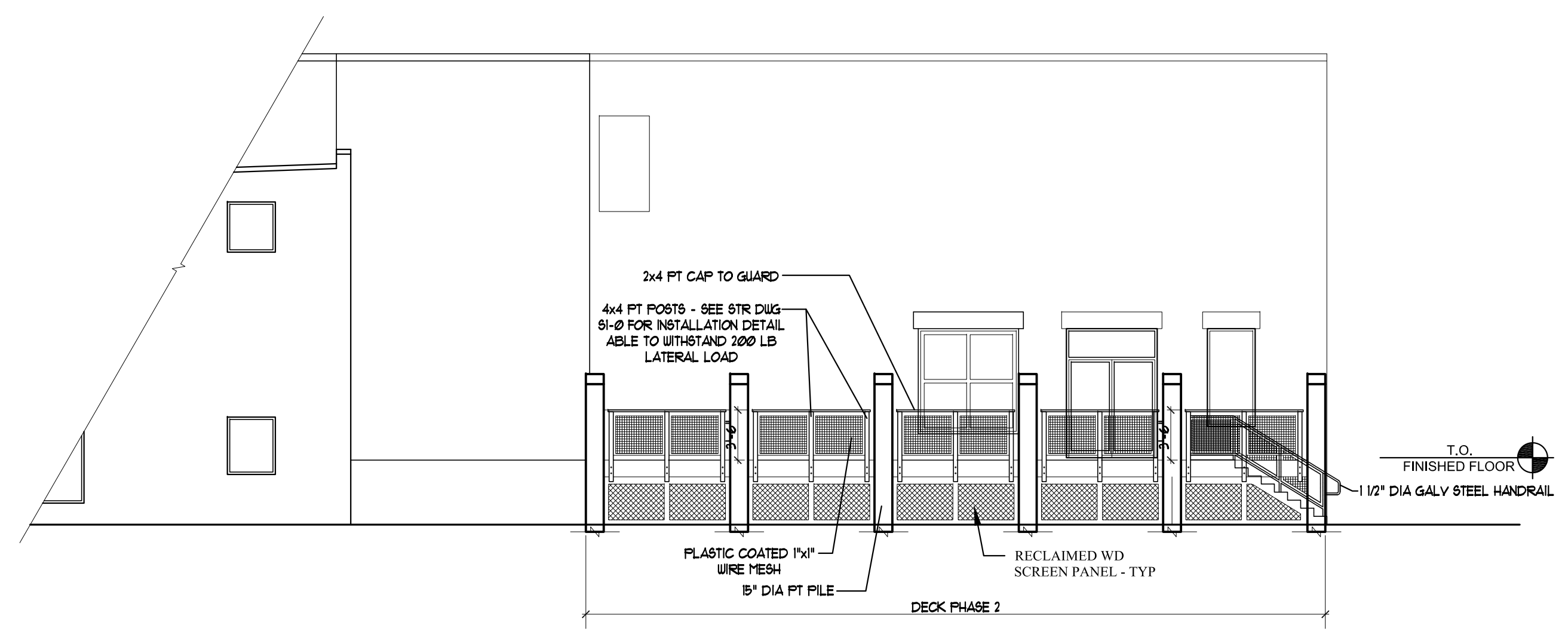
1 | EAST ELEVATION
SCALE: 1/8"=1'-0"



4 | STAIR SECTION
SCALE: 1/4"=1'-0"



2 | EAST ELEVATION
SCALE: 1/8"=1'-0"



3 | SOUTH ELEVATION
SCALE: 1/8"=1'-0"

Prepared For:

Consulting Engineer:

ARCHETYPE
 architects
 48 Union Wharf Portland, Maine 04101
 (207) 772-6022 Fax (207) 772-4056

Project:
250 COMMERCIAL STREET
 PORTLAND, MAINE 04101

Revisions:

Date: 26 November 2012
 Scale: AS NOTED
PHASE 2 - DECK PLAN, ELEVATIONS AND SECTION

A-6