

**DECK FRAMING PLAN**

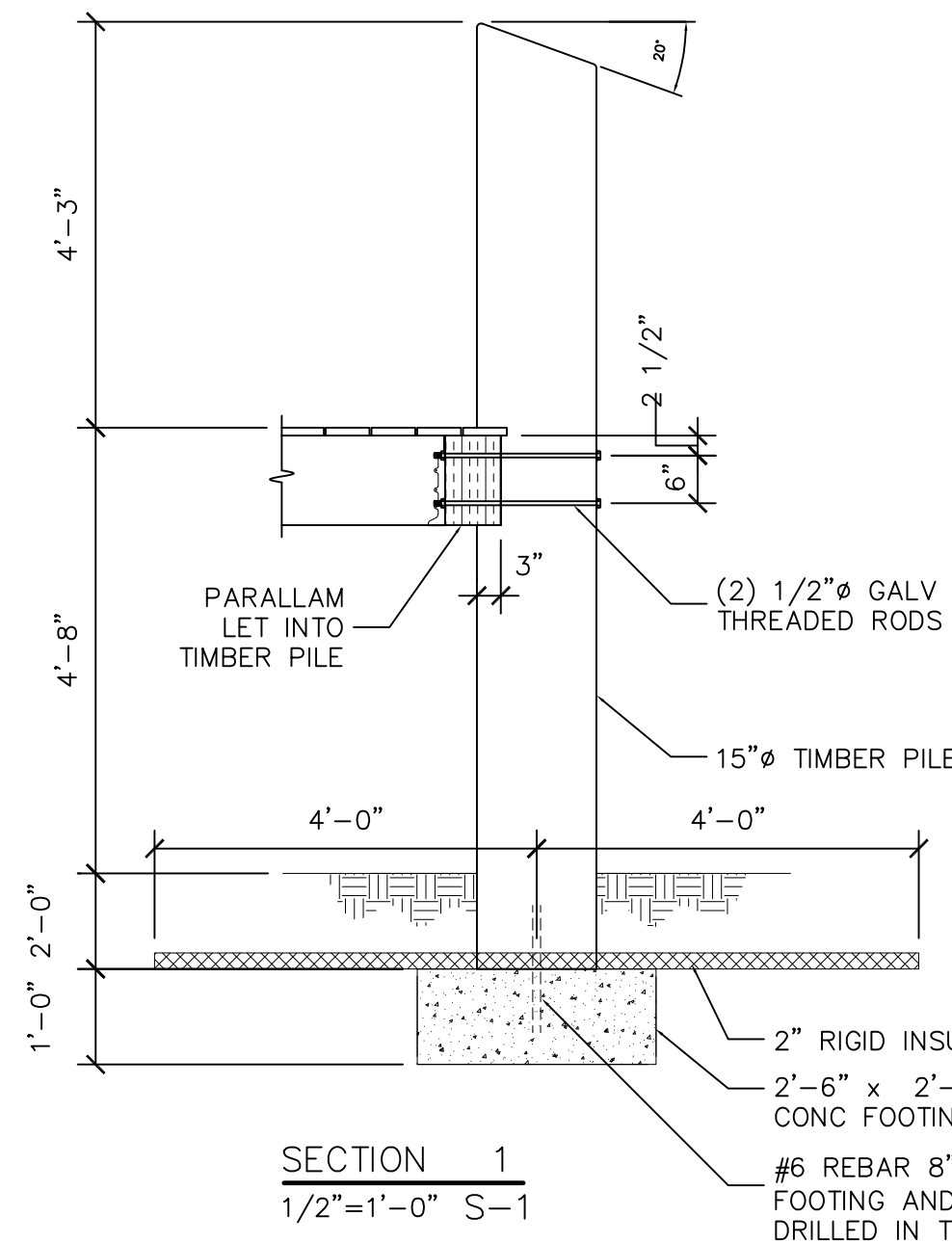
1/4"=1'-0"

ALL DECK FRAMING MEMBERS ARE PRESSURE TREATED.  
 ALL JOISTS ARE SO. YELLOW PINE NO. 2 OR BETTER.  
 ALL BEAMS ARE 2.0E PARALLAM PSL.

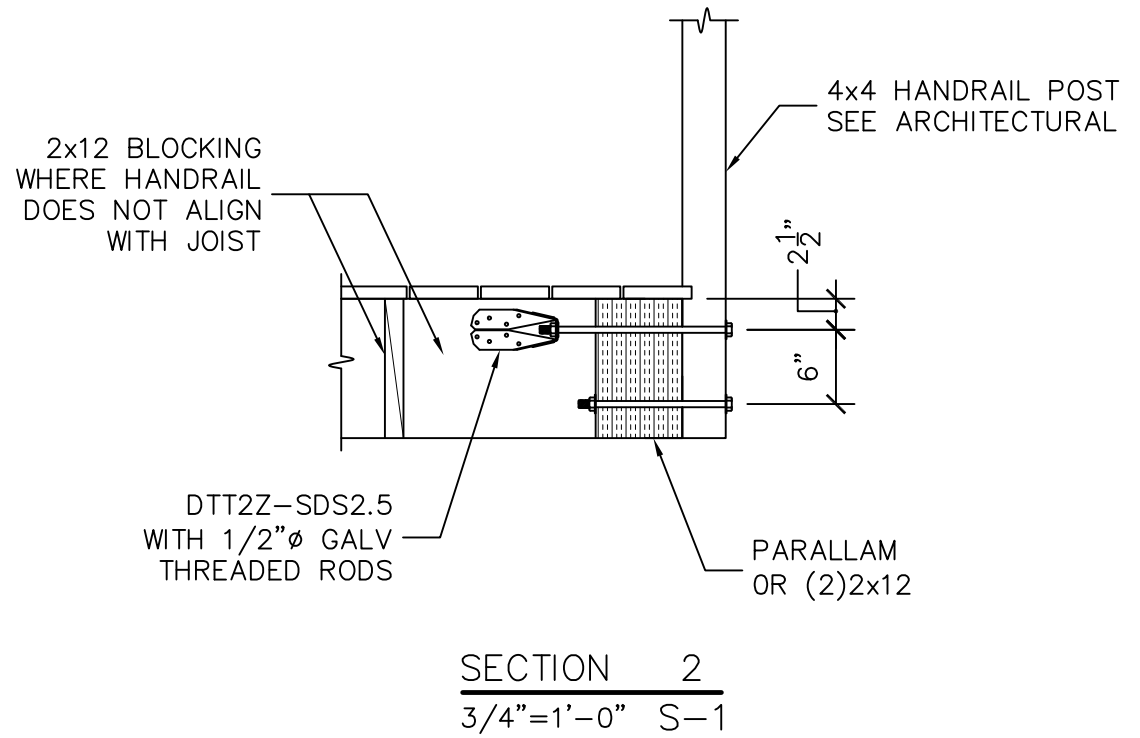
ALL HARDWARE IS SIMPSON Z-MAX COATED, GALVANIZED OR STAINLESS STEEL.

FRAMING HARDWARE SCHEDULE	
LOCATION	CONNECTOR
2x12 TO BEAM OR LEDGER	LU210
(2)2x12 TO BEAM OR LEDGER	U210-2
(3)2x12 TO BEAM	LUS28
5 1/4" x 11 7/8" PSL TO BEAM	HB5.50/11.88
STRINGER HANGER	LSCZ
STRINGER BASE	HGA10
HANDRAIL POST TIE	(2) DTT2Z-SDS2.5 WITH 1/2" THRD. ROD

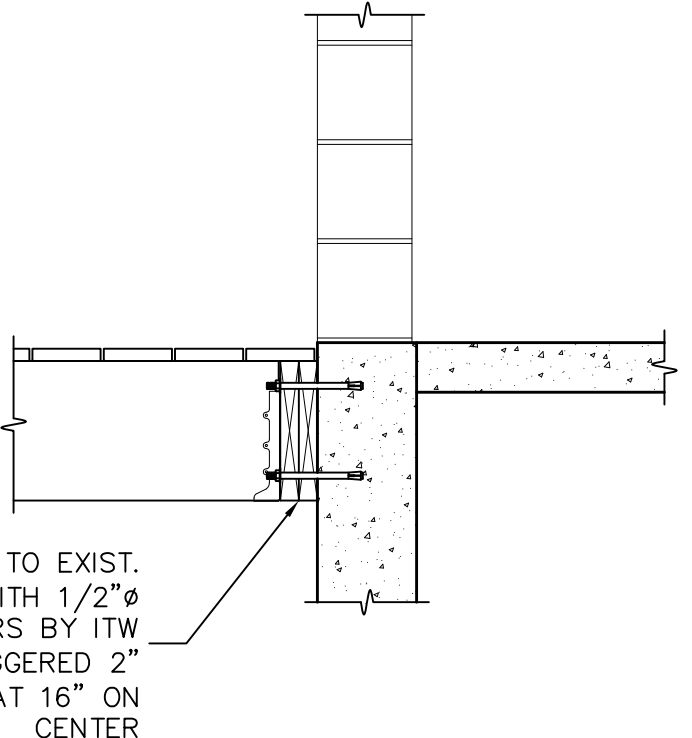
ALL HARDWARE MANUFACTURED BY SIMPSON STRONGTIE OR APPROVED ALTERNATE.  
 ALL HARDWARE TO HAVE SIMPSON Z-MAX COATING.



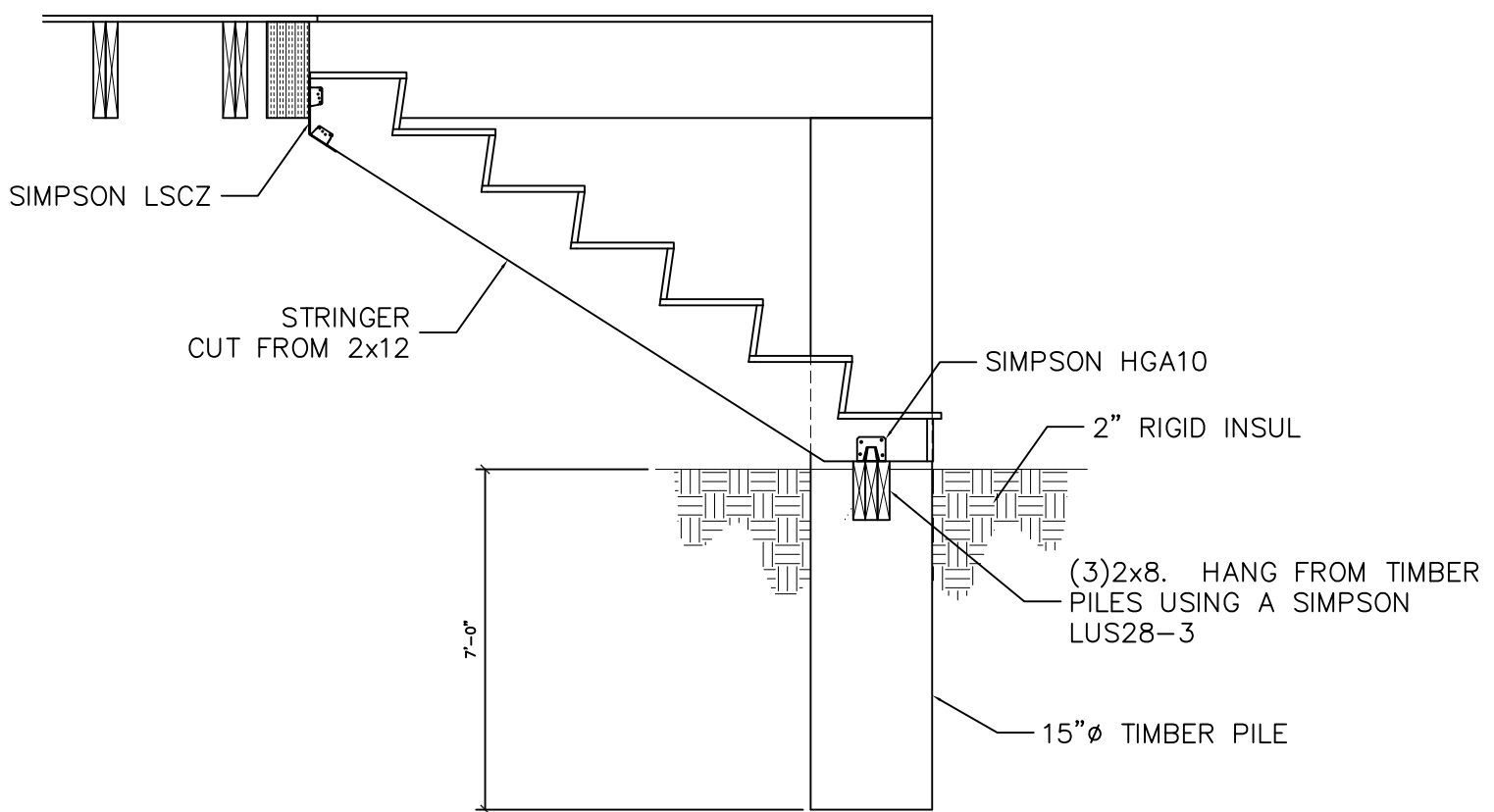
SECTION 1  
1/2"=1'-0" S-1



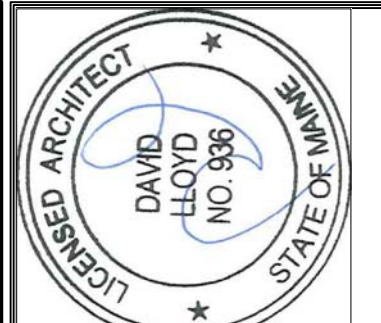
SECTION 2  
3/4"=1'-0" S-1



SECTION 3  
3/4"=1'-0" S-1



SECTION 4  
1/2"=1'-0" S-1



Prepared For:

Consulting Engineer:

Architect:

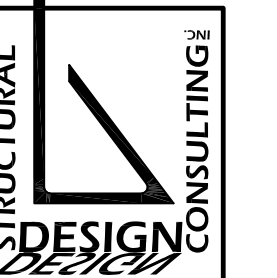
Project:

Revisions:

Date: 26 November 2012

Scale: As Noted

22 Columbia Drive  
Old Orchard Beach, ME 04064-1121  
Tel: 207.934.8038  
Fax: 207.934.8039



**ARCHETYPE** architects  
 48 Union Wharf Portland, Maine 04101  
 (207) 772-6022 Fax (207) 772-4056

250 COMMERCIAL STREET  
 PORTLAND, ME 04101

**DECK FRAMING AND DETAILS**

**S1-0**