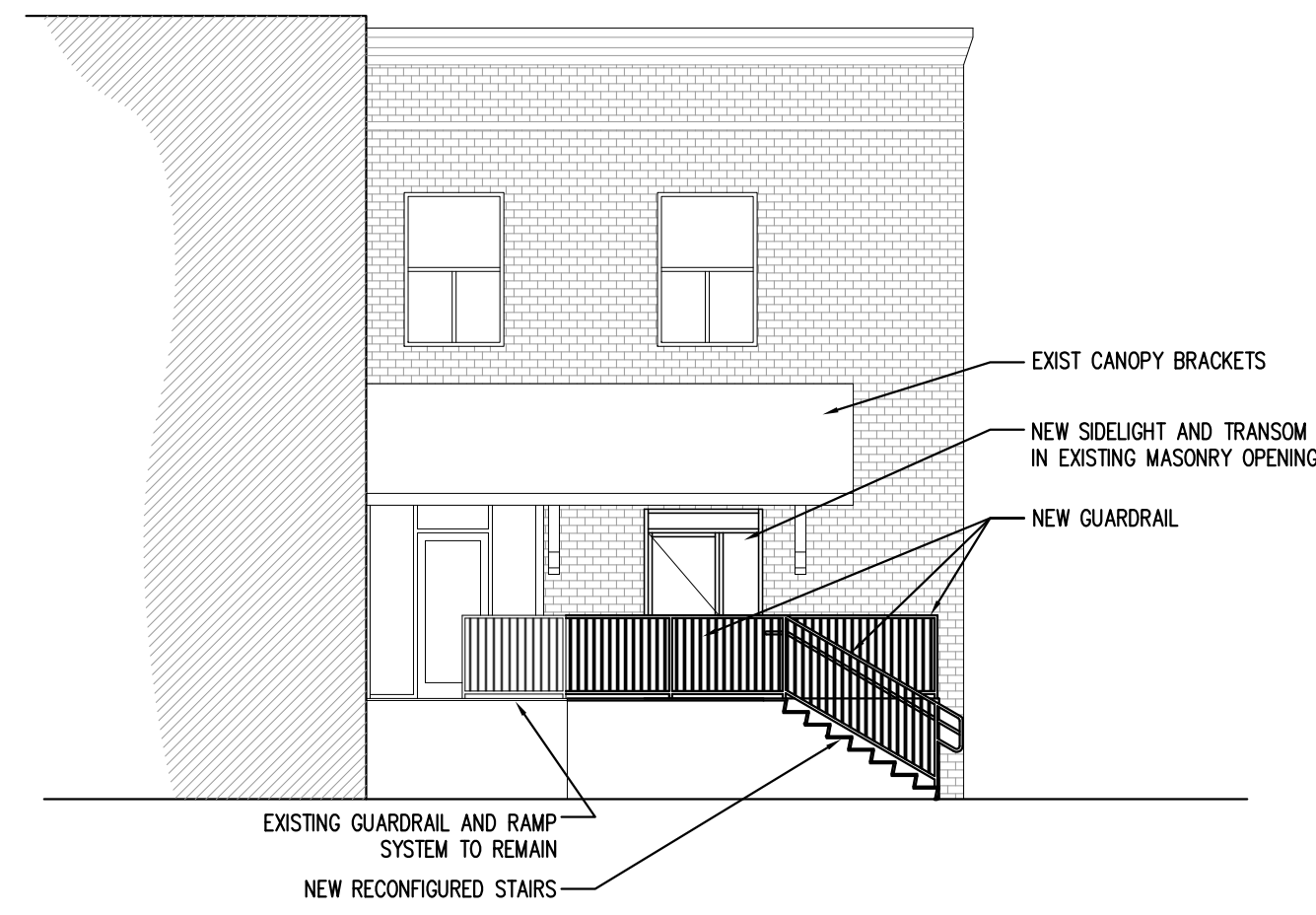
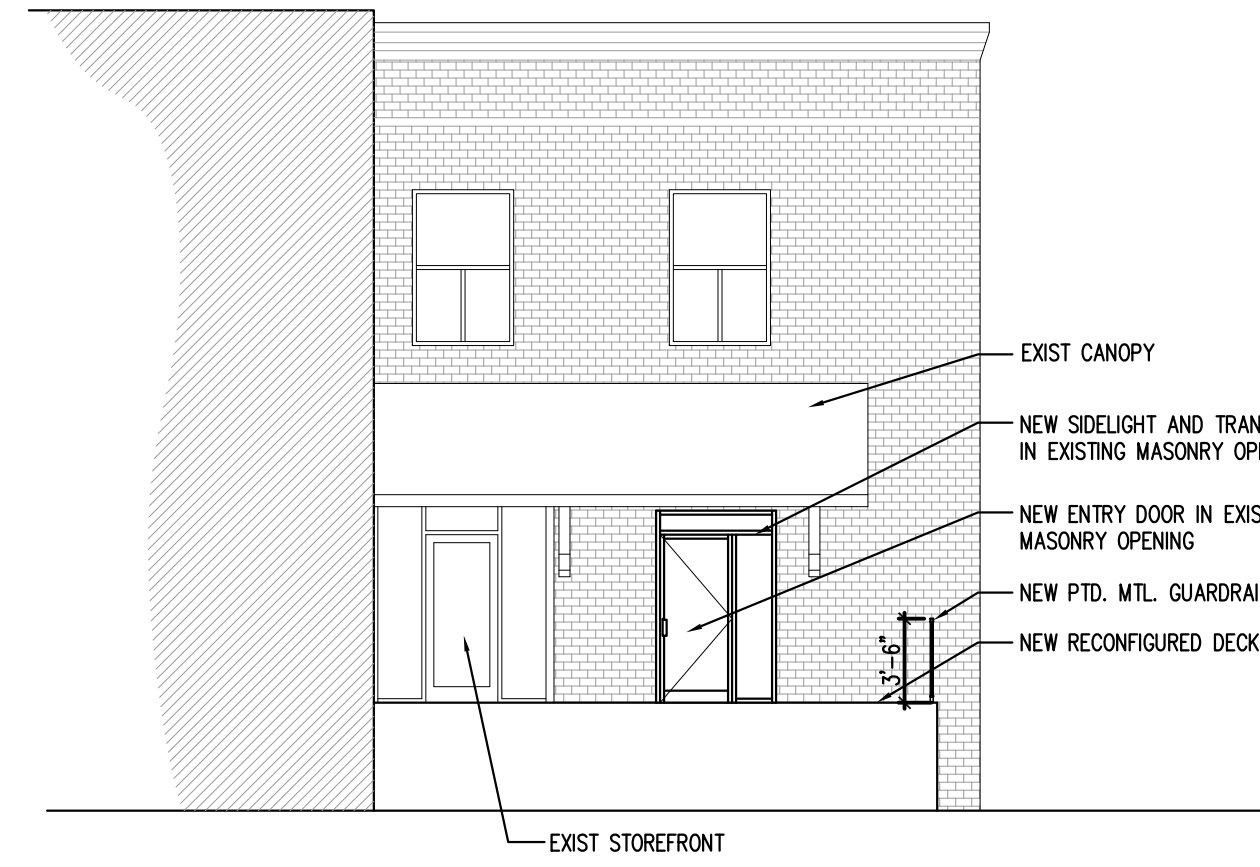


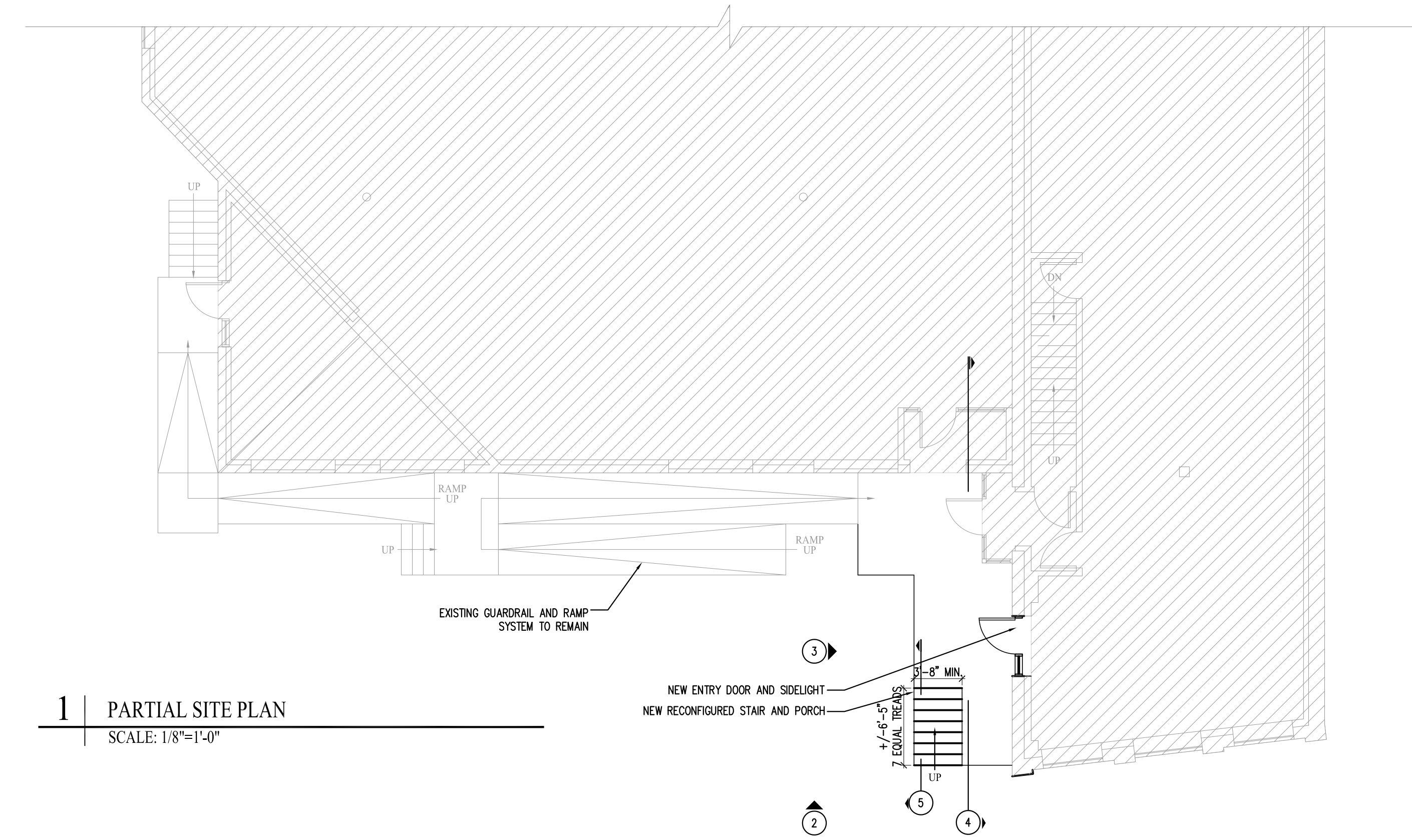
2 FRONT ELEVATION
SCALE: 1/8"=1'-0"



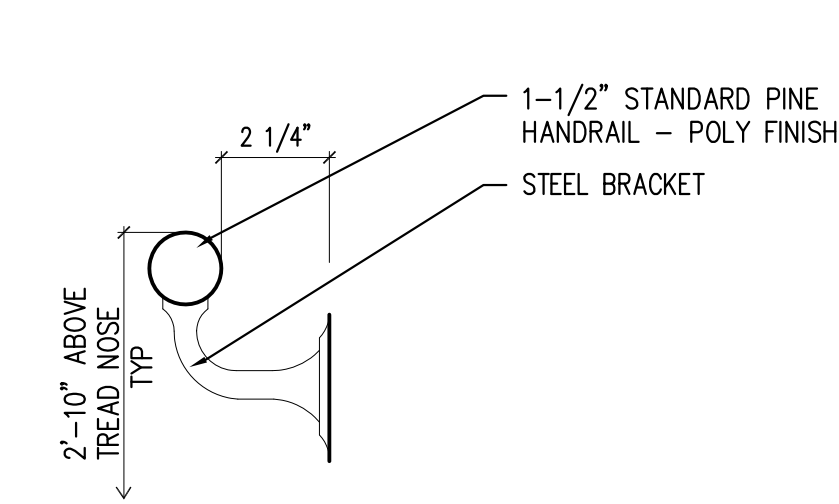
3 SIDE ELEVATION
SCALE: 1/8"=1'-0"



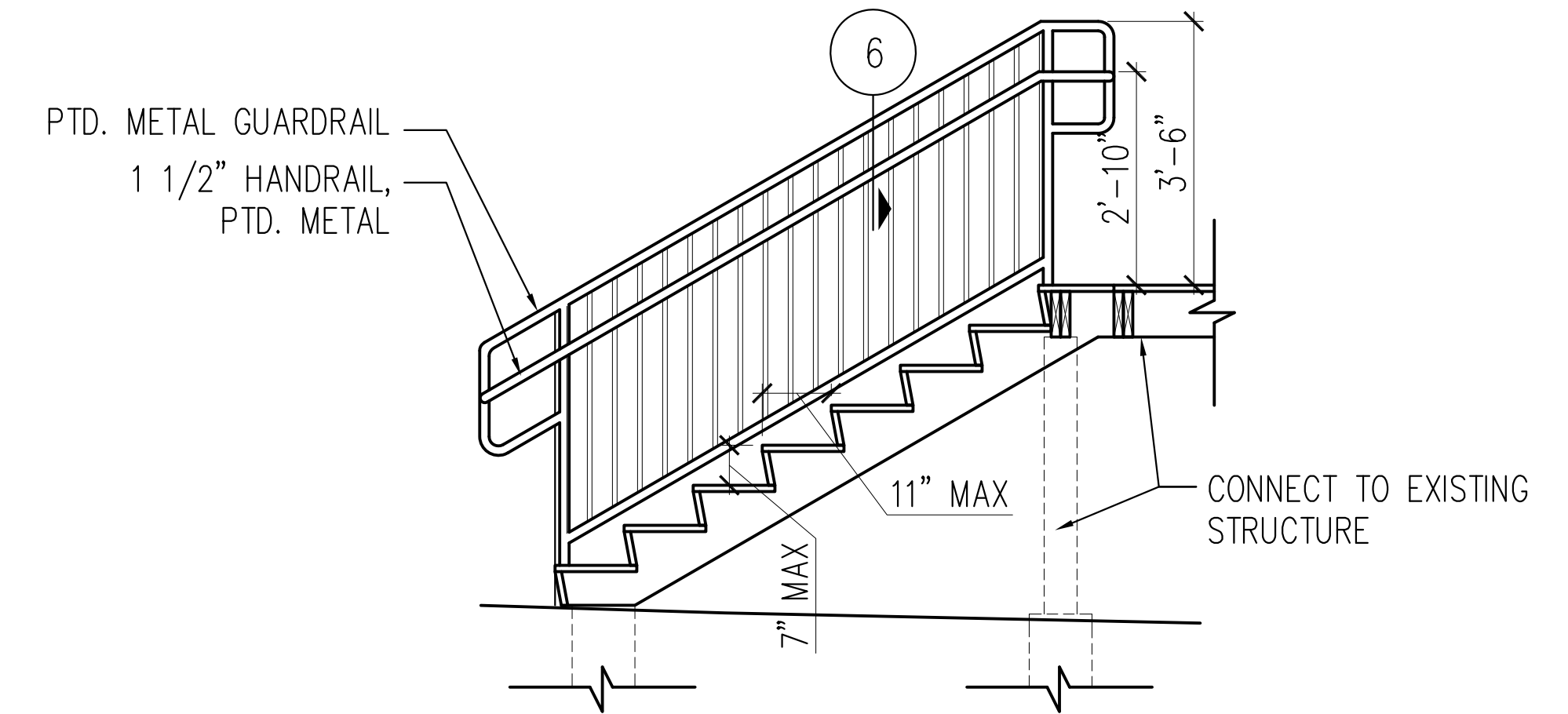
4 SECTION THROUGH PORCH
SCALE: 1/8"=1'-0"



1 PARTIAL SITE PLAN
SCALE: 1/8"=1'-0"



6 HANDRAIL DETAIL
SCALE: 1/8"=1'-0"



5 STAIR SECTION
SCALE: 1/8"=1'-0"

Prepared For:

Consulting Engineer:

ARCHETYPE
architects
48 Union Wharf Portland, Maine 04101
(207) 772-6022 Fax (207) 772-4056

Architect:

Project:
250 COMMERCIAL STREET
PORTLAND, MAINE

Revisions:

Date: DEC. 02 2016
Scale: AS NOTED

STAIR SECTIONS
AND DETAILS

A1.02