

Prepared For:

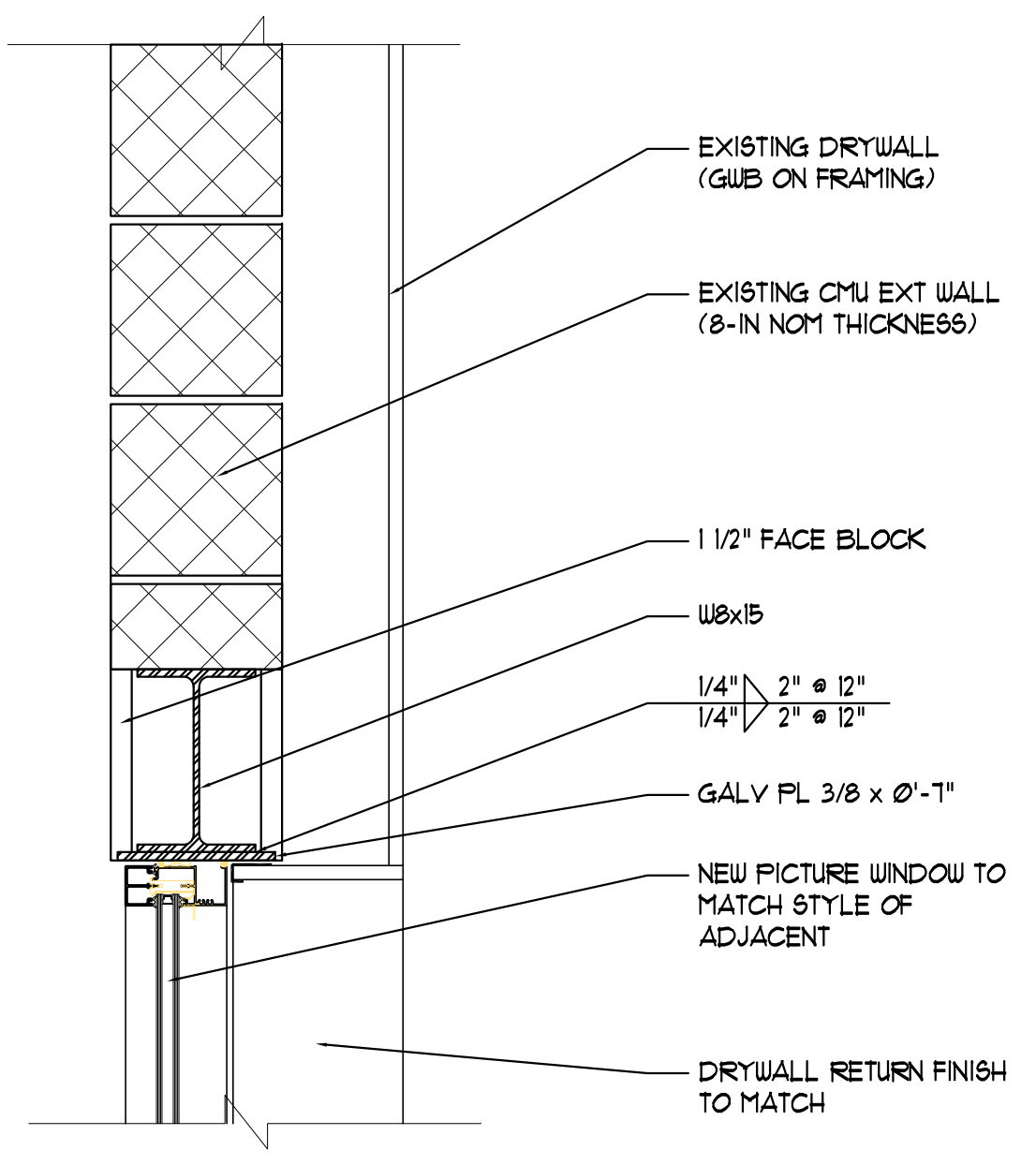
Archetype Architects  
 48 Union Wharf Portland, Maine 04101  
 (207) 772-6022 Fax (207) 772-4056

Project: 250 COMMERCIAL STREET  
 PORTLAND, MAINE

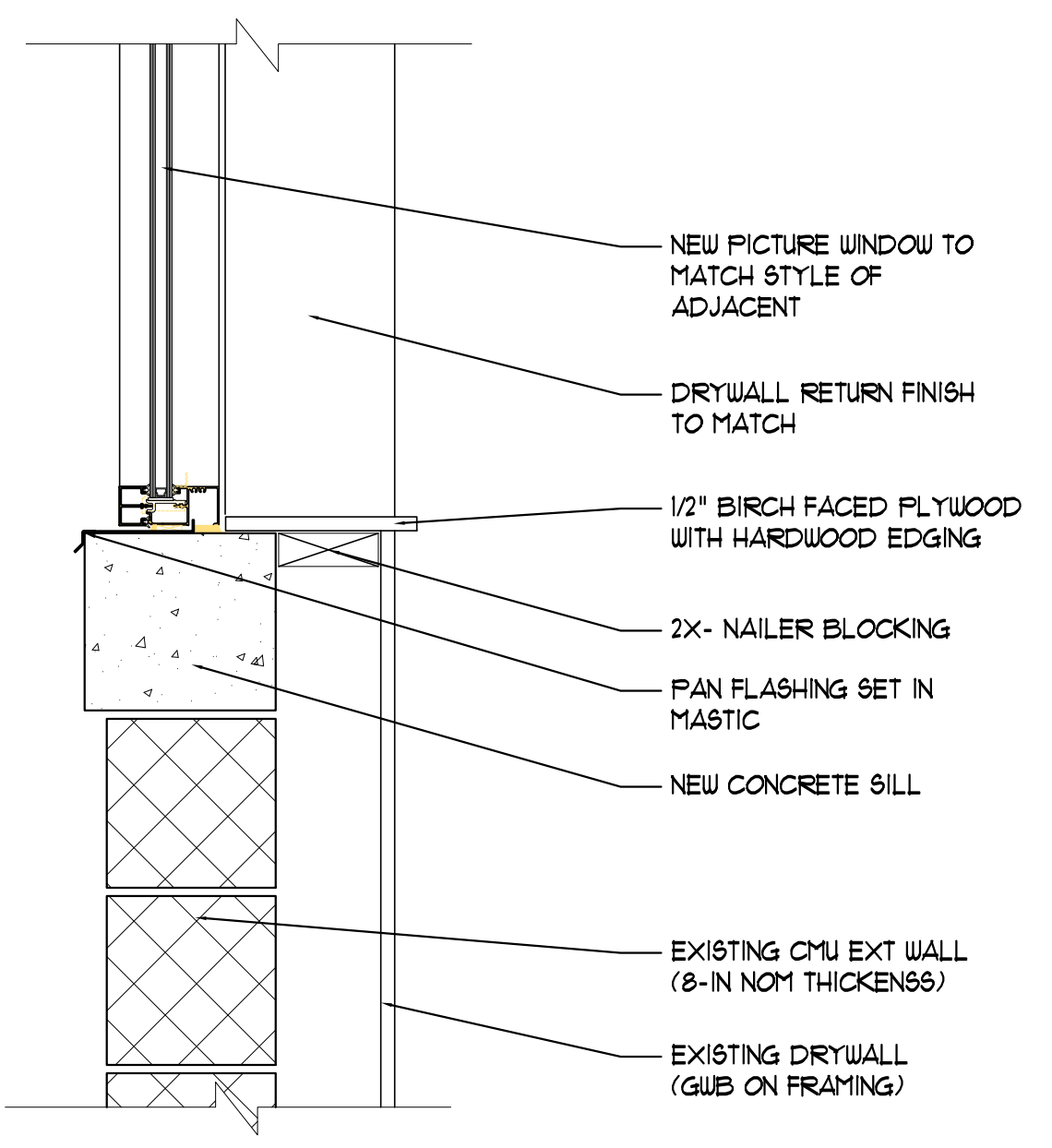
Revisions:

Date: 14 March 2013  
 Scale: AS NOTED  
 BUILDING SECTIONS,  
 ELEVATIONS &  
 SCHEDULES

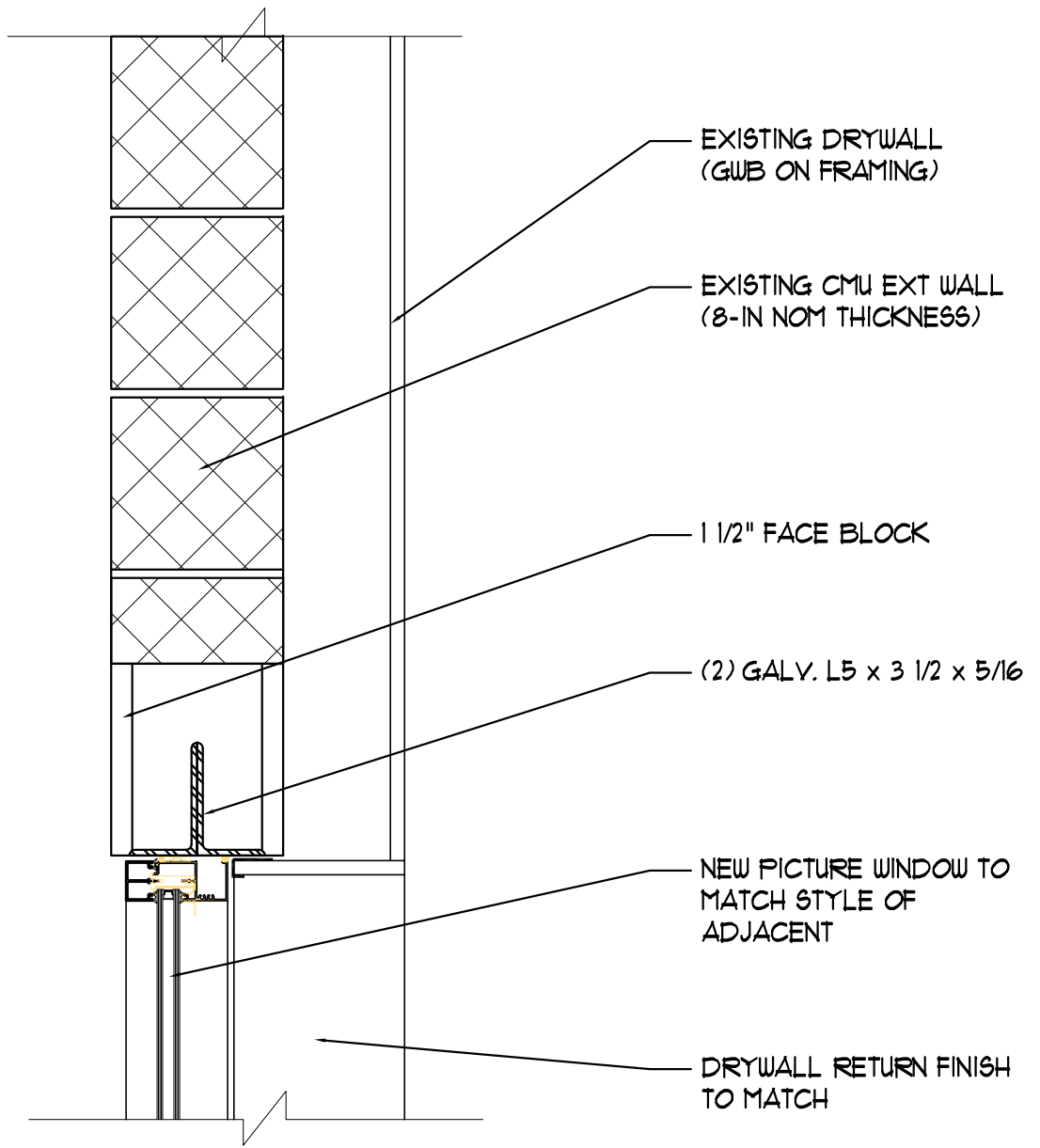
A2.00



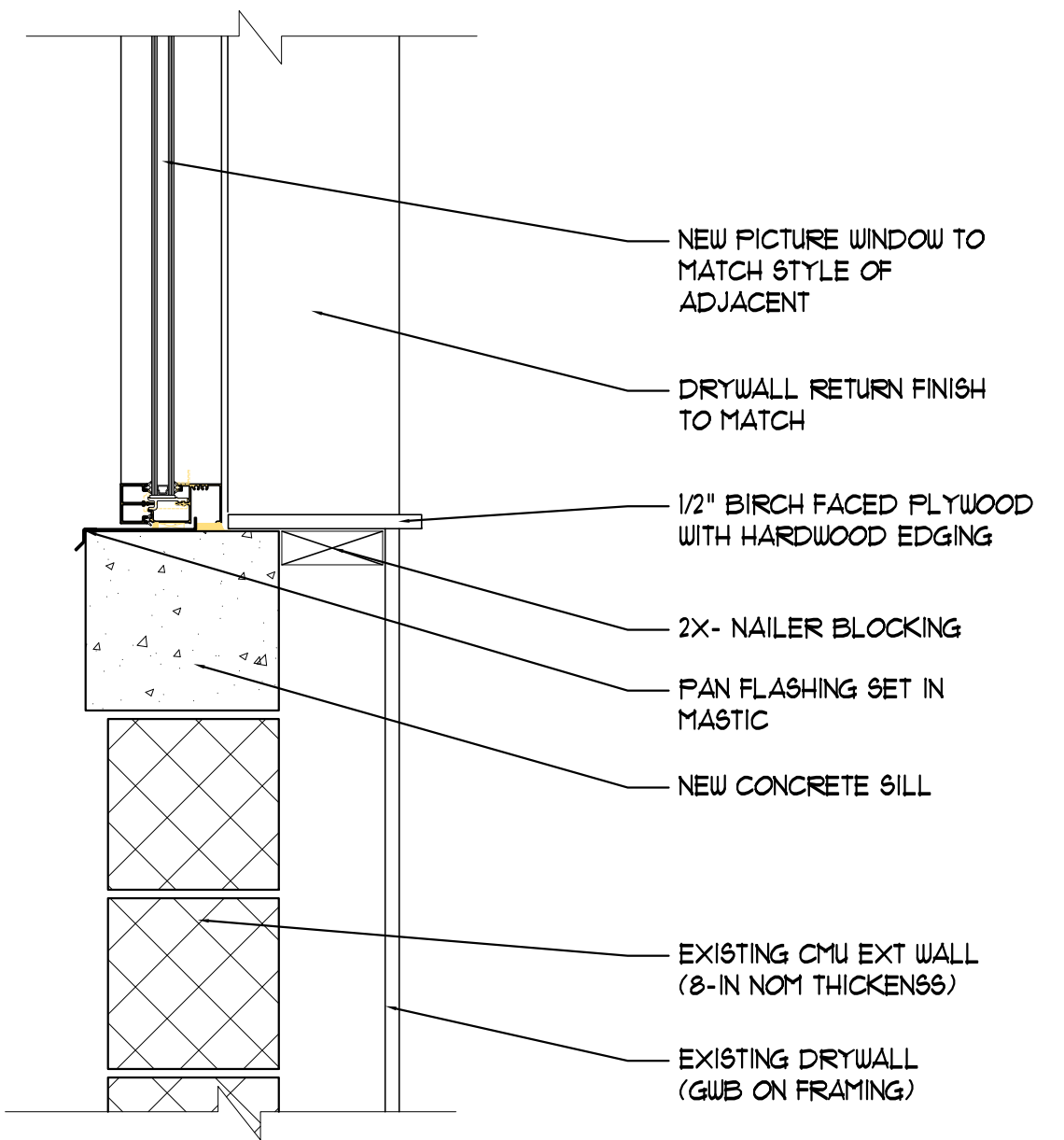
9 | SECT DETAIL AT WINDOW HEAD  
 SCALE: 1 1/2"=1'-0"



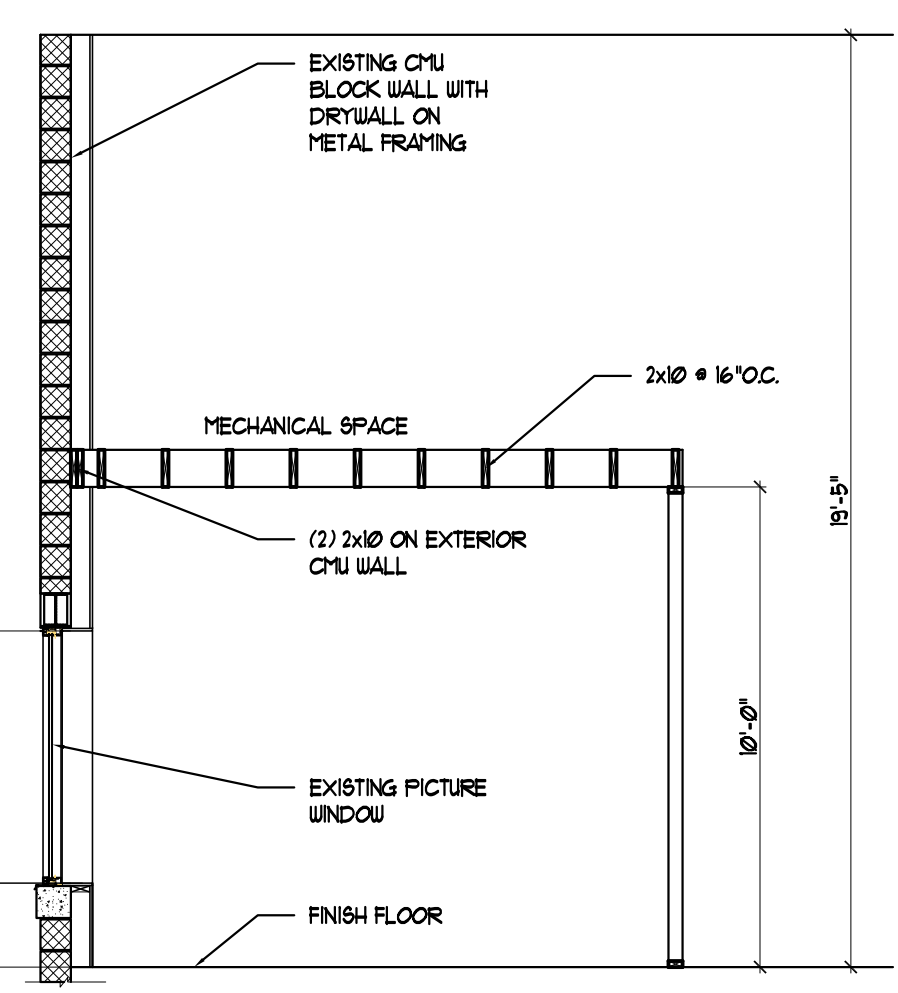
10 | SECT DETAIL AT WINDOW SILL  
 SCALE: 1 1/2"=1'-0"



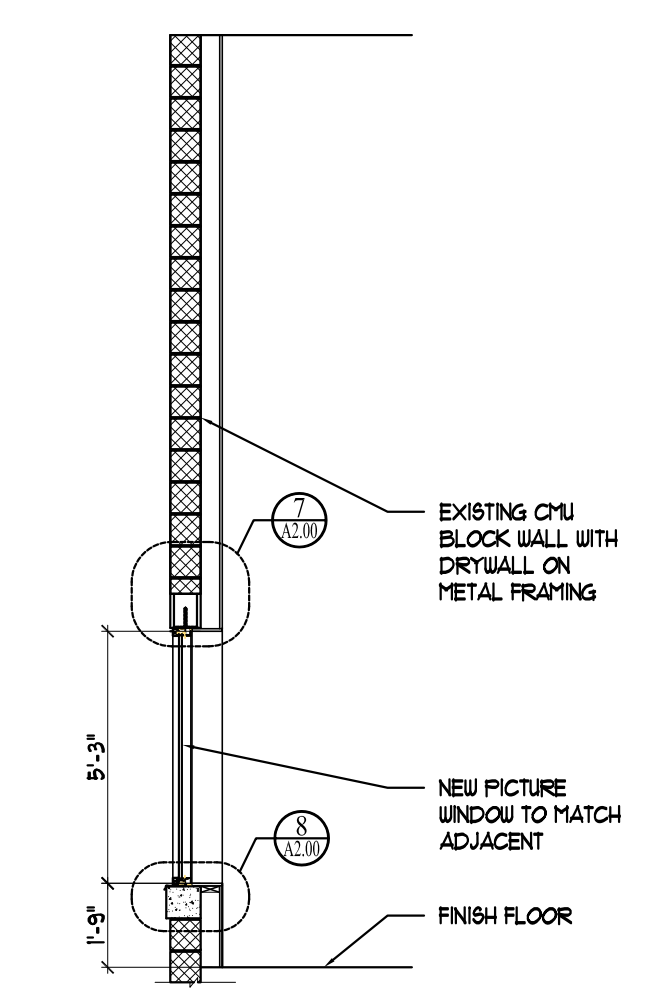
7 | SECT DETAIL AT WINDOW HEAD  
 SCALE: 1 1/2"=1'-0"



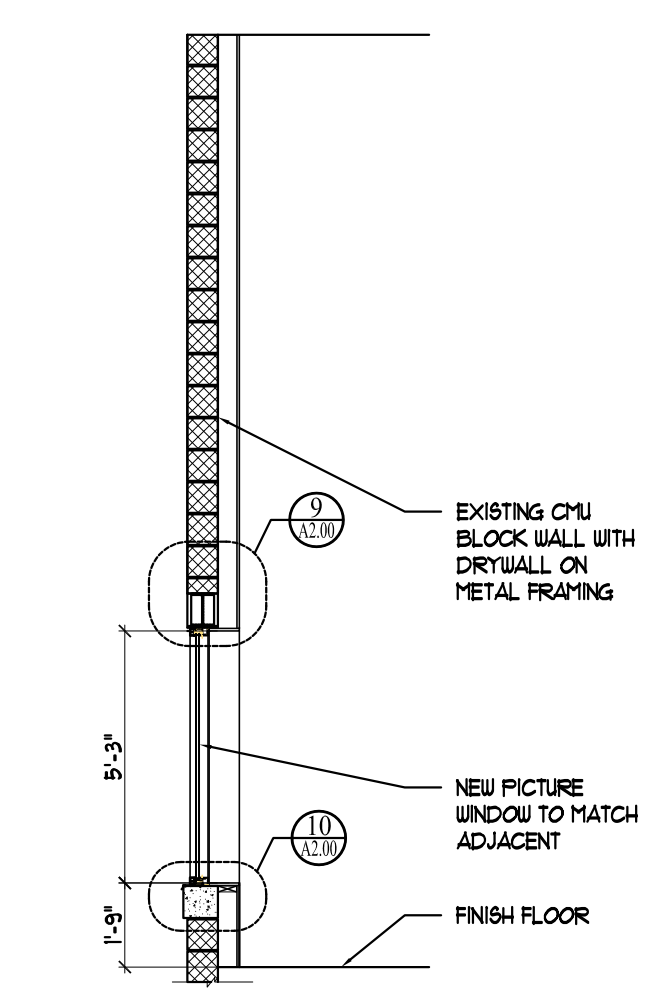
8 | SECT DETAIL AT WINDOW SILL  
 SCALE: 1 1/2"=1'-0"



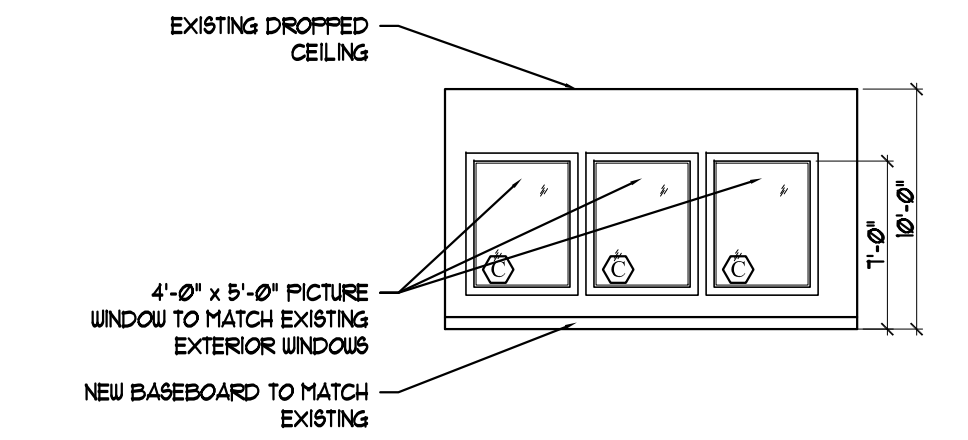
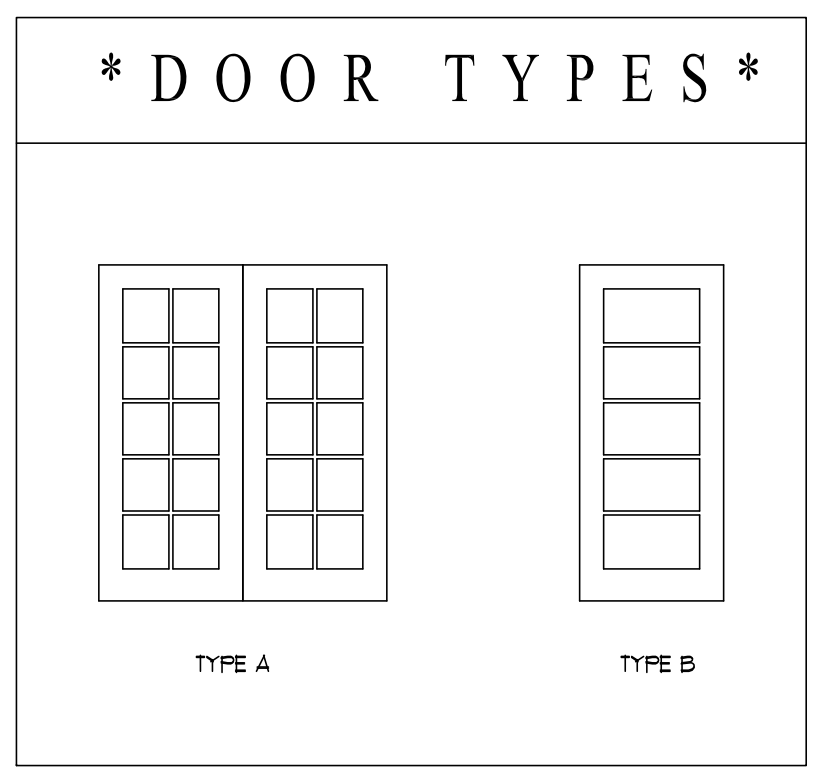
4 | CROSS SECTION  
 SCALE: 1/4"=1'-0"



5 | WALL SECTION  
 SCALE: 1/4"=1'-0"



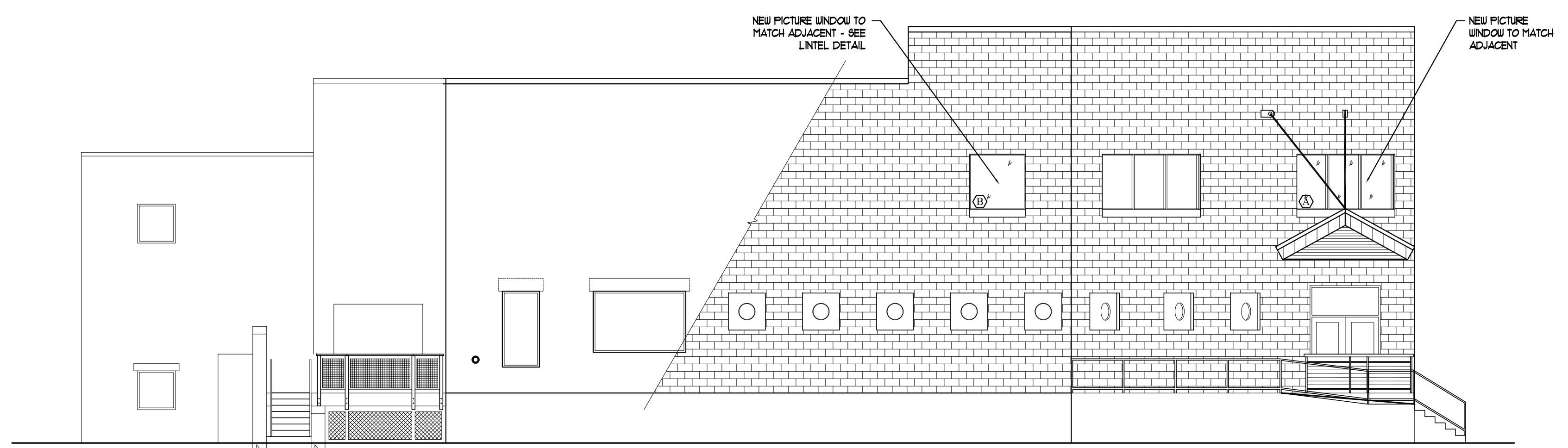
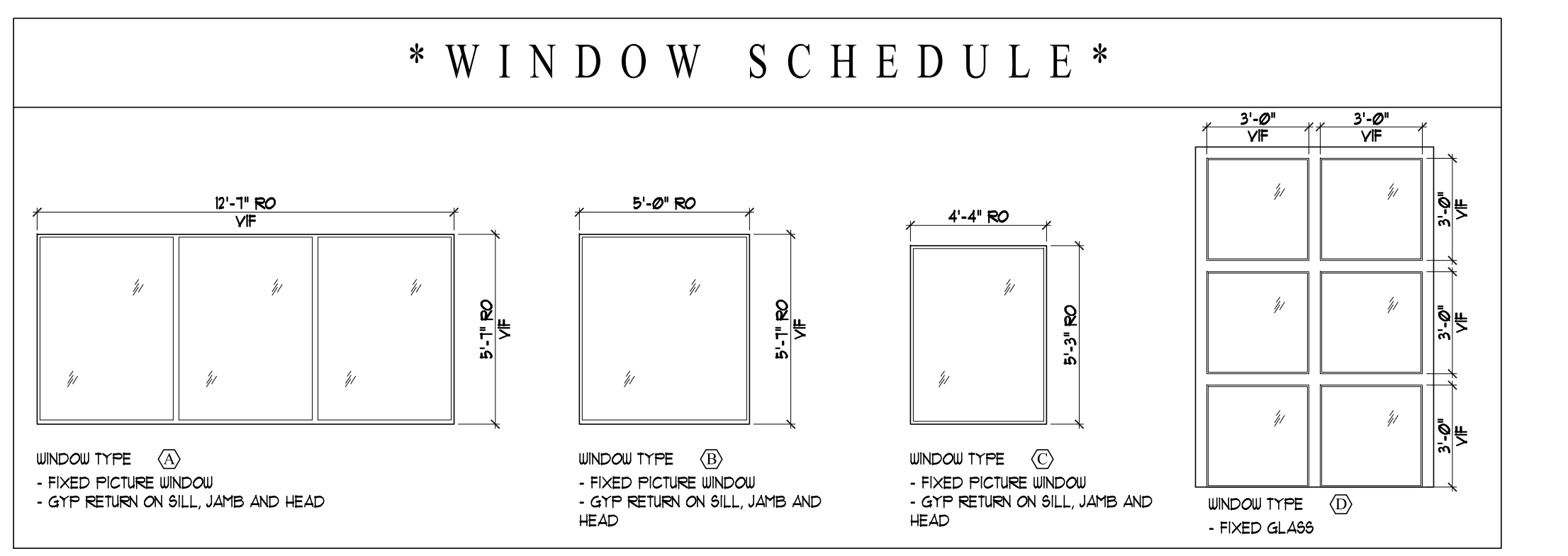
6 | WALL SECTION  
 SCALE: 1/4"=1'-0"



3 | INTERIOR ELEVATION  
 SCALE: 1/8"=1'-0"

**\* DOOR SCHEDULE \***

No.	SIZE W x H x T	DOOR		FINISH	THRESH	FRAME		REMARKS
		Type	Material			Material	Finish	
01	6'-0" x 7'-0" x 1 3/4"	A	SCW	PTD		H1	Ptd.	
02	6'-0" x 7'-0" x 1 3/4"	A	SCW	PTD		H1	Ptd.	
03	3'-0" x 7'-0" x 1 3/4"	B	SCW	PTD		H1	Ptd.	



2 | EAST ELEVATION  
 SCALE: 1/8"=1'-0"



1 | NORTH ELEVATION  
 SCALE: 1/8"=1'-0"