

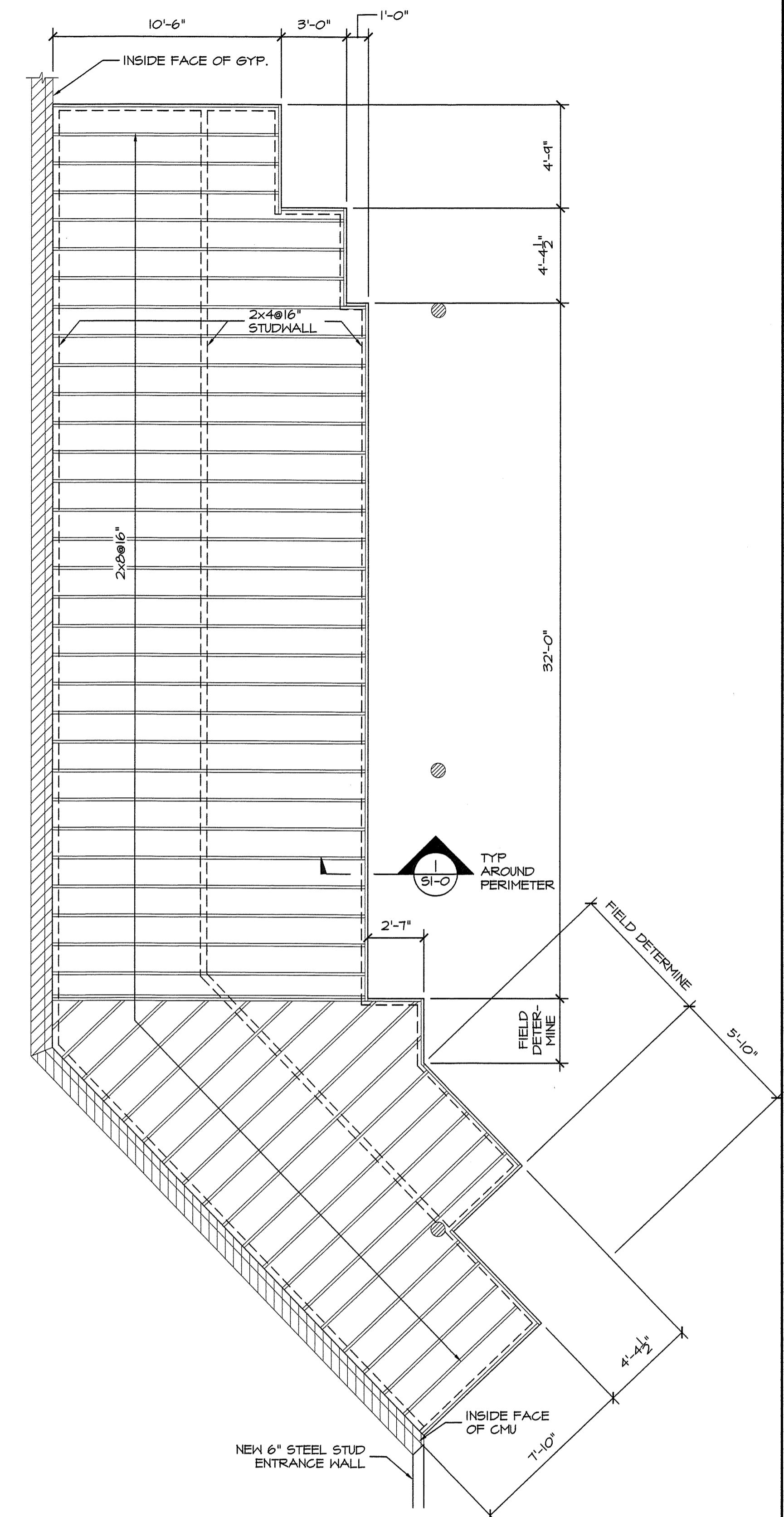
DECK FRAMING PLAN
1/4"=1'-0"

ALL DECK FRAMING MEMBERS ARE PRESSURE TREATED.
ALL JOISTS ARE SQ. YELLOW PINE NO. 2 OR BETTER.
ALL BEAMS ARE 2.0E PARALLAM PSL.

ALL HARDWARE IS SIMPSON Z-MAX COATED, GALVANIZED OR STAINLESS STEEL.

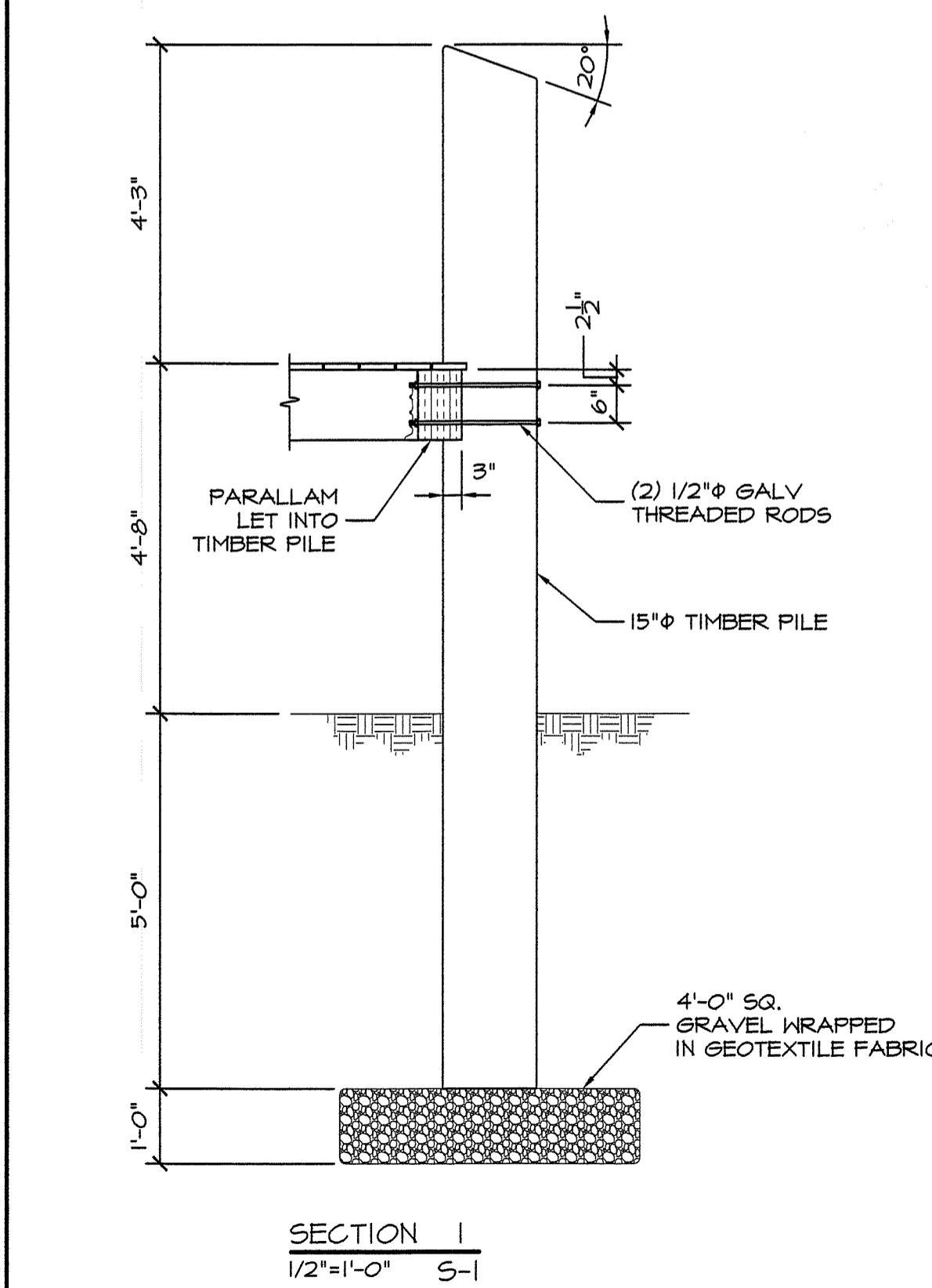
LOCATION	CONNECTOR
2x12 TO BEAM OR LEDGER	LU210
(2)2x12 TO BEAM OR LEDGER	U210-2
(3)2x12 TO BEAM	LU52B
5 1/4"x11 7/8" PSL TO BEAM	HB550/11.8B
STRINGER HANGER	LSCZ
STRINGER BASE	HGA10
HANDRAIL POST TIE	(2) DTT2Z-SD525 WITH 1/2" Φ THRD. ROD

ALL HARDWARE MANUFACTURED BY SIMPSON STRONGTIE OR APPROVED ALTERNATE.
ALL HARDWARE TO HAVE SIMPSON Z-MAX COATING.

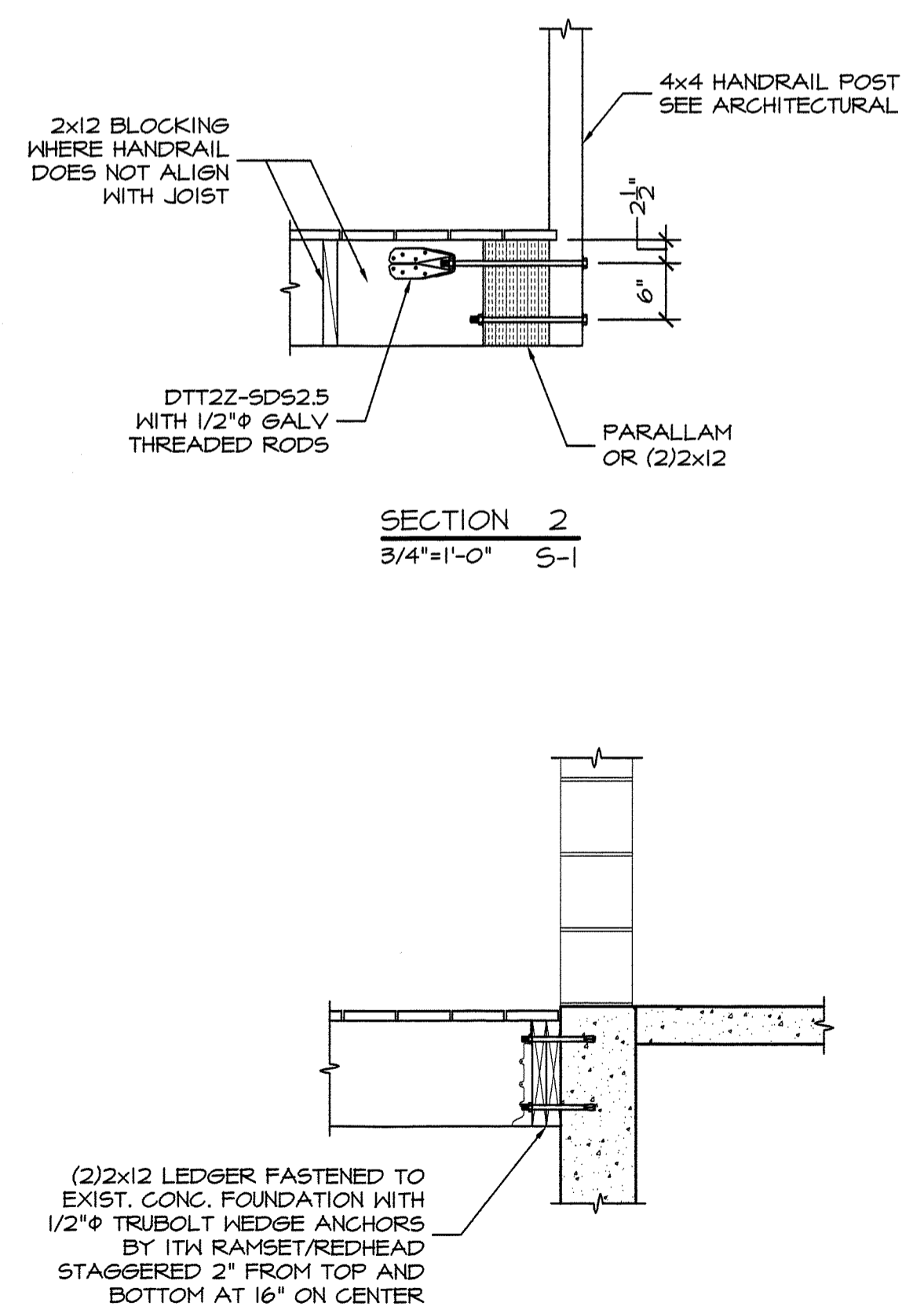


RAISED DINING AREA FRAMING PLAN
1/4"=1'-0"

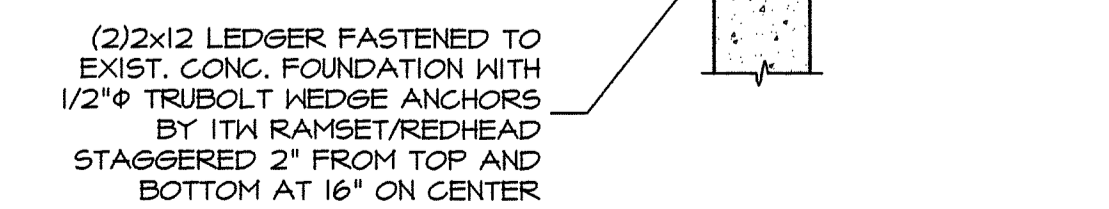
ALL DIMENSIONS ARE TO FACE OF FRAMING.
ALL DECK FRAMING MEMBERS ARE S-P-F NO. 2 OR BETTER.



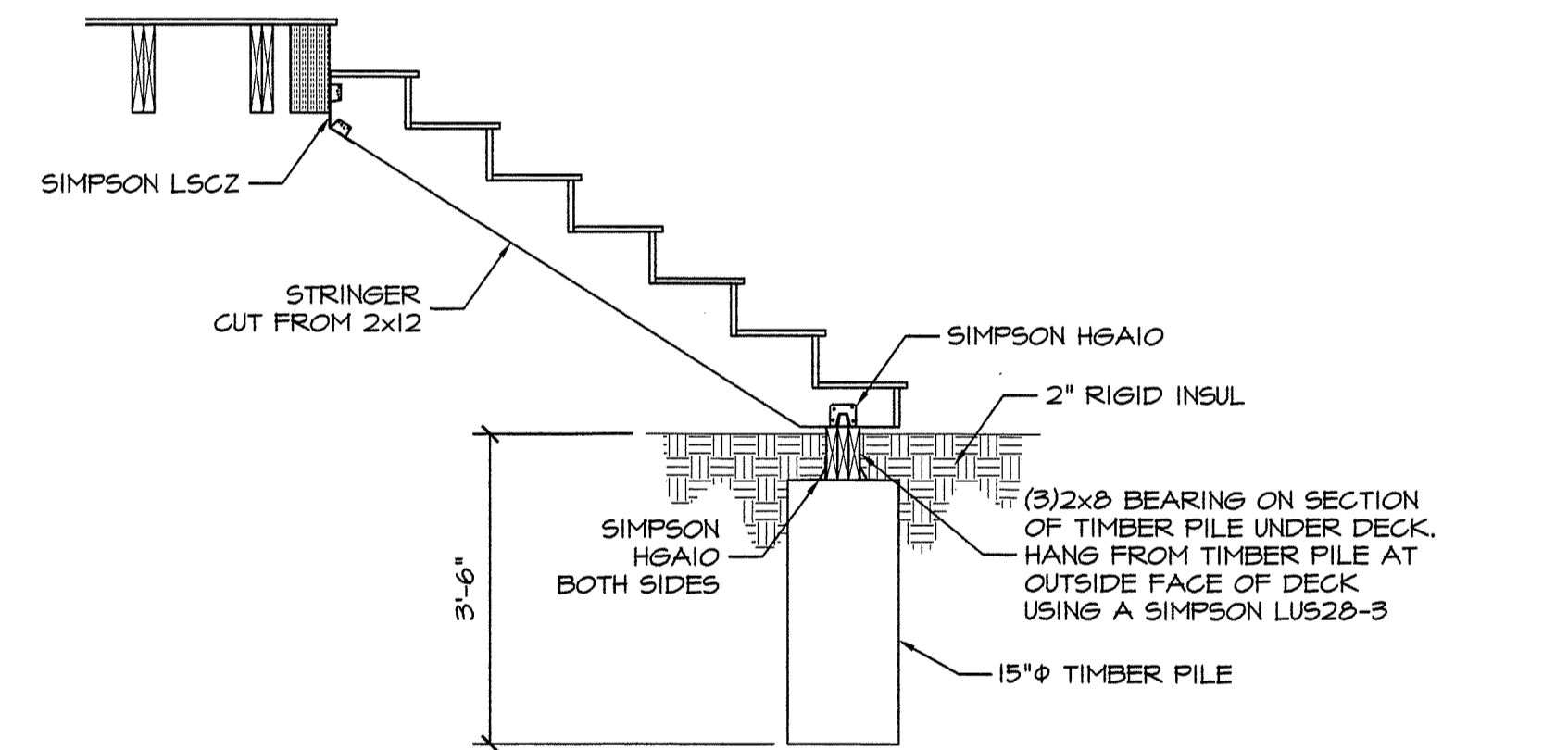
SECTION 1
1/2"=1'-0" S-1



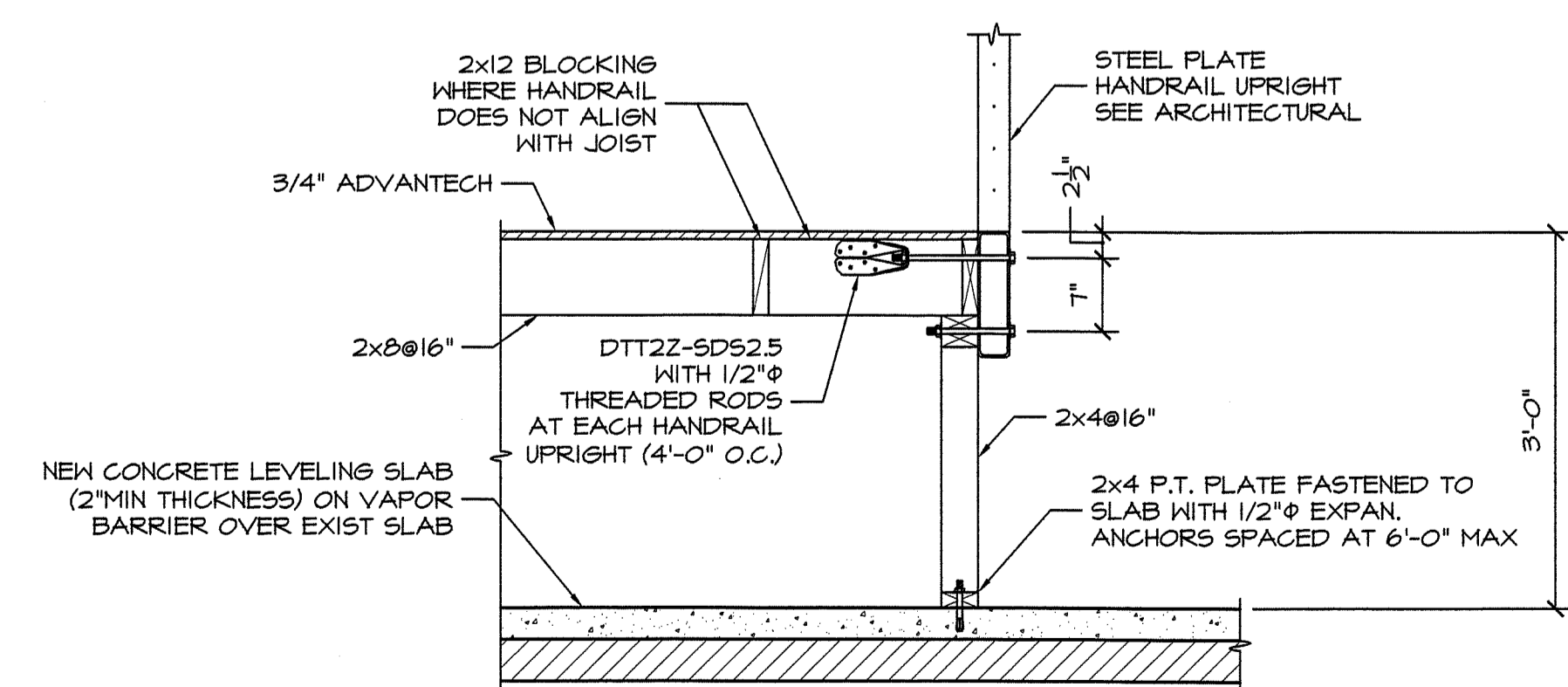
SECTION 2
3/4"=1'-0" S-1



SECTION 3
3/4"=1'-0" S-1



SECTION 4
1/2"=1'-0" S-1



SECTION 5
3/4"=1'-0" S-1

Prepared For:

22 Odumport Drive
Old Orchard Beach, ME 04064-4121
Tel: 207.934.8038
Fax: 207.934.8039

Consulting Engineer:

Architect:

48 Union Wharf Portland, Maine 04101
(207) 772-6022 Fax (207) 772-4056

Project:

250 COMMERCIAL STREET
PORTLAND, ME 04101

Revisions:

Date: 10 May 2012

Scale: As Noted

**DECK FRAMING
RAISED DINING FRAMING
AND DETAILS**

S1-0