

DECK FRAMING PLAN

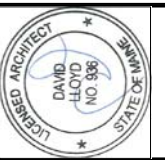
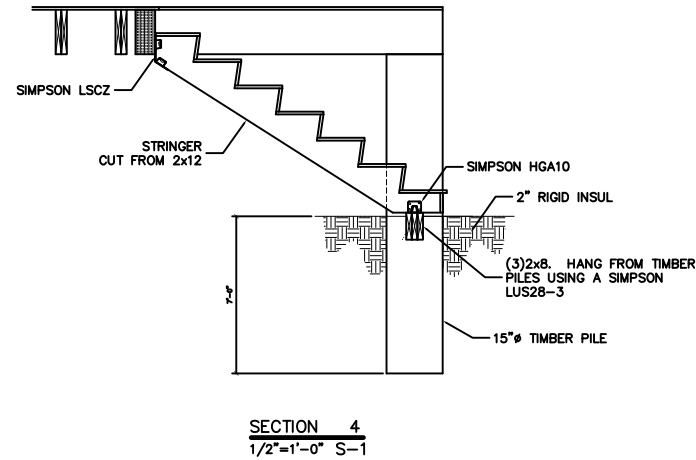
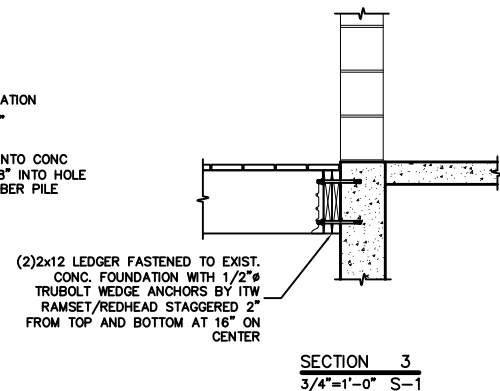
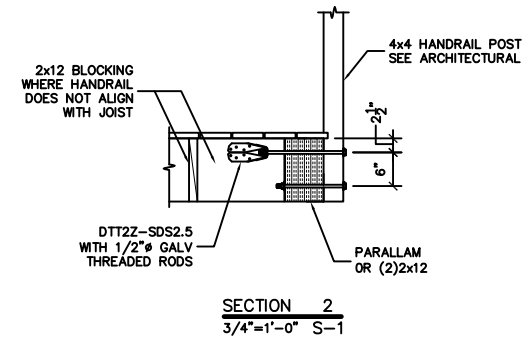
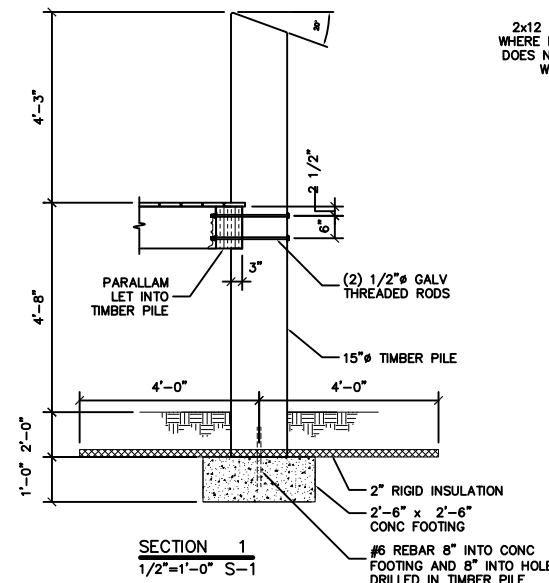
1/4"=1'-0"

ALL DECK FRAMING MEMBERS ARE PRESSURE TREATED.
ALL JOISTS ARE SO. YELLOW PINE NO. 2 OR BETTER.
ALL BEAMS ARE 2.OE PARALLAM PSL.

ALL HARDWARE IS SIMPSON Z-MAX COATED, GALVANIZED OR STAINLESS STEEL.

FRAMING HARDWARE SCHEDULE	
LOCATION	CONNECTOR
2x12 TO BEAM OR LEDGER	LU210
(2)2x12 TO BEAM OR LEDGER	U210-2
(3)2x12 TO BEAM	LUS28
3 1/4" x 11 7/8" PSL TO BEAM	HB5.50/11.88
STRINGER HANGER	LSCZ
STRINGER BASE	HGA10
HANDRAIL POST TIE	(2) DTT2Z-SDS2.5 WITH 1/2" THRD. ROD

ALL HARDWARE MANUFACTURED BY SIMPSON STRONGTIE OR APPROVED ALTERNATE.
ALL HARDWARE TO HAVE SIMPSON Z-MAX COATING.



Prepared For:

22 Ocean Drive
Old Orchard Beach, ME
04064-1121
Tel: 207.934.8836
Fax: 207.934.8839

Consulting Engineer:



Architect:



Project:

250 COMMERCIAL STREET
PORTLAND, ME 04101

Revisions:

Date: 26 November 2012

Scale: As Noted
DECK FRAMING AND DETAILS

S1-0