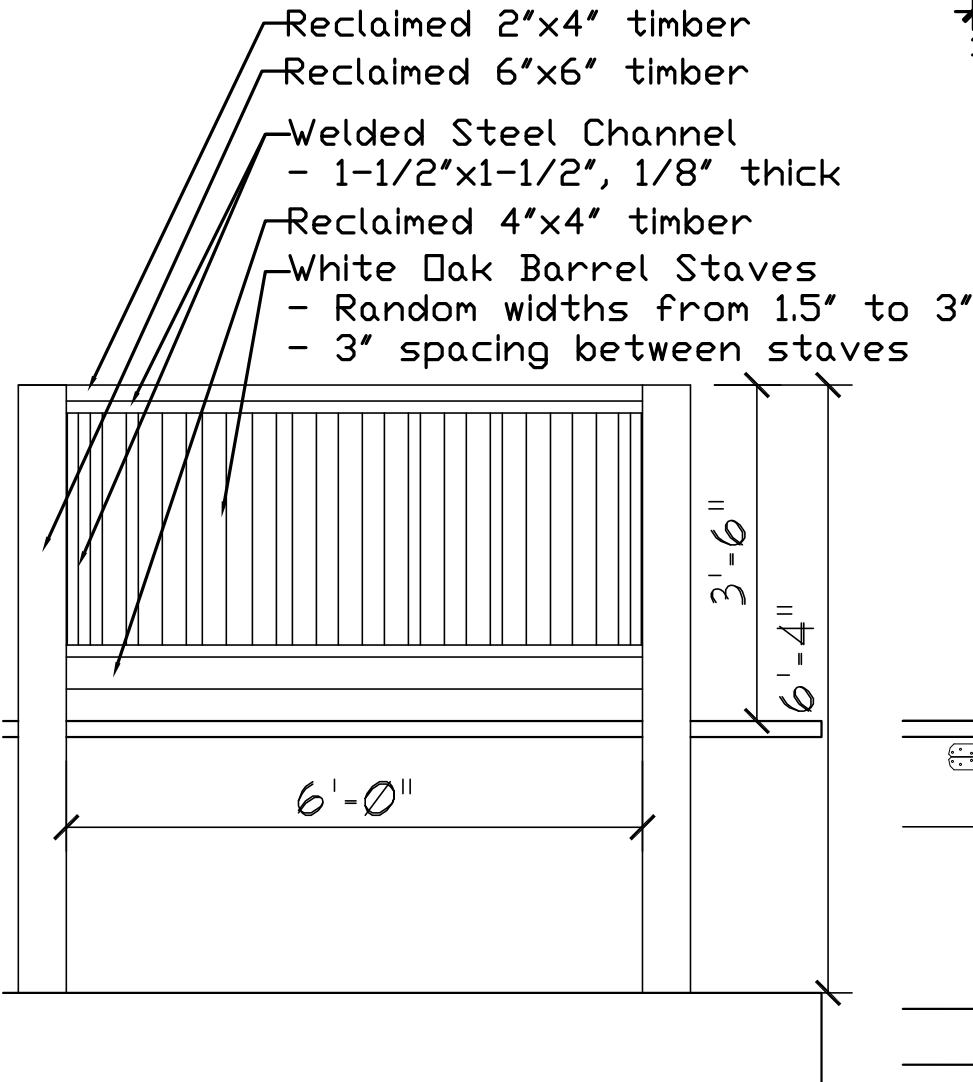
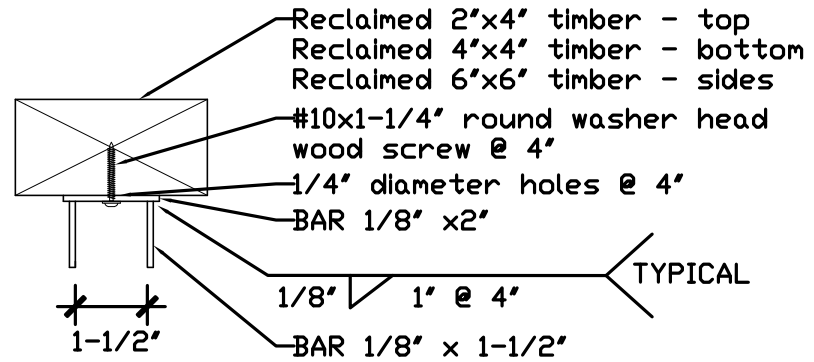


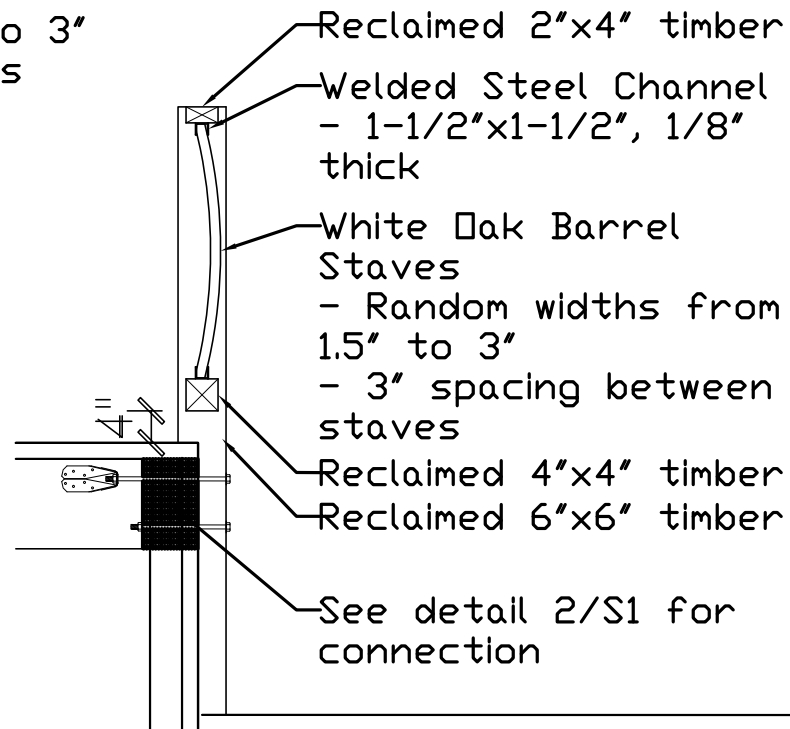
ELEVATION AND SECTION SHOWING GUARDRAIL  
DETAILS AROUND THE RAISED PLATFORM.



1 | GUARDRAIL ELEVATION AT RAISED PLATFORM  
SCALE: 1/2"=1'-0"



3 | CHANNEL CONNECTION DETAIL  
SCALE: 1-1/2"=1'-0"



2 | GUARDRAIL SECTION AT RAISED PLATFORM  
SCALE: 1/2"=1'-0"



48 Union Wharf Portland, Maine 04101  
(207) 772-6022 Fax (207) 772-4056

Date: 109 July 2012 Scale: AS NOTED

GUARDRAIL AT  
RAISED  
PLATFORM

SK TO SHEET A5

Project:  
250 COMMERCIAL STREET

PORTLAND, MAINE

SK1