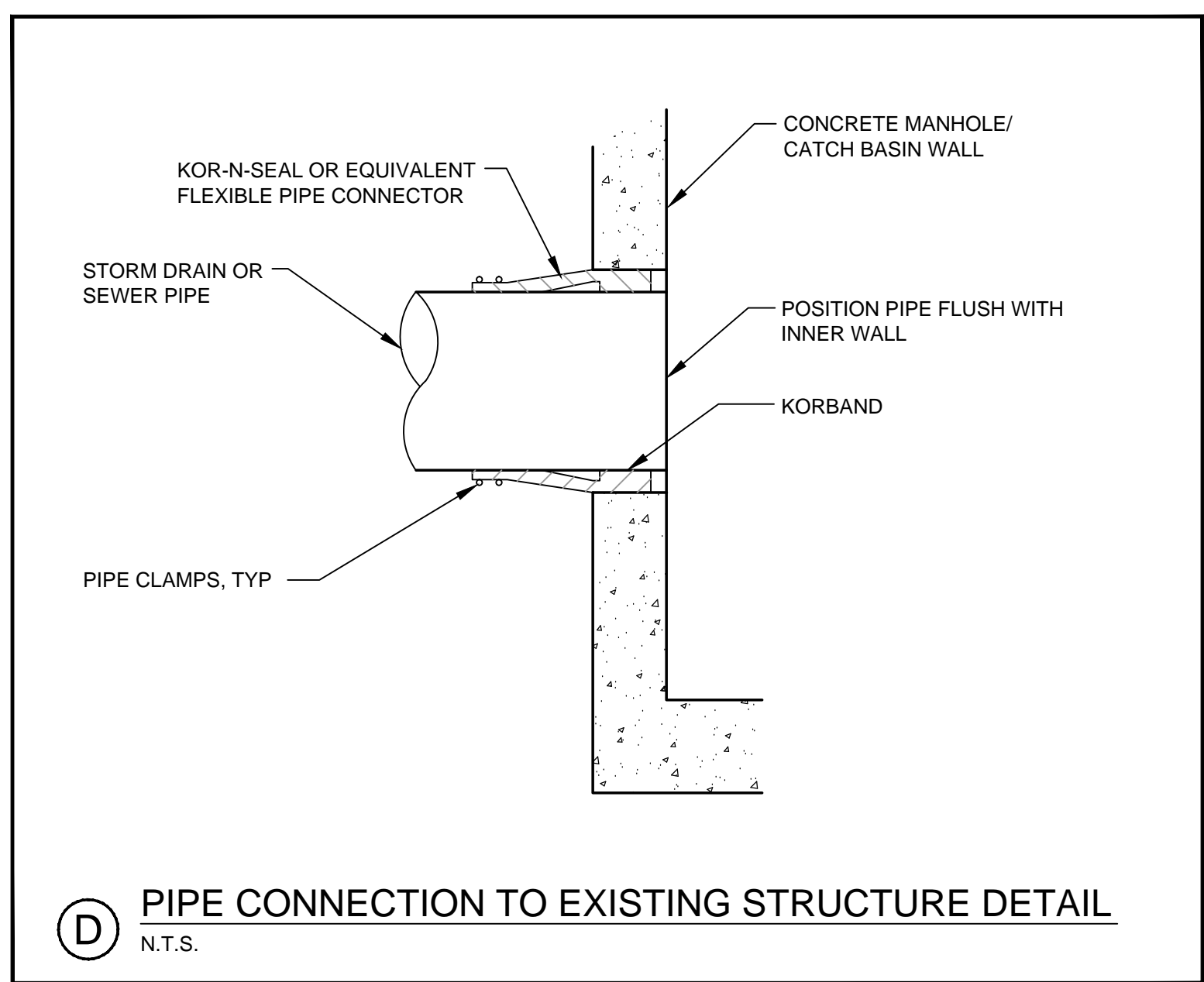
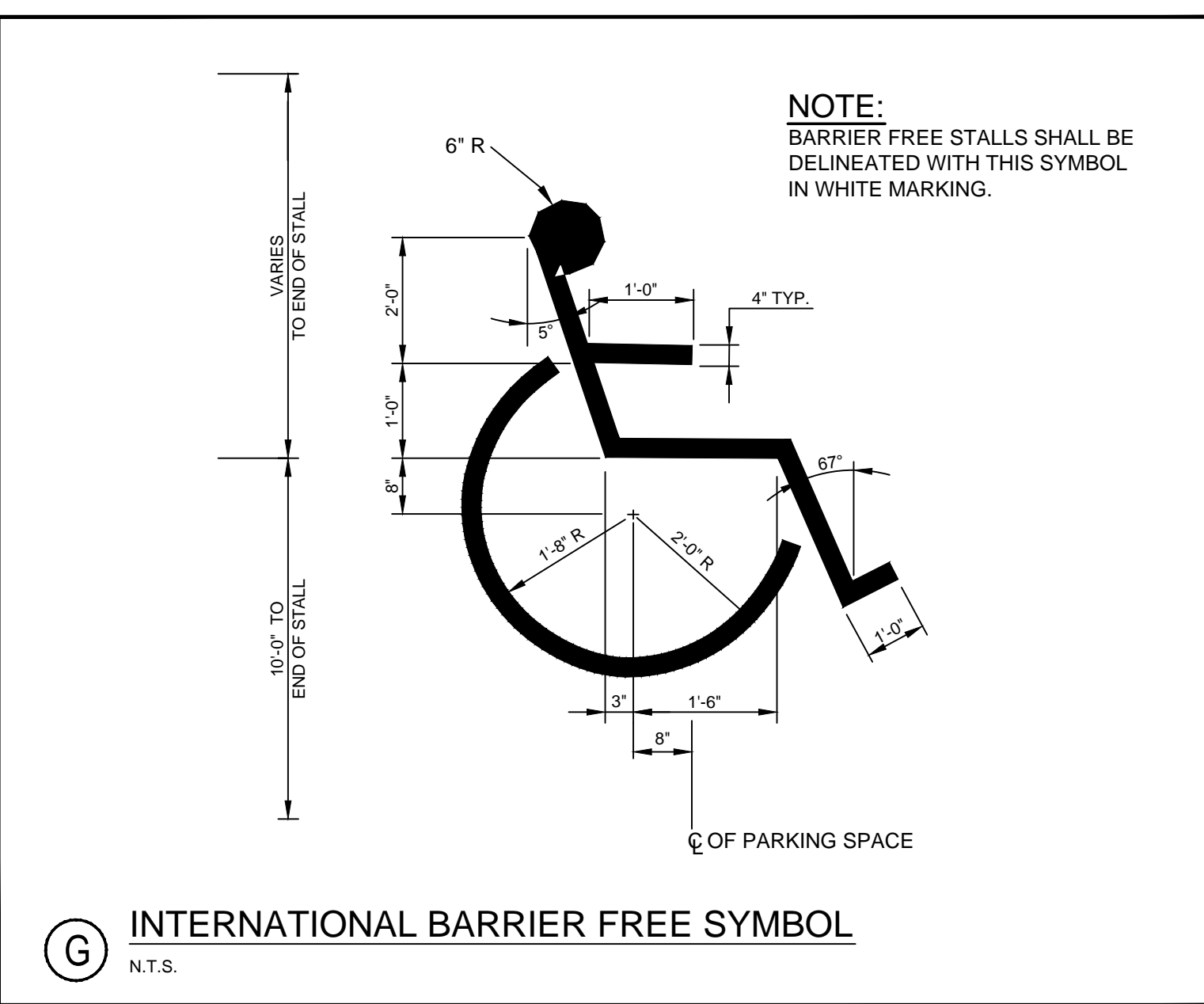


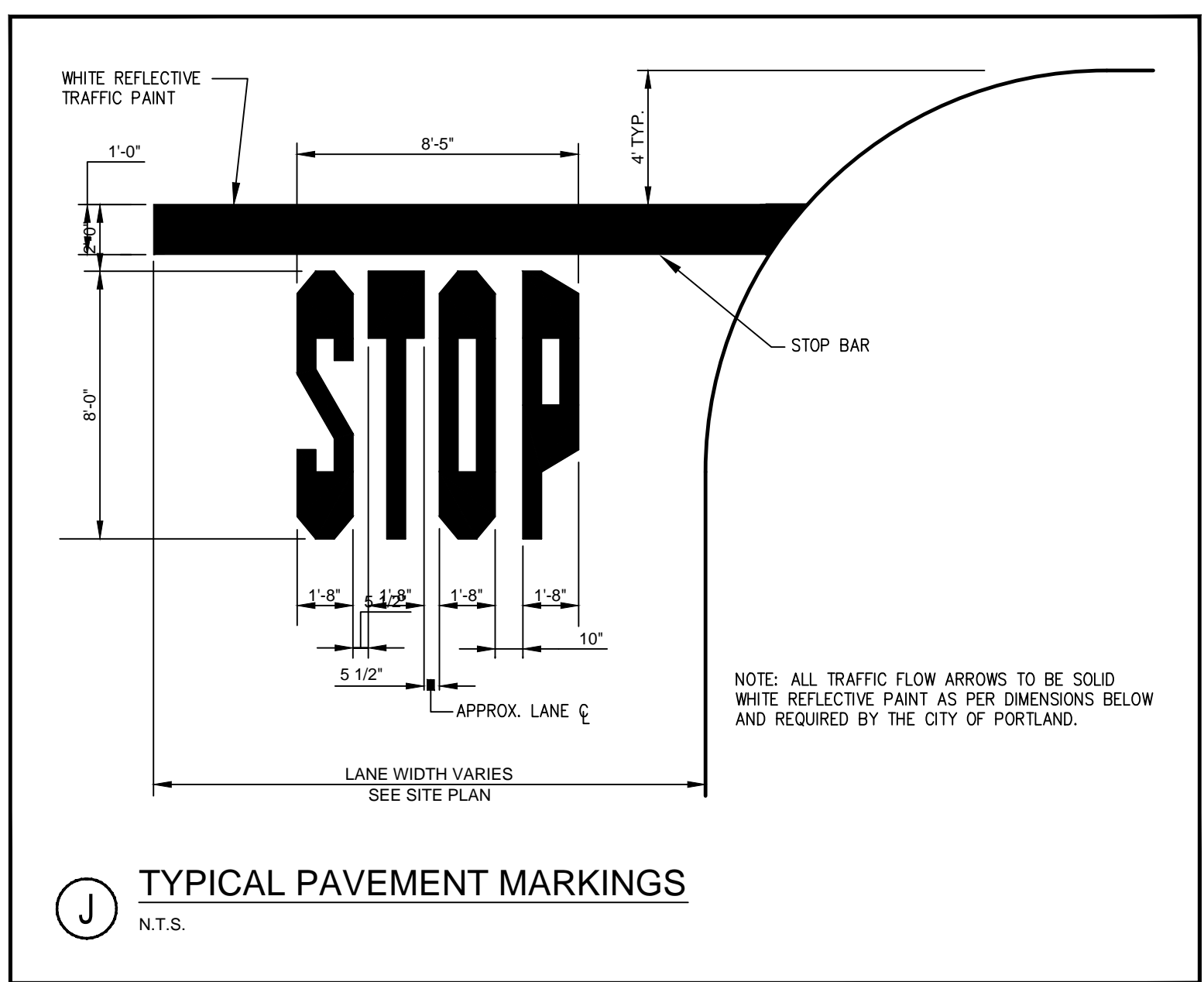
A VERTICAL TO SLOPED CURB TRANSITION STONES
N.T.S.



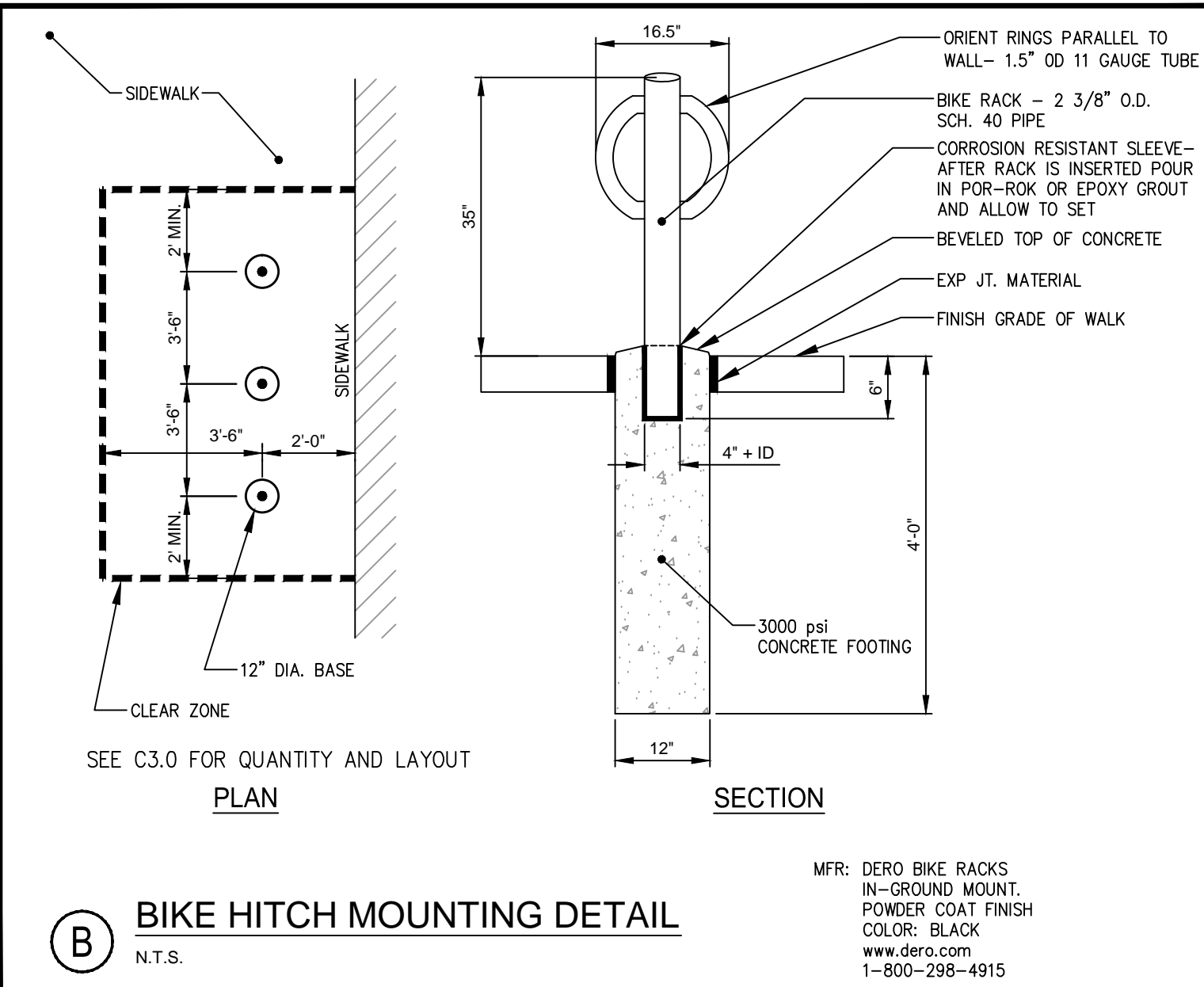
D PIPE CONNECTION TO EXISTING STRUCTURE DETAIL
N.T.S.



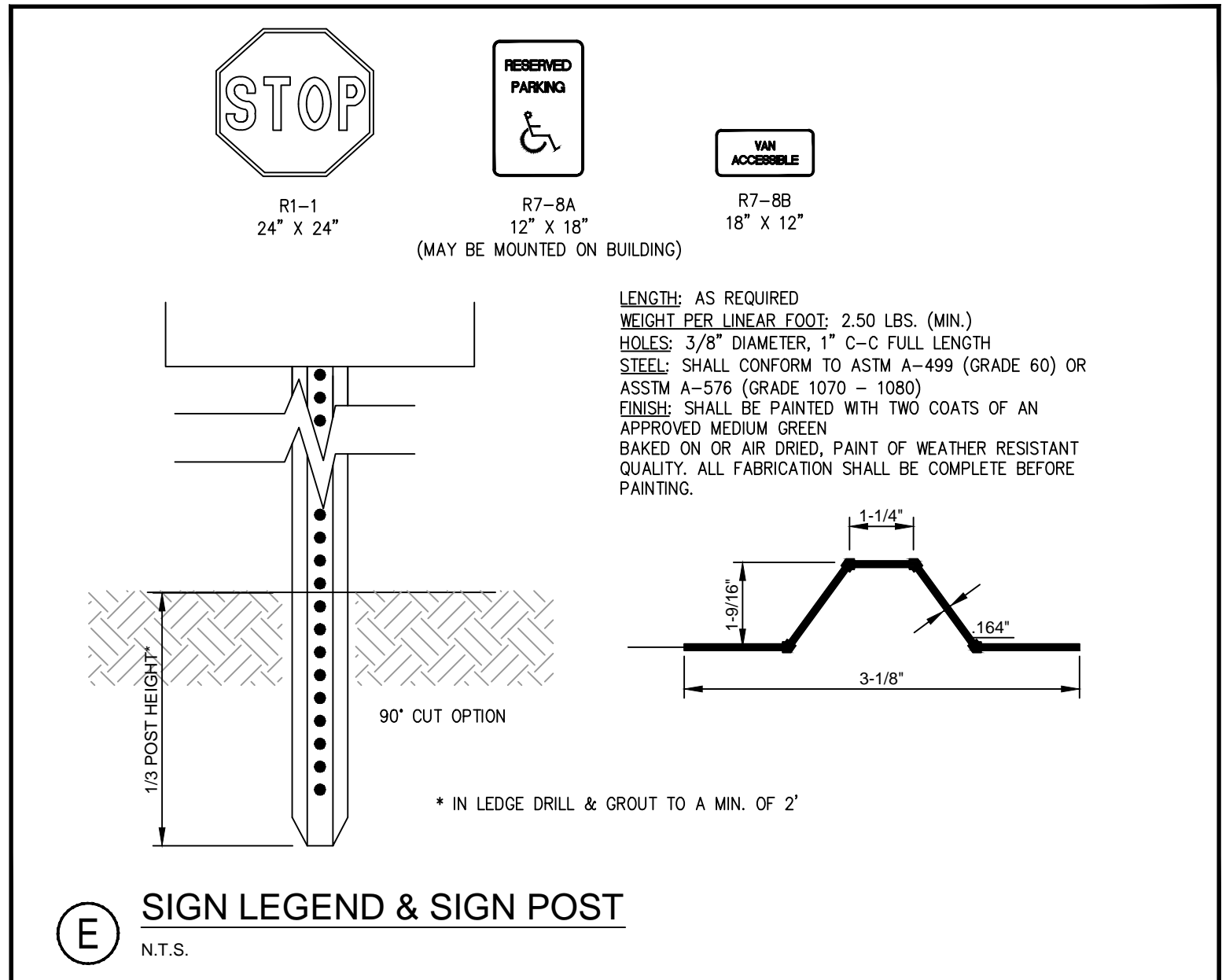
G INTERNATIONAL BARRIER FREE SYMBOL
N.T.S.



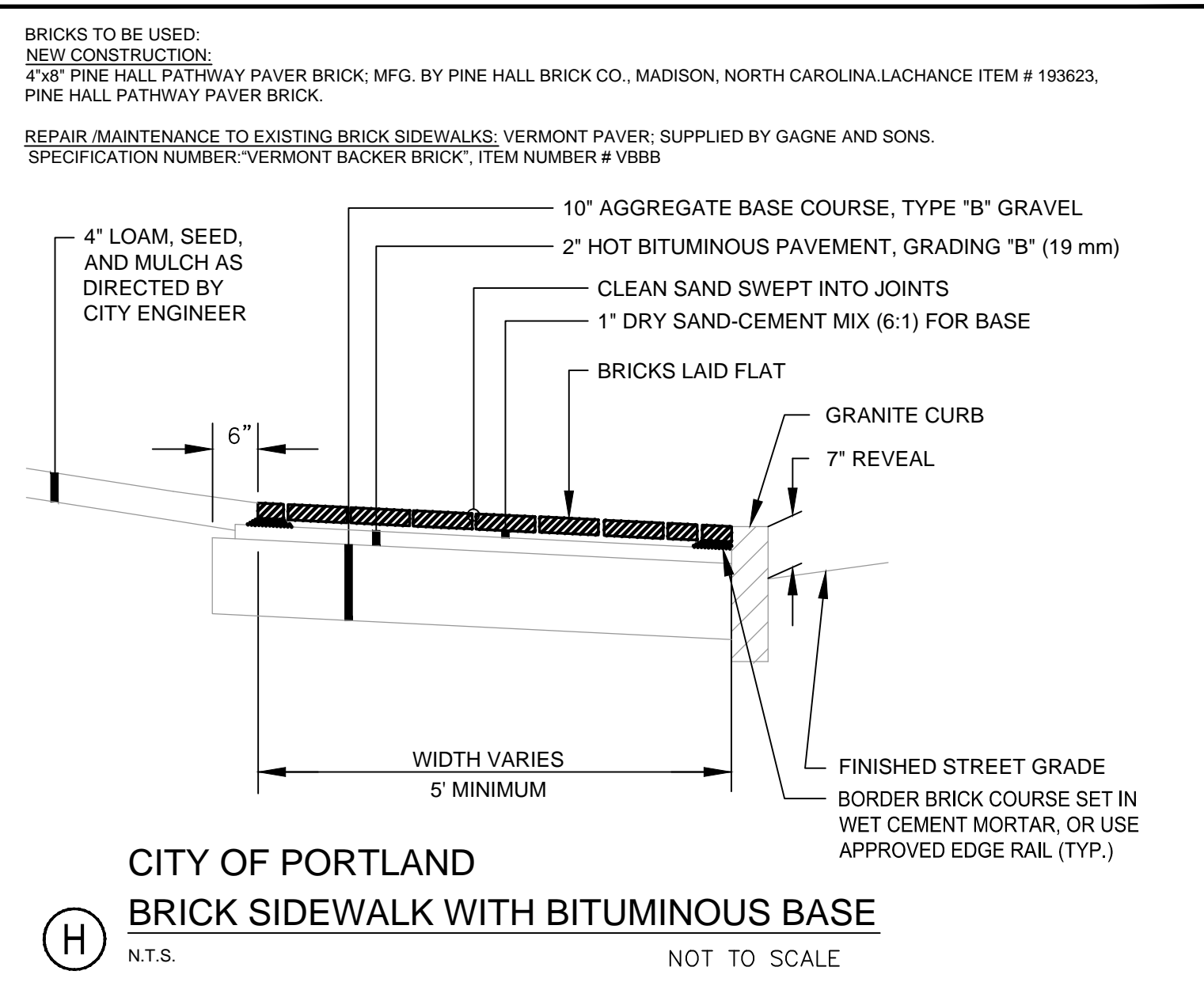
J TYPICAL PAVEMENT MARKINGS
N.T.S.



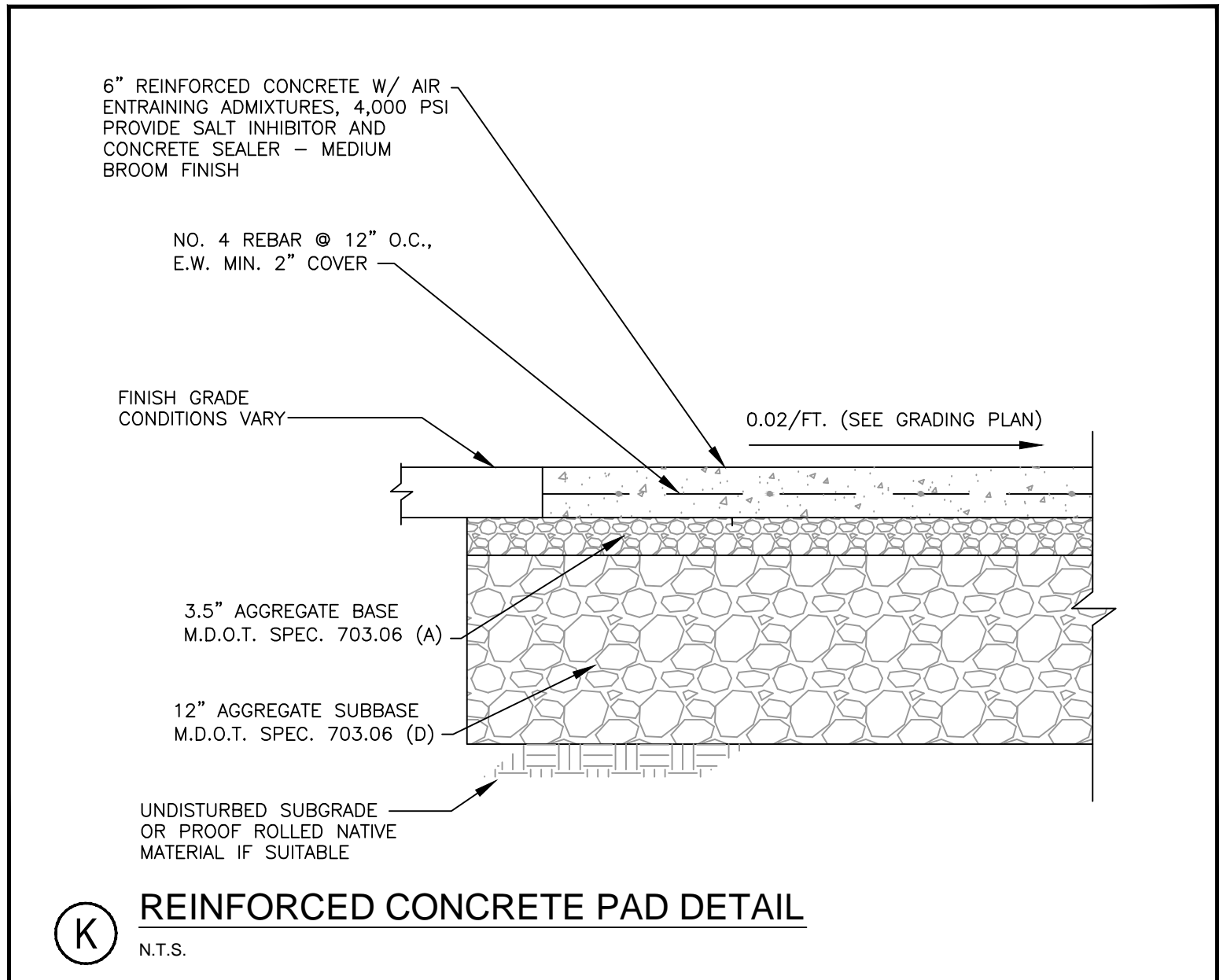
B BIKE HITCH MOUNTING DETAIL
N.T.S.



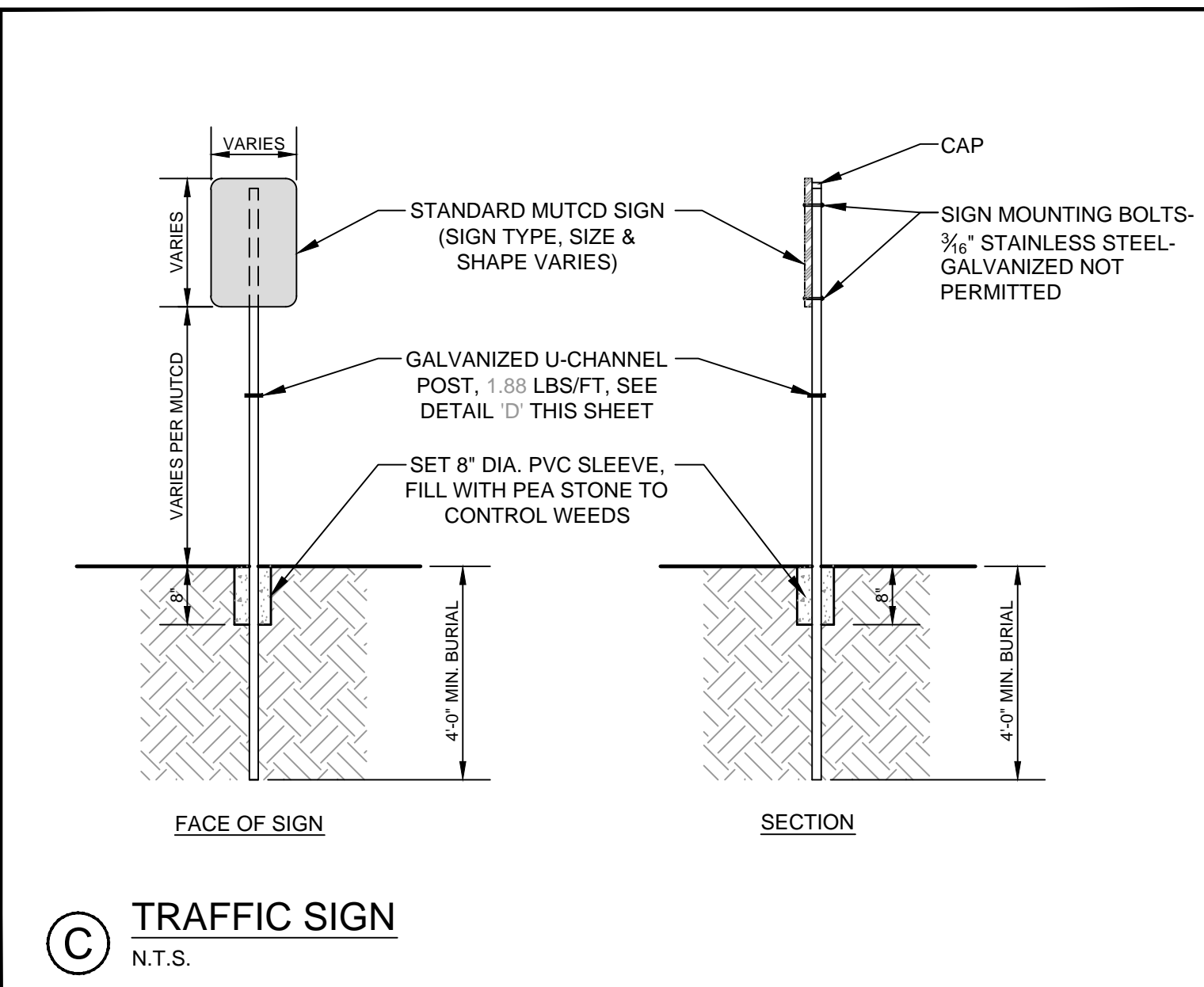
E SIGN LEGEND & SIGN POST
N.T.S.



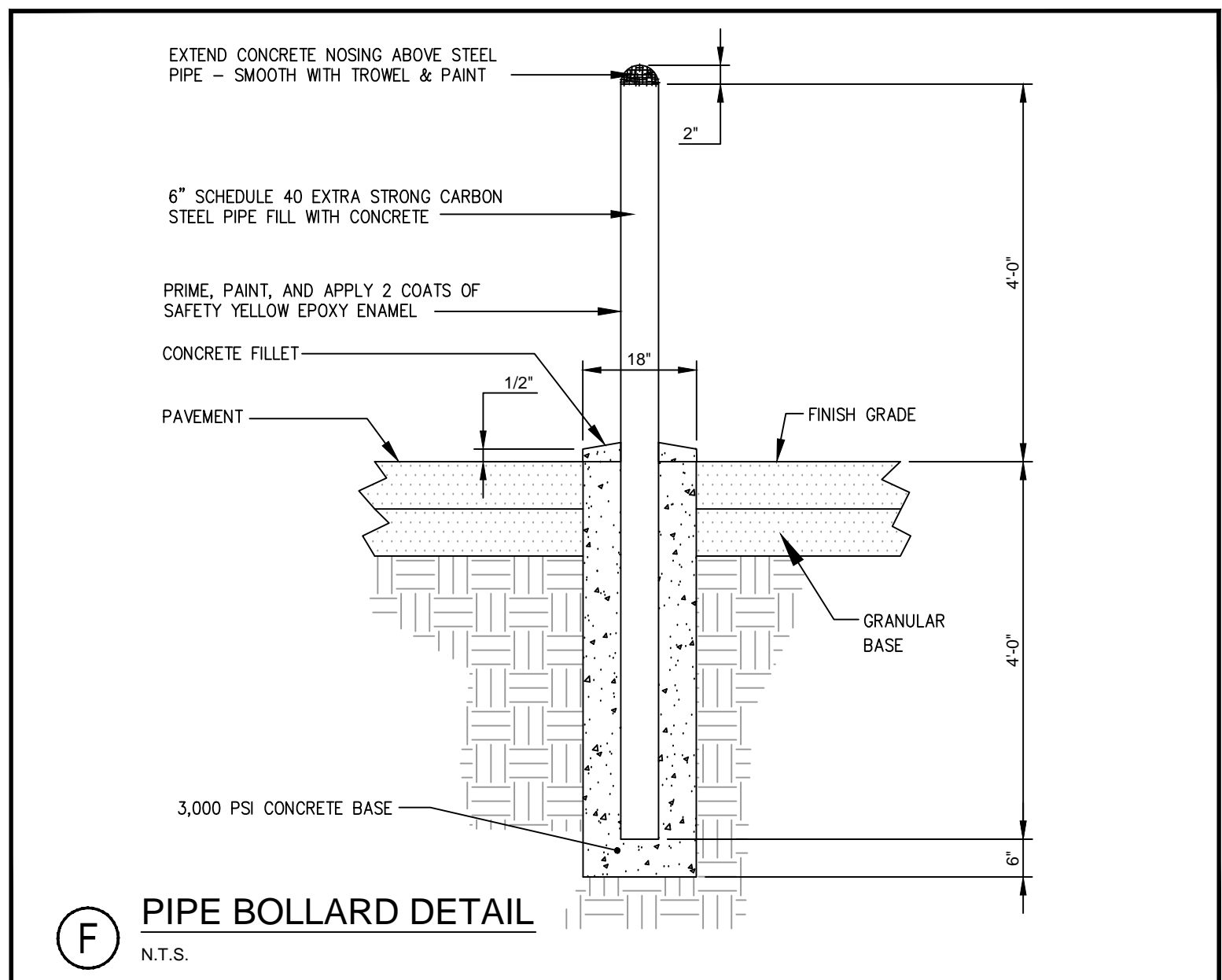
H CITY OF PORTLAND BRICK SIDEWALK WITH BITUMINOUS BASE
N.T.S.



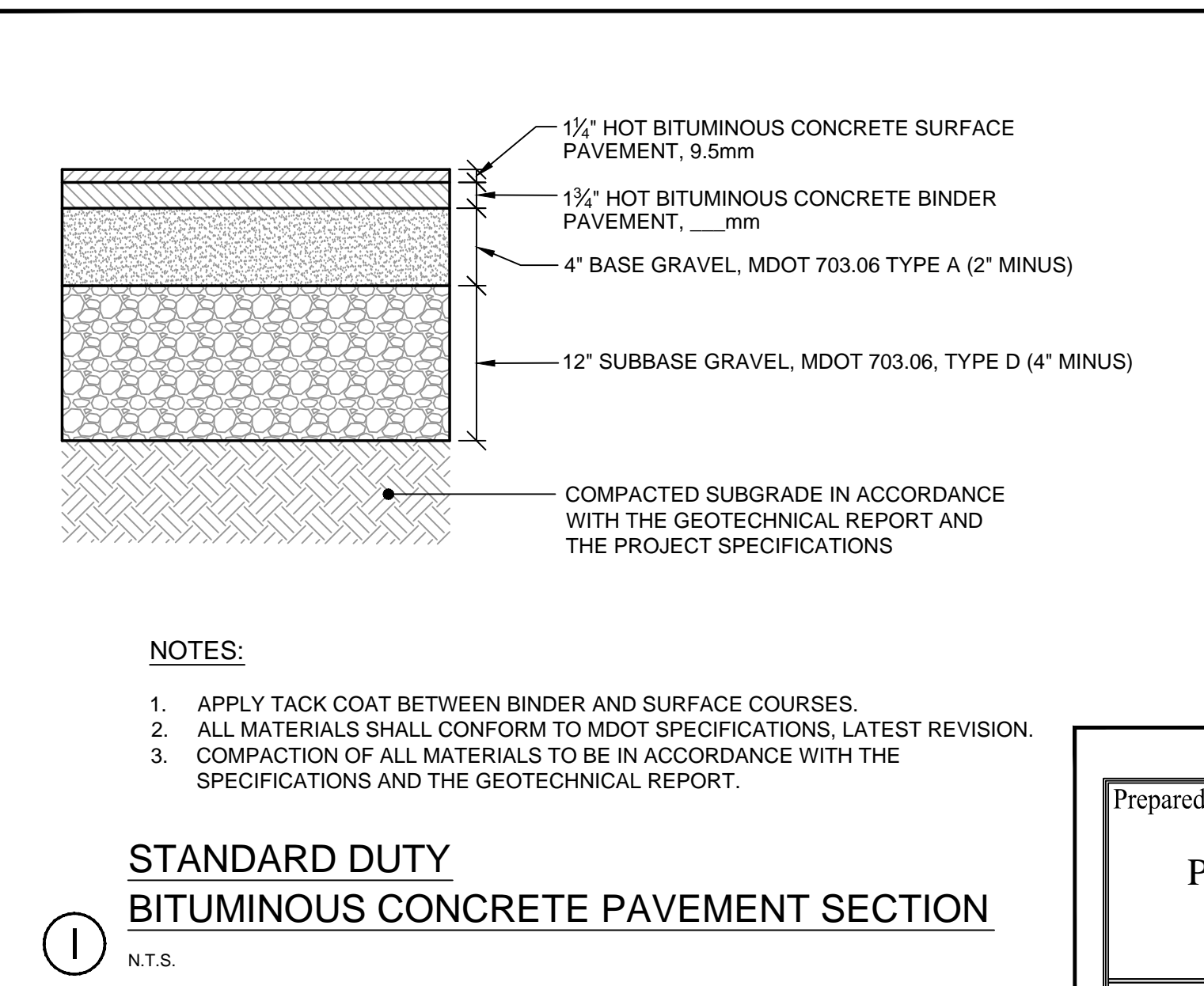
K REINFORCED CONCRETE PAD DETAIL
N.T.S.



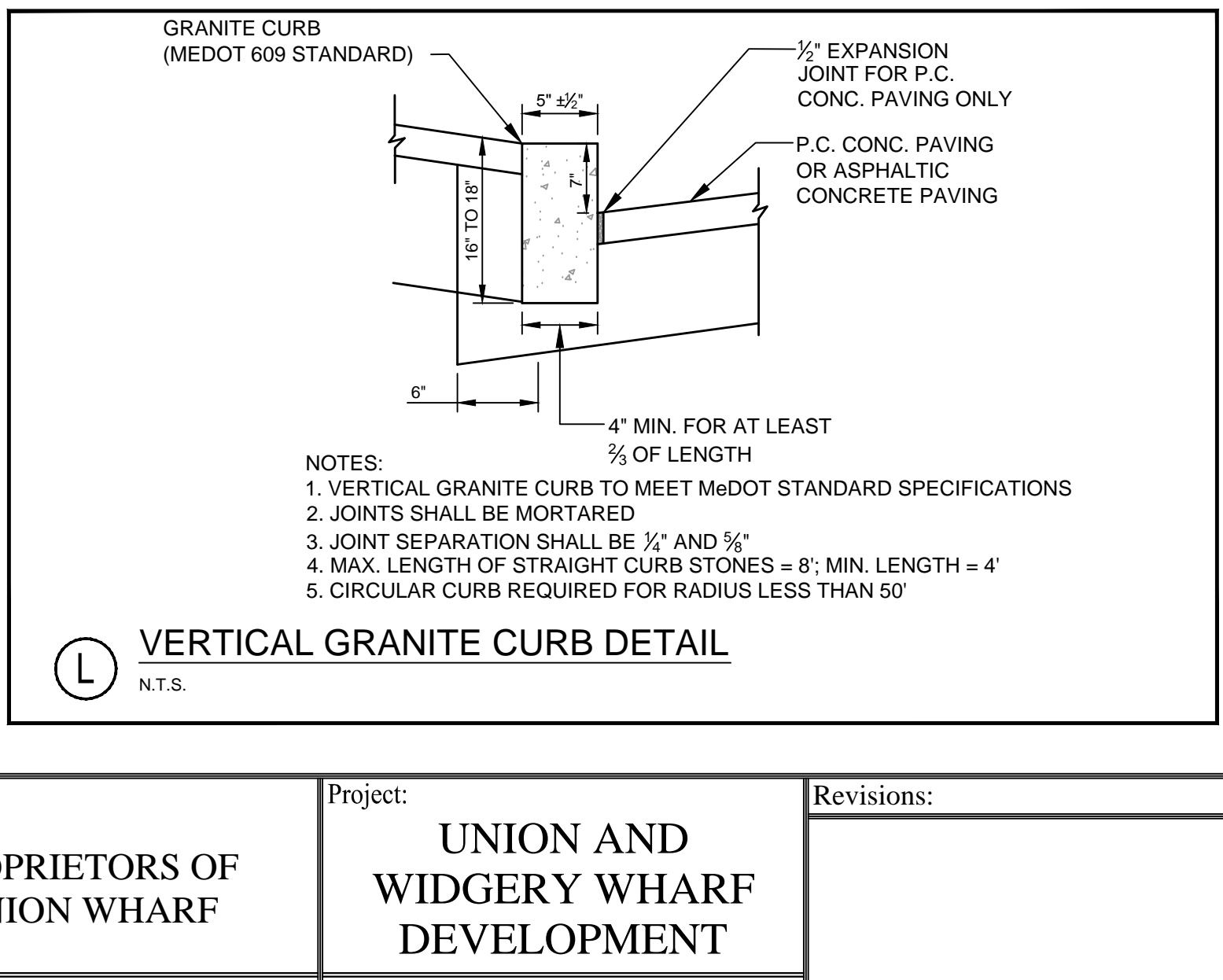
C TRAFFIC SIGN
N.T.S.



F PIPE BOLLARD DETAIL
N.T.S.



I STANDARD DUTY BITUMINOUS CONCRETE PAVEMENT SECTION
N.T.S.



L VERTICAL GRANITE CURB DETAIL
N.T.S.

Prepared For: PROPRIETORS OF UNION WHARF	Project: UNION AND WIDGERY WHARF DEVELOPMENT	Revisions:
36 UNION WHARF PORTLAND, ME 04101	PORTLAND, MAINE	05.26.16 - PRELIMINARY PLAN SUBMISSION TO CITY
Architect: ARCHETYPE Architects 48 Union Wharf Portland, Maine 04101 (207) 772-6022 Fax (207) 772-4056	Date: JAN 2015	Scale: N.T.S.
STANTEC CONSULTING SERVICES INC. 482 PAYNE ROAD SCARBOROUGH COURT SCARBOROUGH ME 04074-8929 WWW.STANTEC.COM		C-7.1