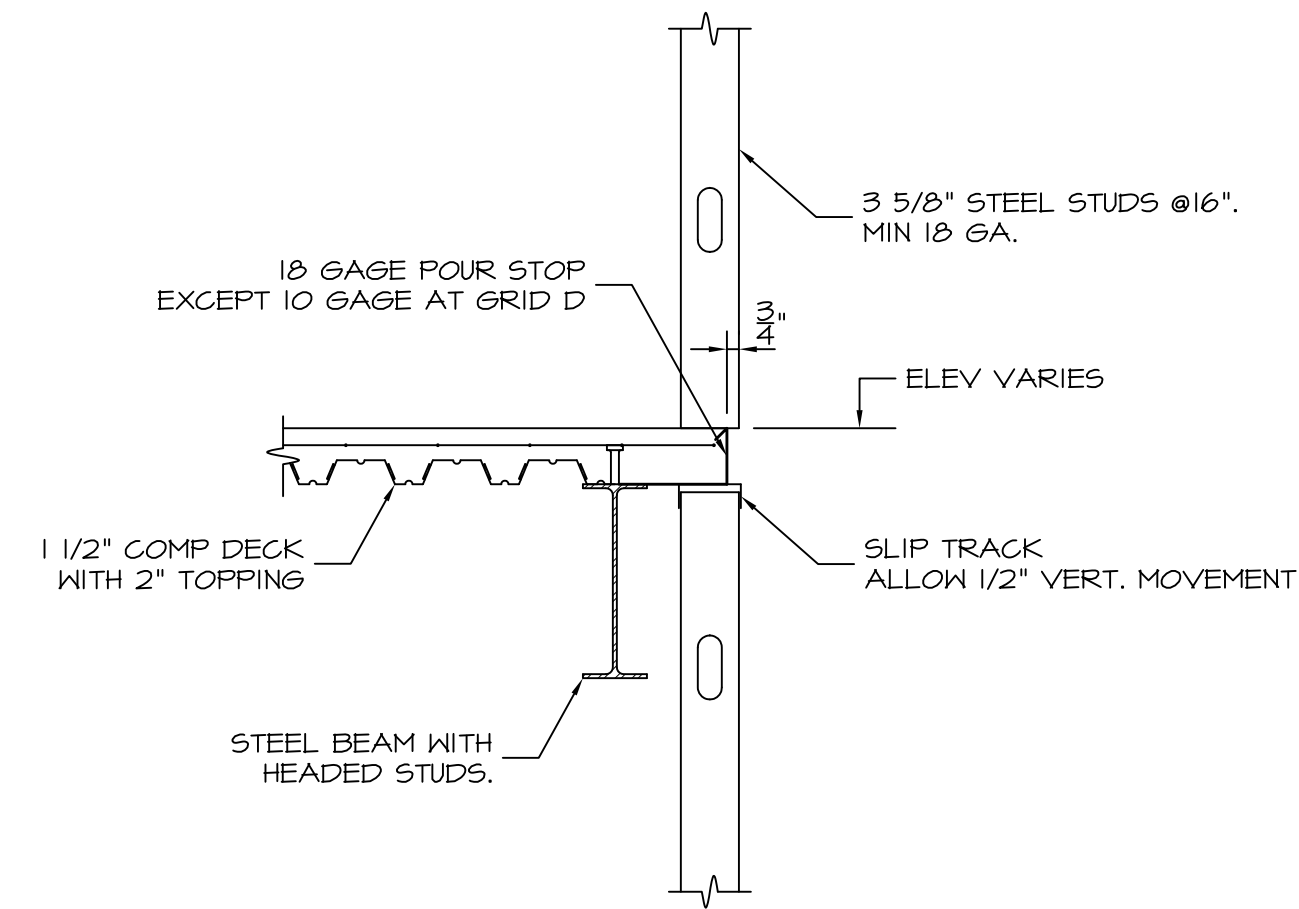


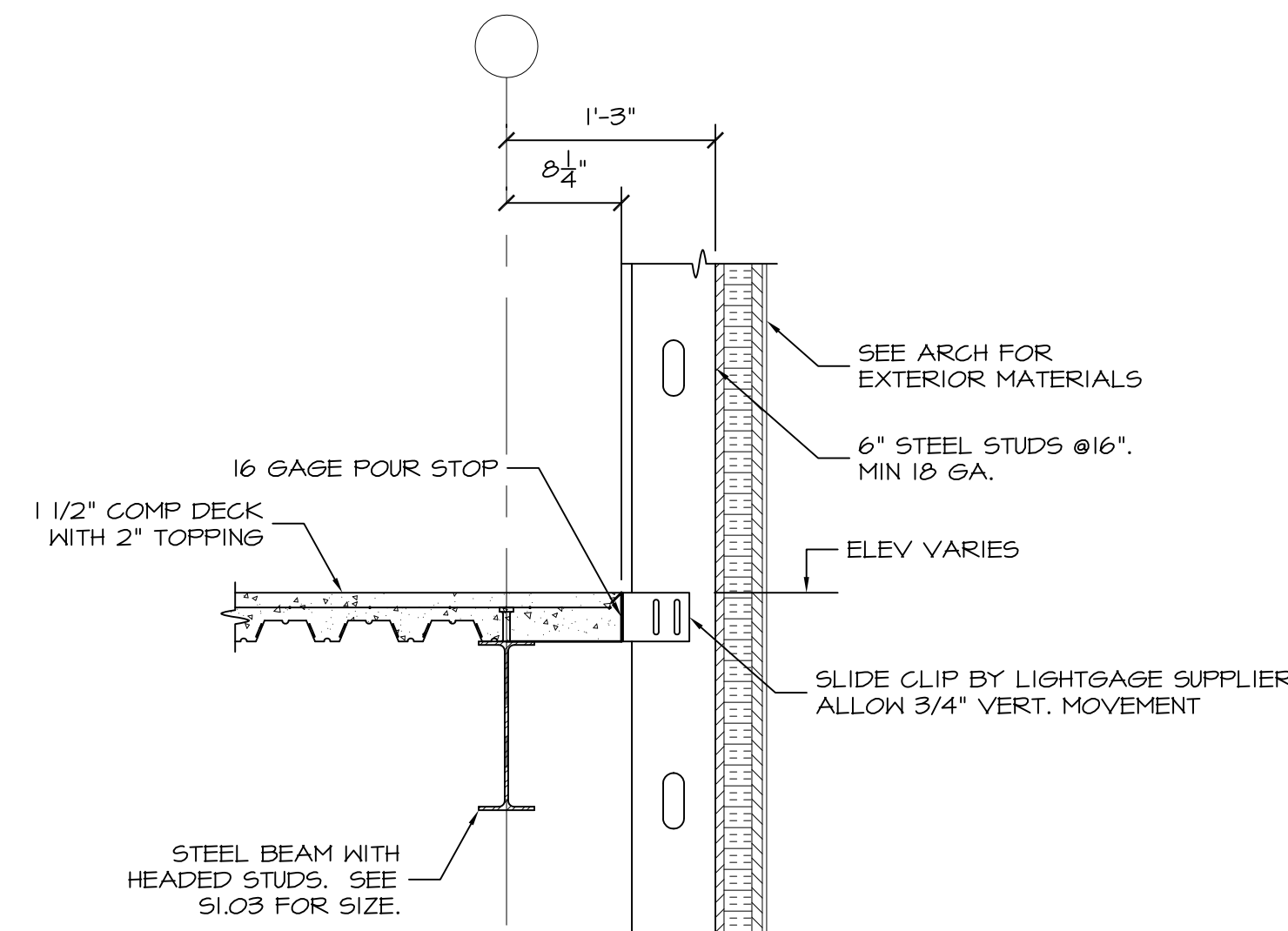
SECTION 1
1"=1'-0" S1.03

STEEL DECK IN OPPOSITE DIRECTION AT SIM.



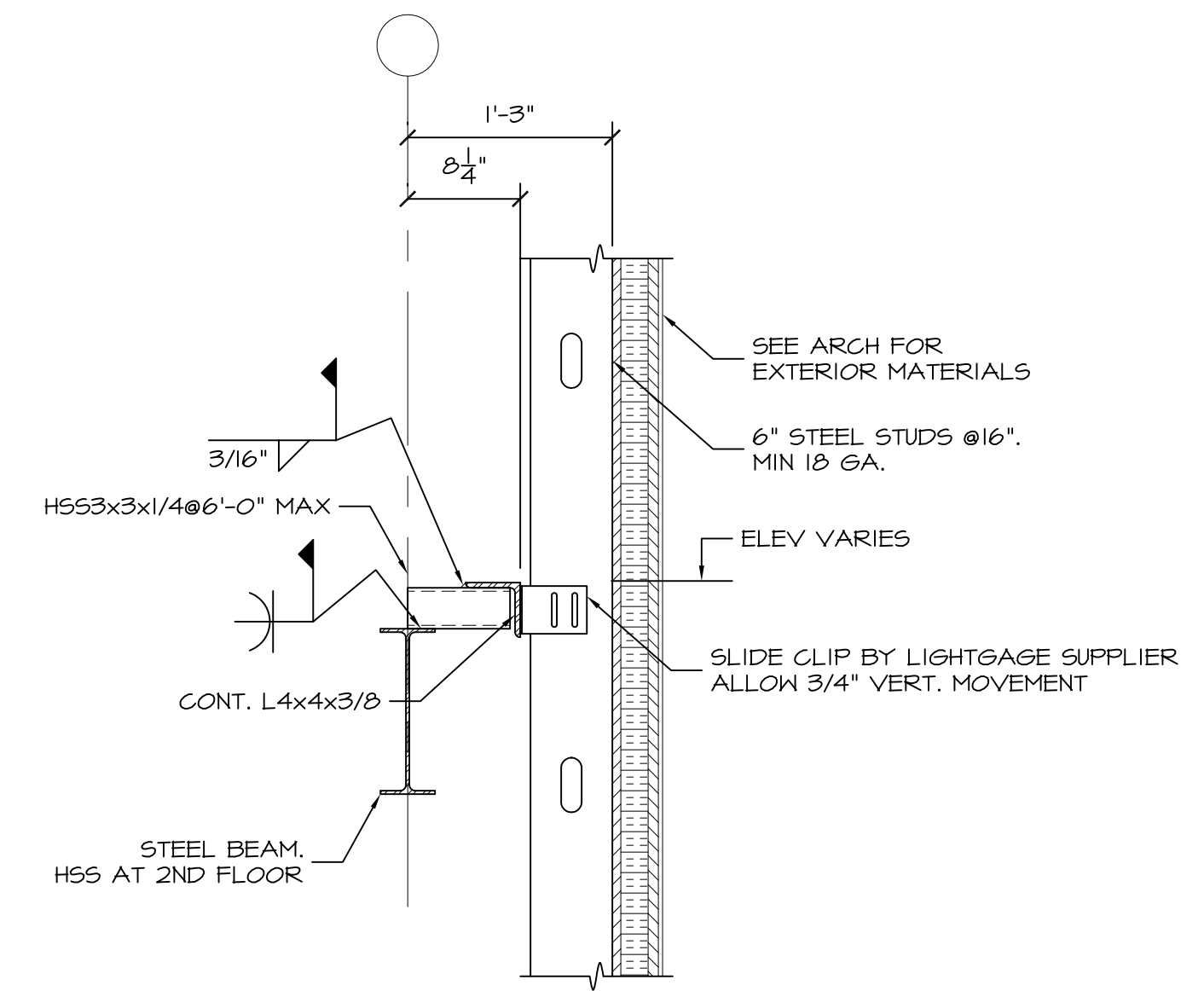
SECTION 2
1"=1'-0" S1.03
S1.04

TYPICAL AT STAIR OPENINGS

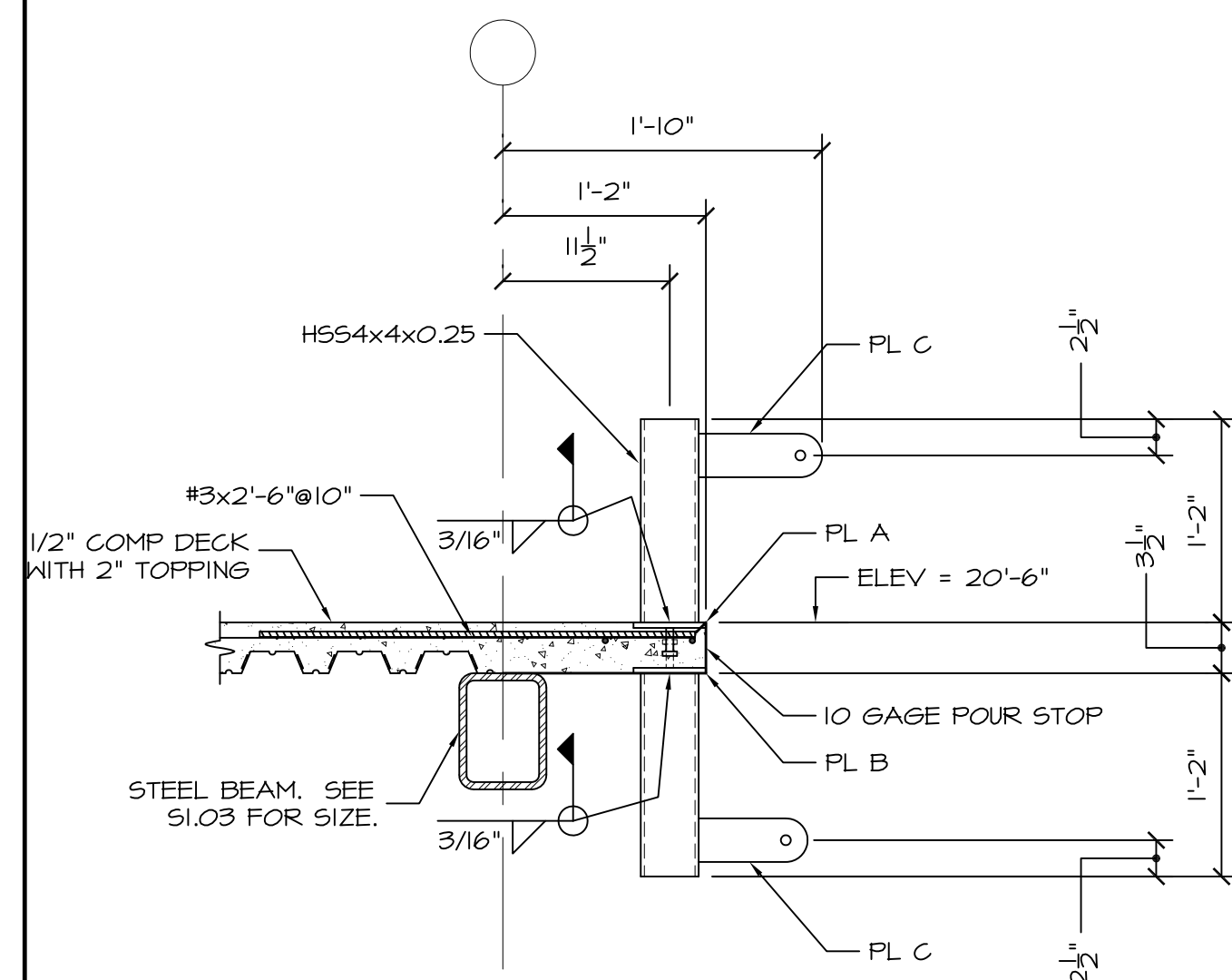


SECTION 3
1"=1'-0" S1.04

STEEL DECK IN OPPOSITE DIRECTION AT SIM.

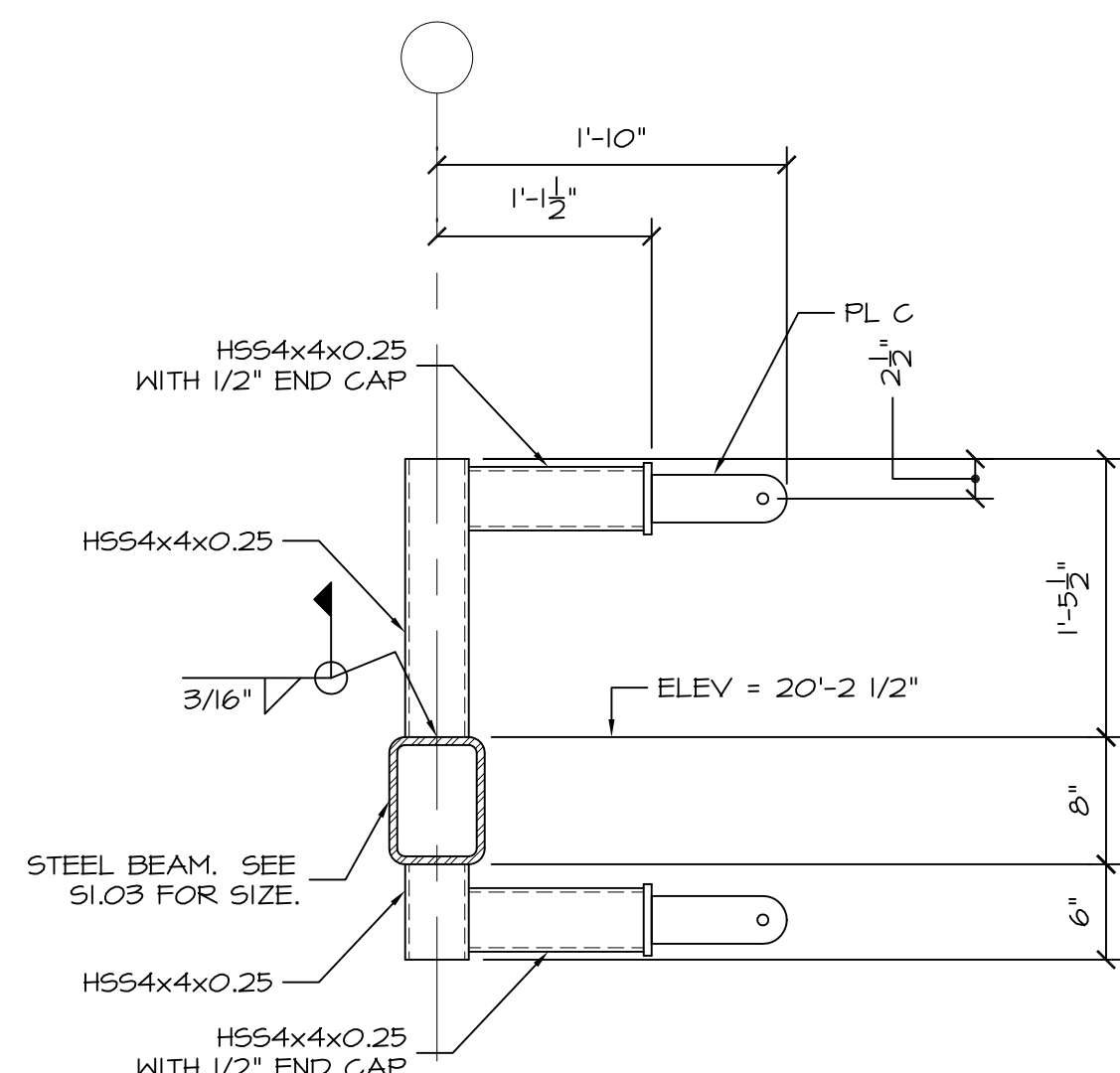


SECTION 4
1"=1'-0" S1.03
S1.04



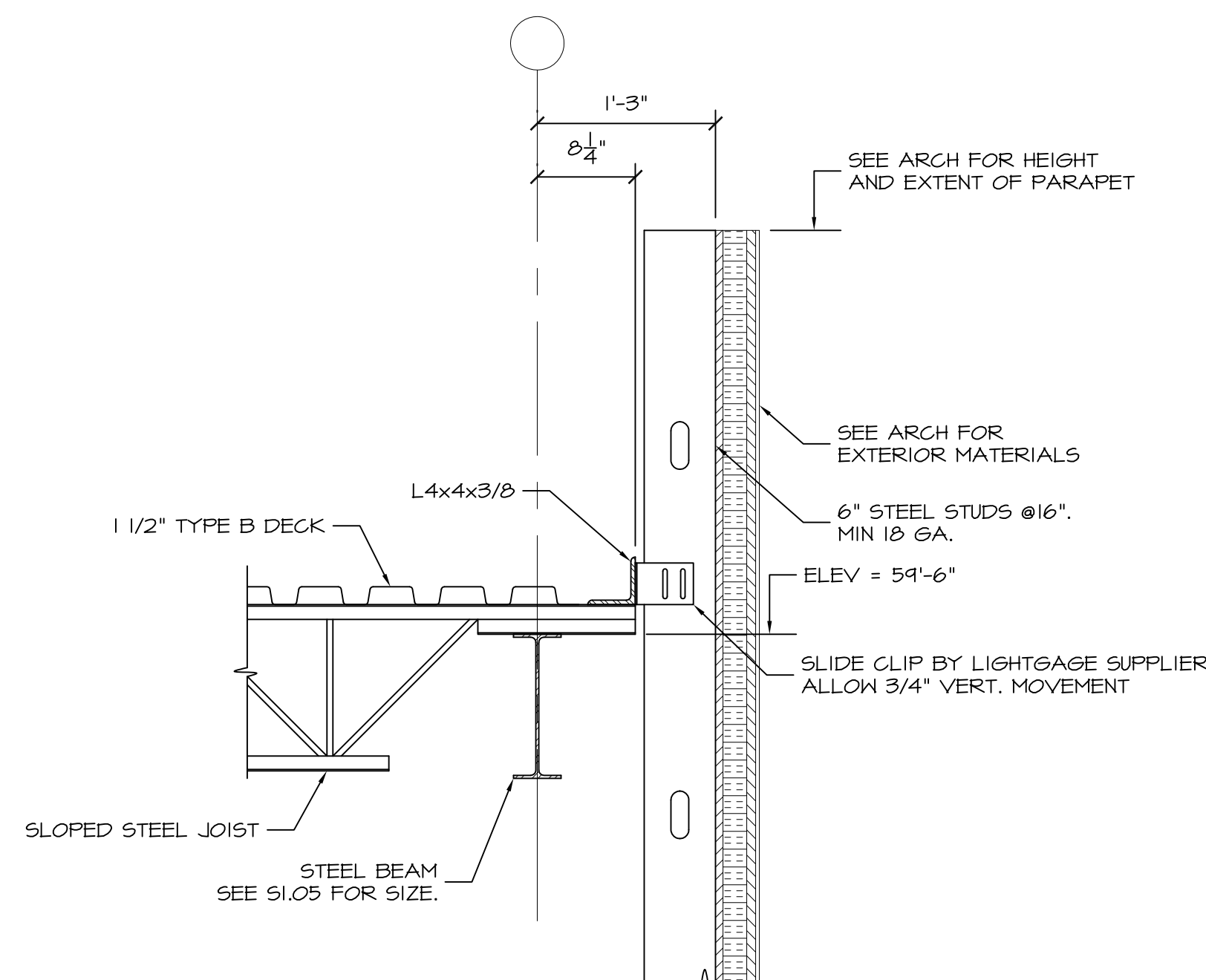
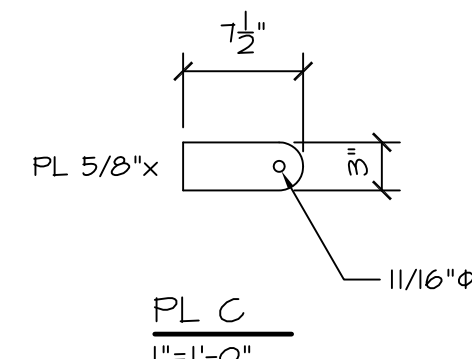
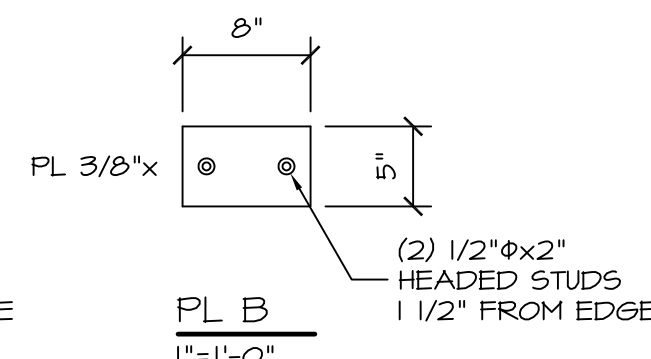
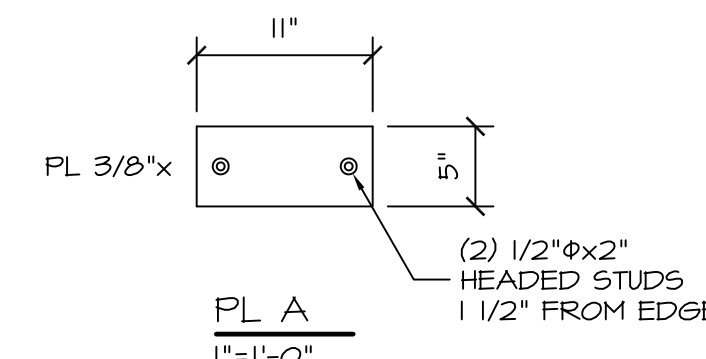
SECTION 5
1"=1'-0" S1.03

SEE S1.03 FOR LOCATIONS OF CANOPY SUPPORTS. EXTERIOR WALL NOT SHOWN FOR CLARITY. SEE SECTION 3.



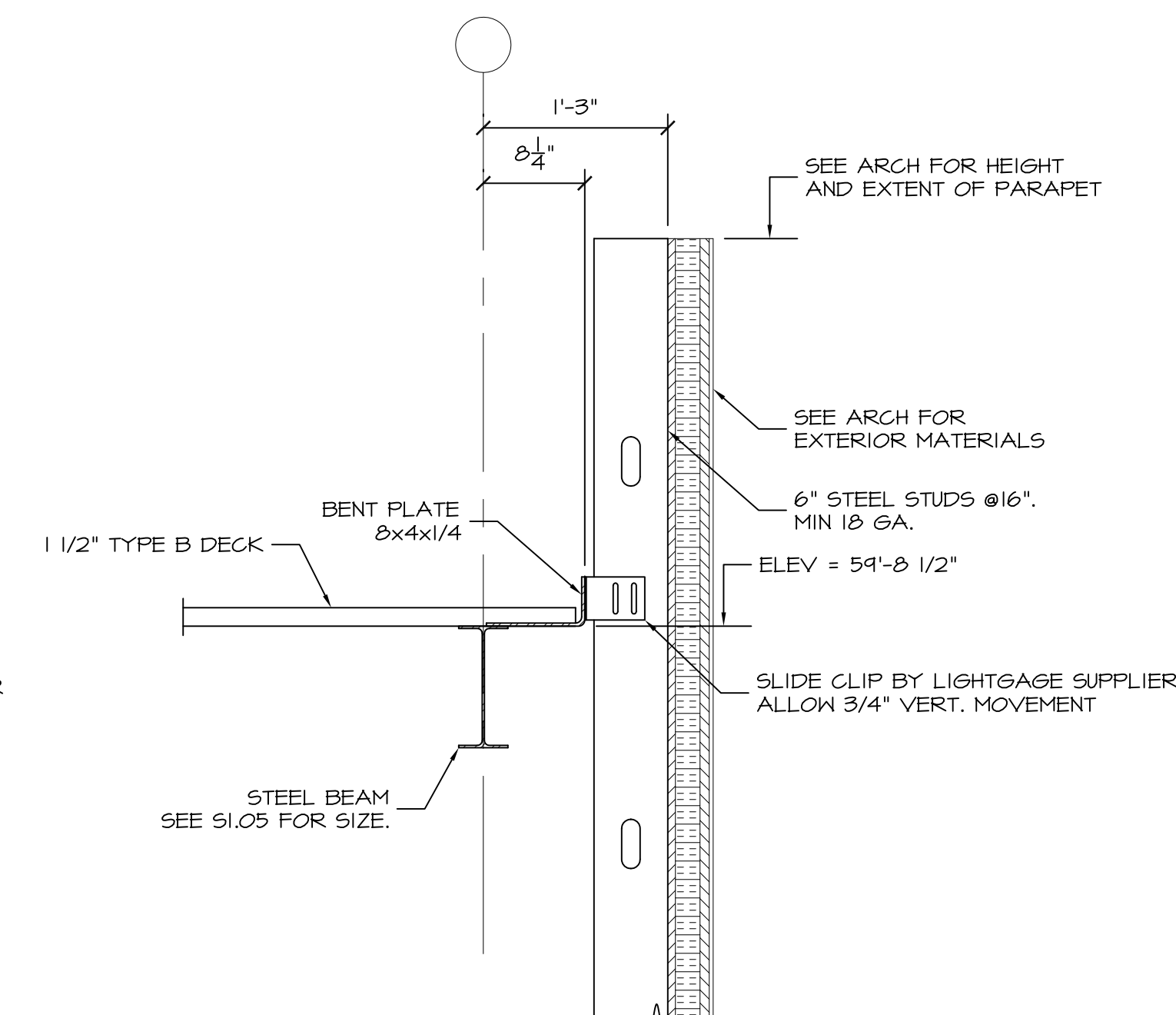
SECTION 6
1"=1'-0" S1.03

SEE S1.03 FOR LOCATIONS OF CANOPY SUPPORTS. EXTERIOR WALL NOT SHOWN FOR CLARITY. SEE SECTION 4.



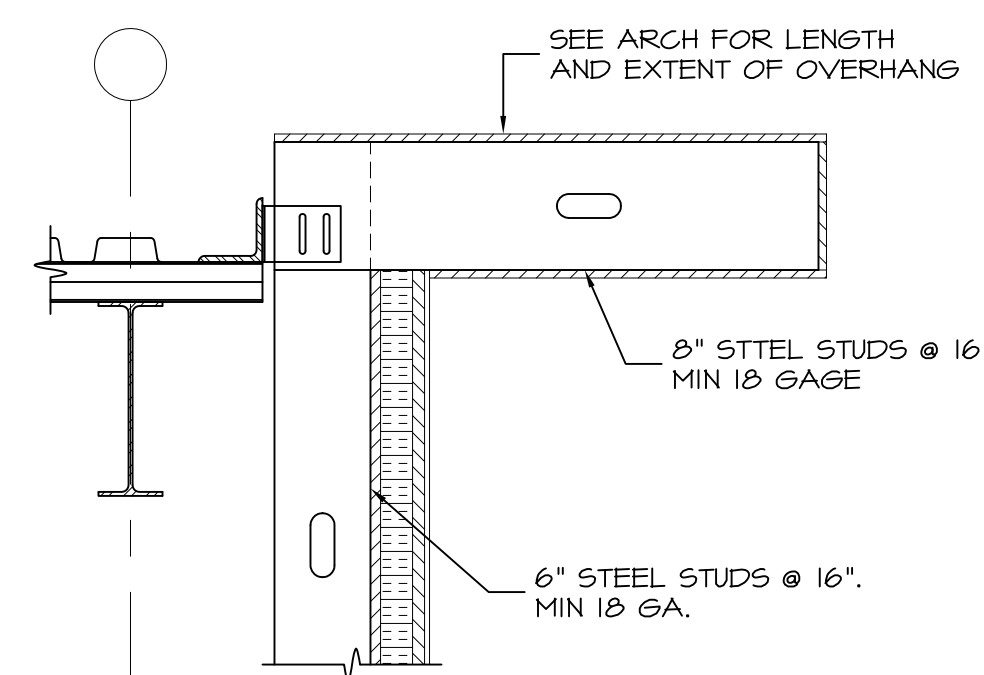
SECTION 7
1"=1'-0" S1.05

SECTION 7 AT OVERHANG
1"=1'-0"

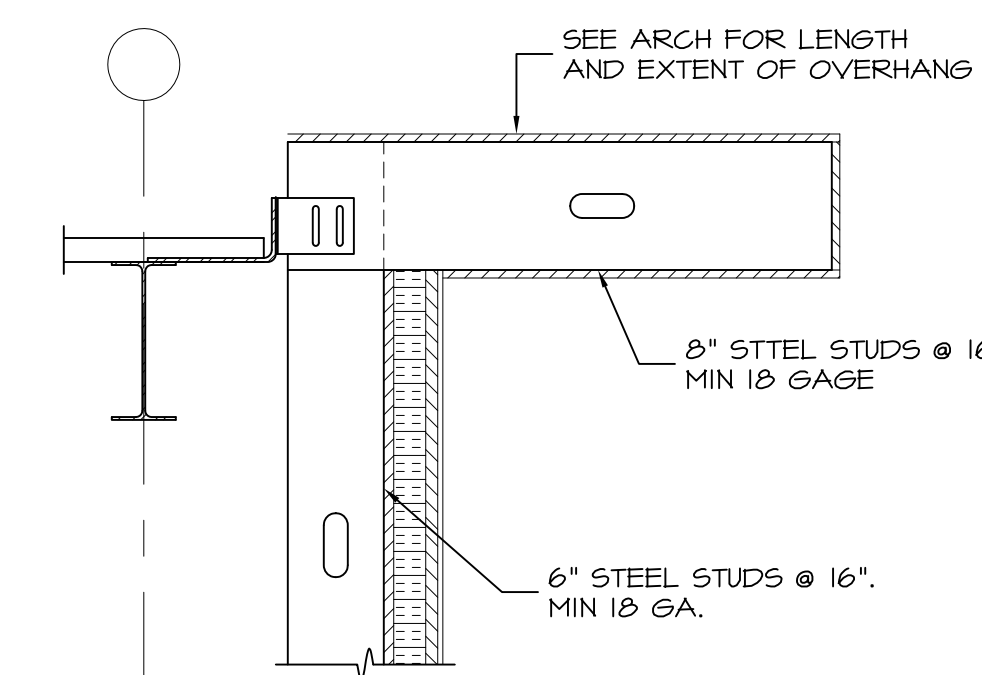


SECTION 8
1"=1'-0" S1.05

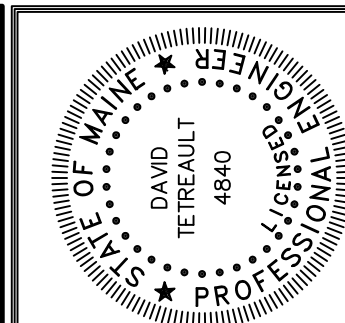
SECTION 8 AT OVERHANG
1"=1'-0"



SECTION 7 AT OVERHANG
1"=1'-0"



SECTION 8 AT OVERHANG
1"=1'-0"



Prepared For:
**PROPRIETORS
OF UNION WHARF**
36 Union Wharf
Portland, Maine 04101

Consulting Engineer:
**STRUCTURAL
DESIGN
CONSULTING**
2696 Lake Shore Road
Unit 130
Glenis, ME 04049
Tel 603.293.8038

Architect:
**ARCHETYPE
architects**
48 Union Wharf Portland, Maine 04101
(207) 772-6022 Fax (207) 772-4056

Project:
**WIDGERY WHARF
BUILDING 1**
19 Union Wharf
Portland, Maine

Revisions:
Issued for Construction 02/13/17

Scale:
As Noted
Date:
13 FEB 2017

FRAMING SECTIONS
S3.01