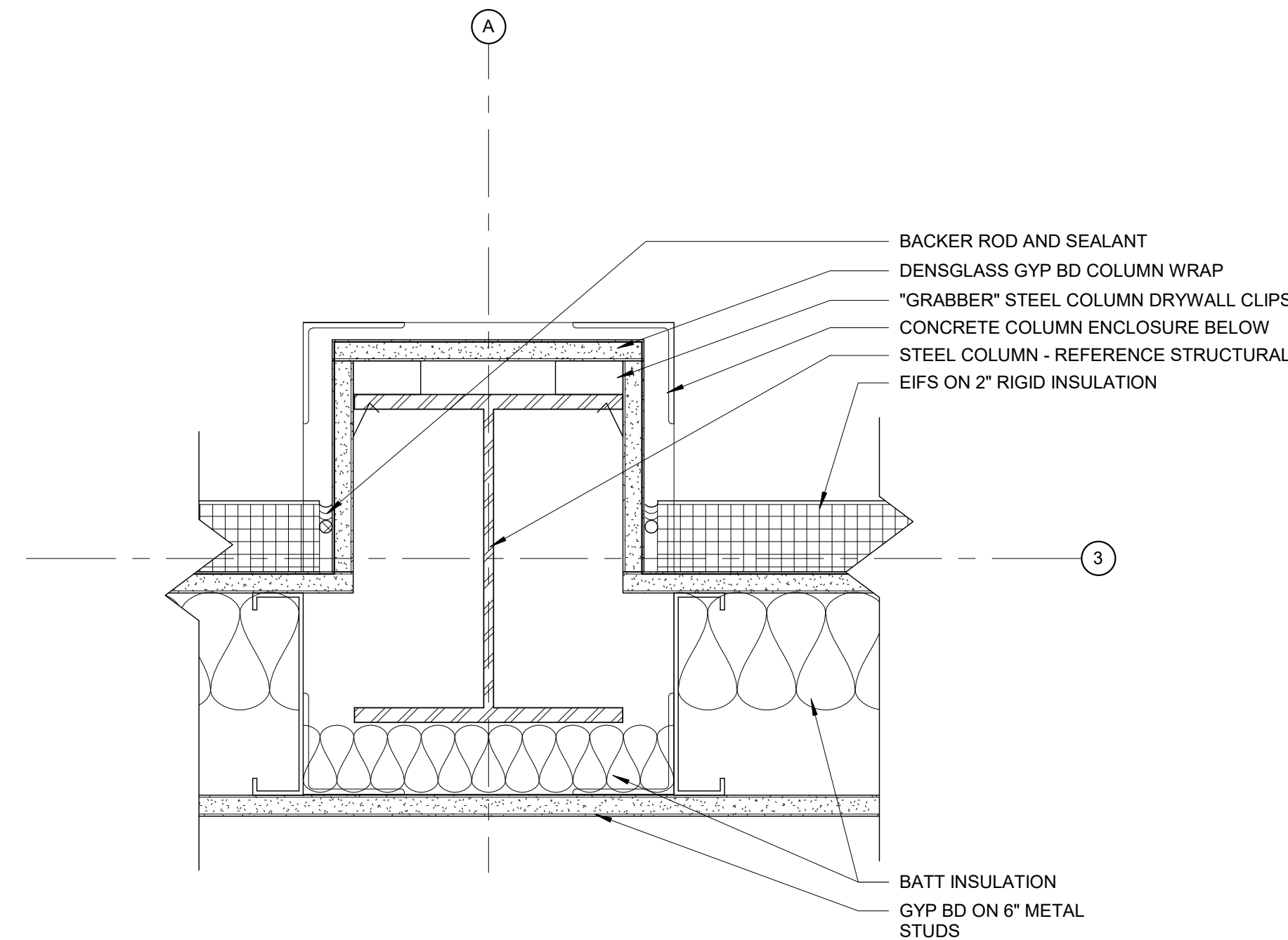
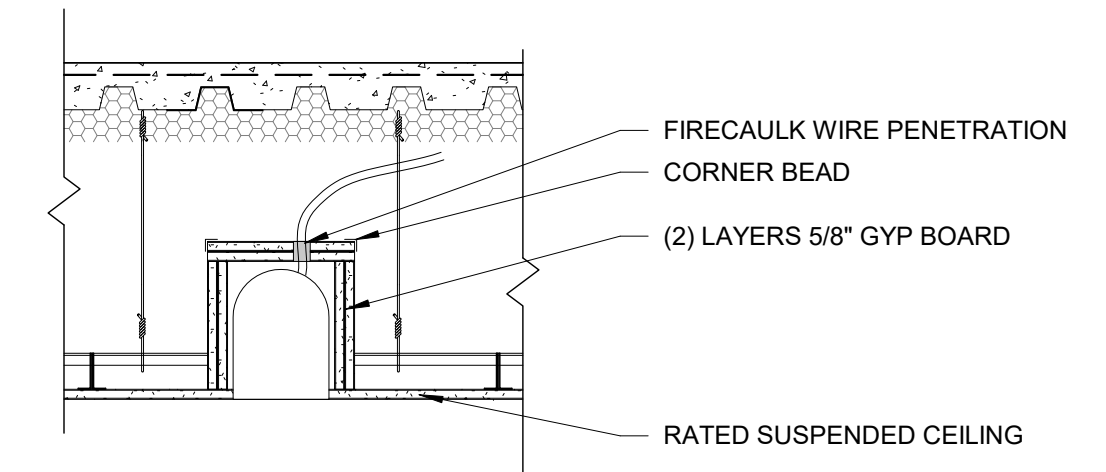


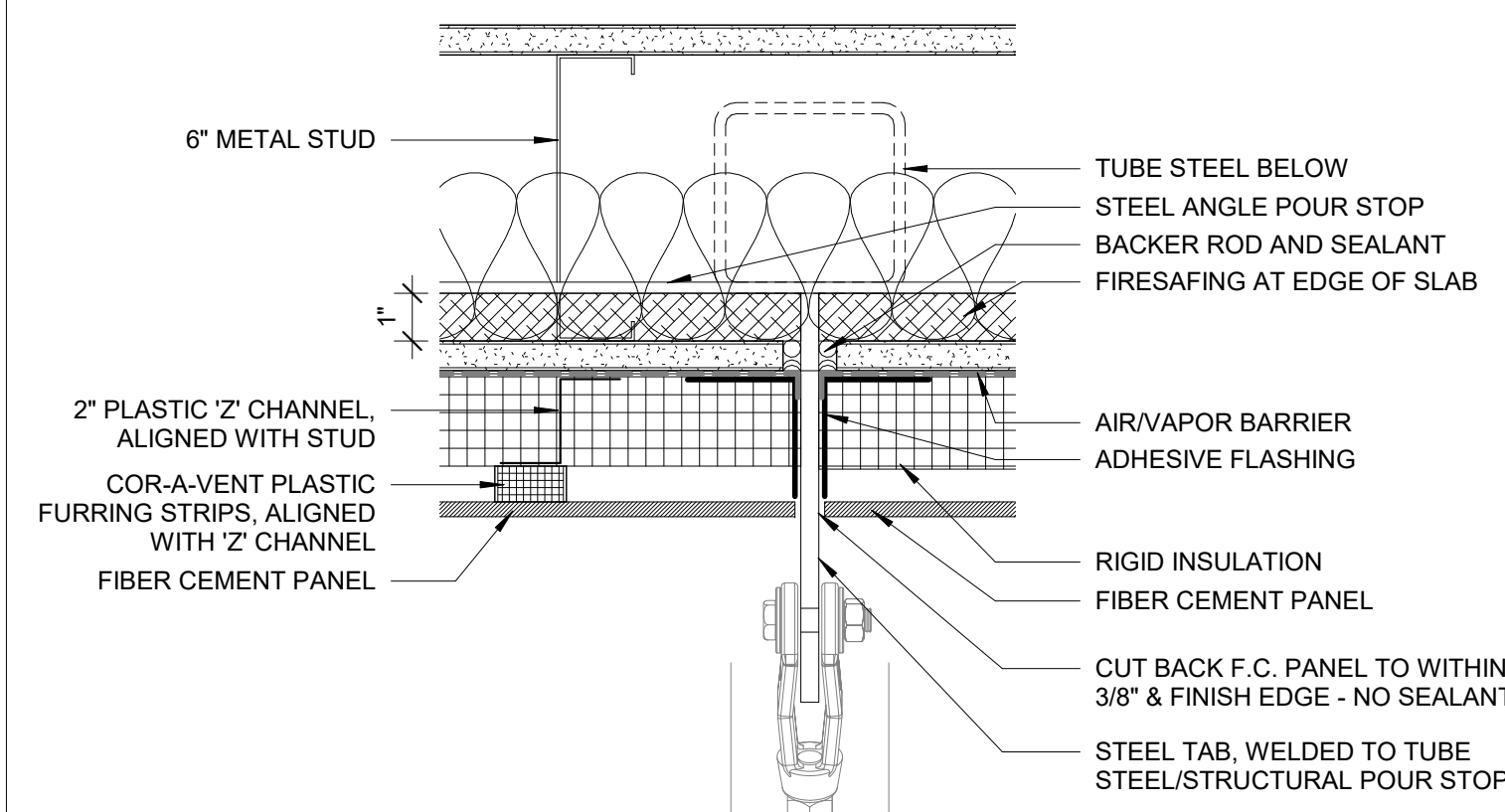
8 RECESSED F.E.C. CABINET DETAIL
3" = 1'-0"



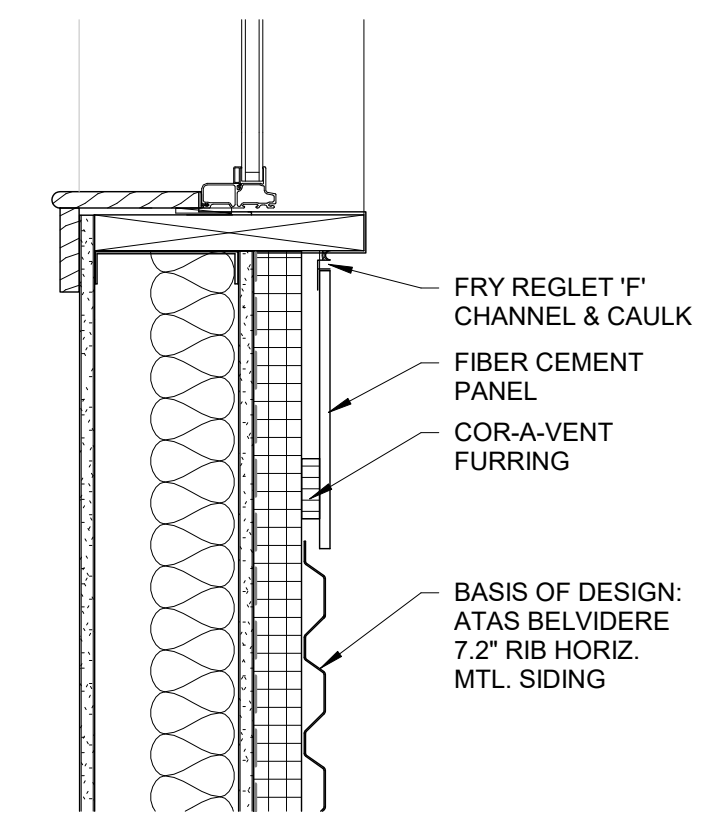
6 COLUMN WRAP DETAIL
3" = 1'-0"



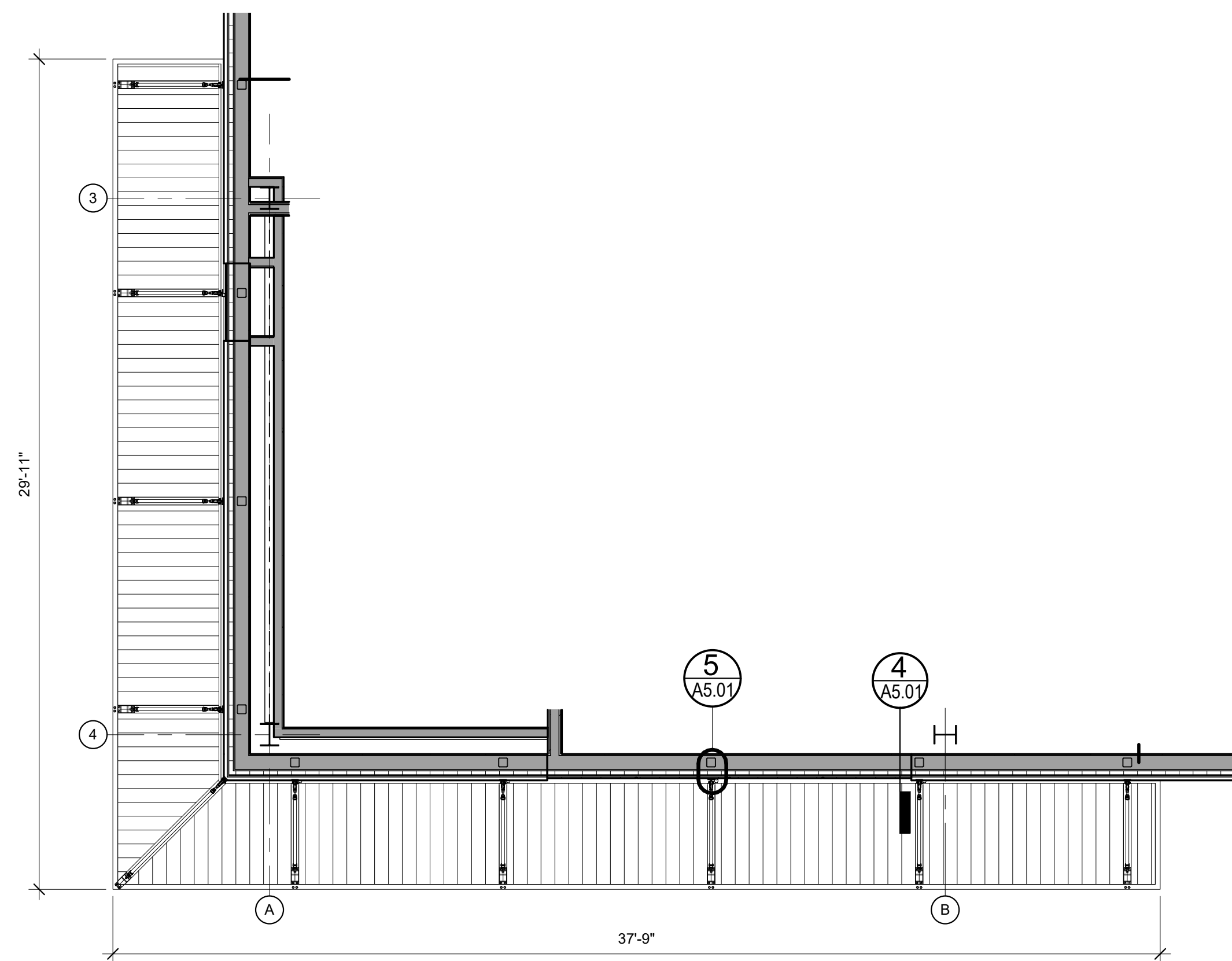
3 LIGHT RATING DETAIL
1" = 1'-0"



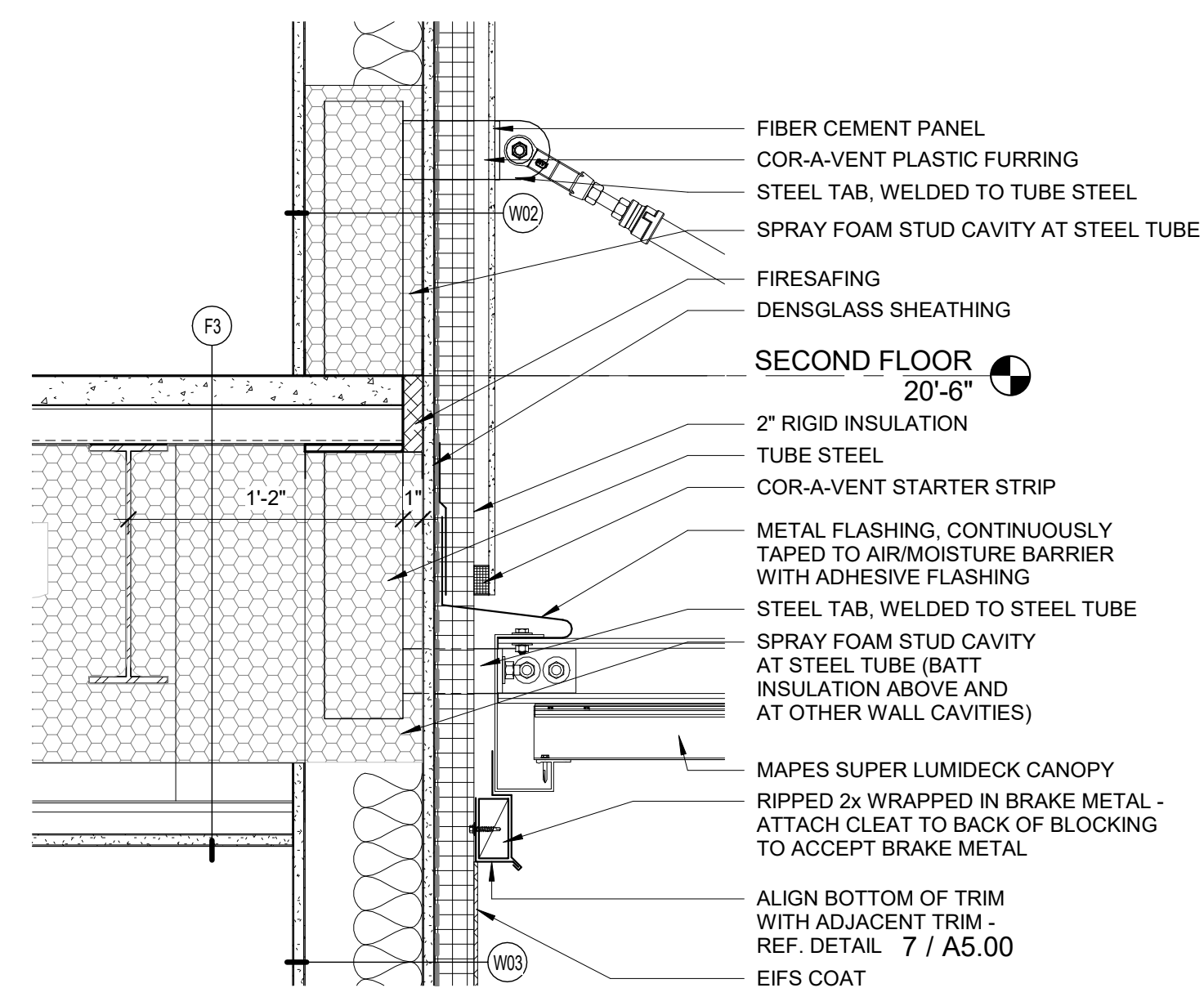
5 CANOPY SUPPORT PLAN DETAIL
3" = 1'-0"



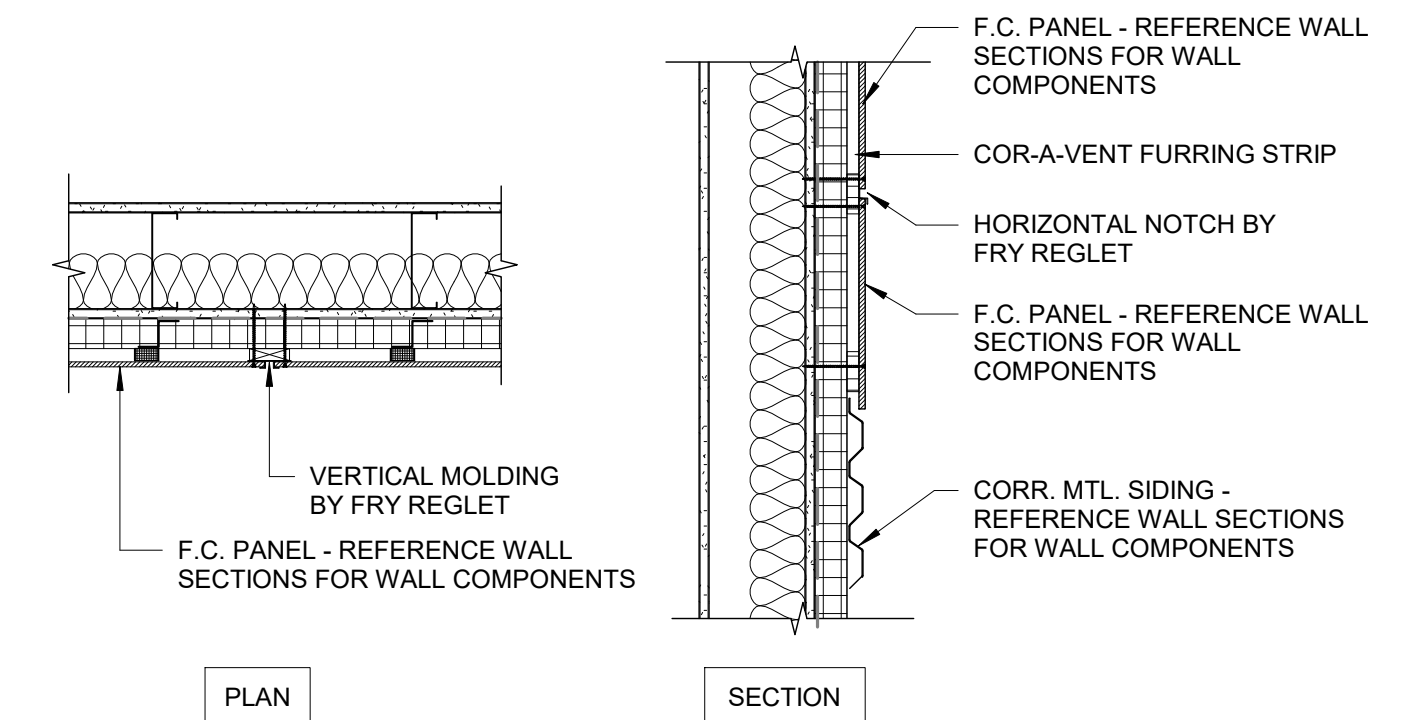
2 WALL DETAIL AT CORR. MTL./FIBER CEMENT
1 1/2" = 1'-0"



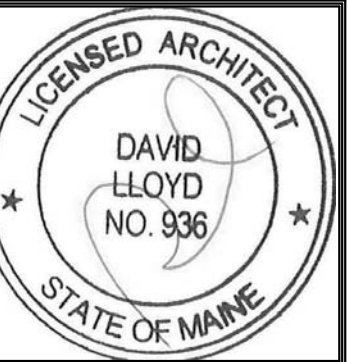
7 ENTRY CANOPY PLAN
1/4" = 1'-0"



4 DETAIL AT SECOND FLOOR/CANOPY MOUNT
1 1/2" = 1'-0"



1 REVEAL DETAILS
1" = 1'-0"



Prepared For:
**Proprietors of
Union Wharf**

Consultant:

Architect:
**ARCHETYPE
architects**
48 Union Wharf Portland, Maine 04101
(207) 772-6022 ARCHETYPE@ARCHETYPEPA.COM

Project:
WIDGERY WHARF

Widgery Wharf
Portland, ME

Revisions:

Scale:
As indicated

Date:
17 FEB. 2017

EXTERIOR DETAILS

A5.01