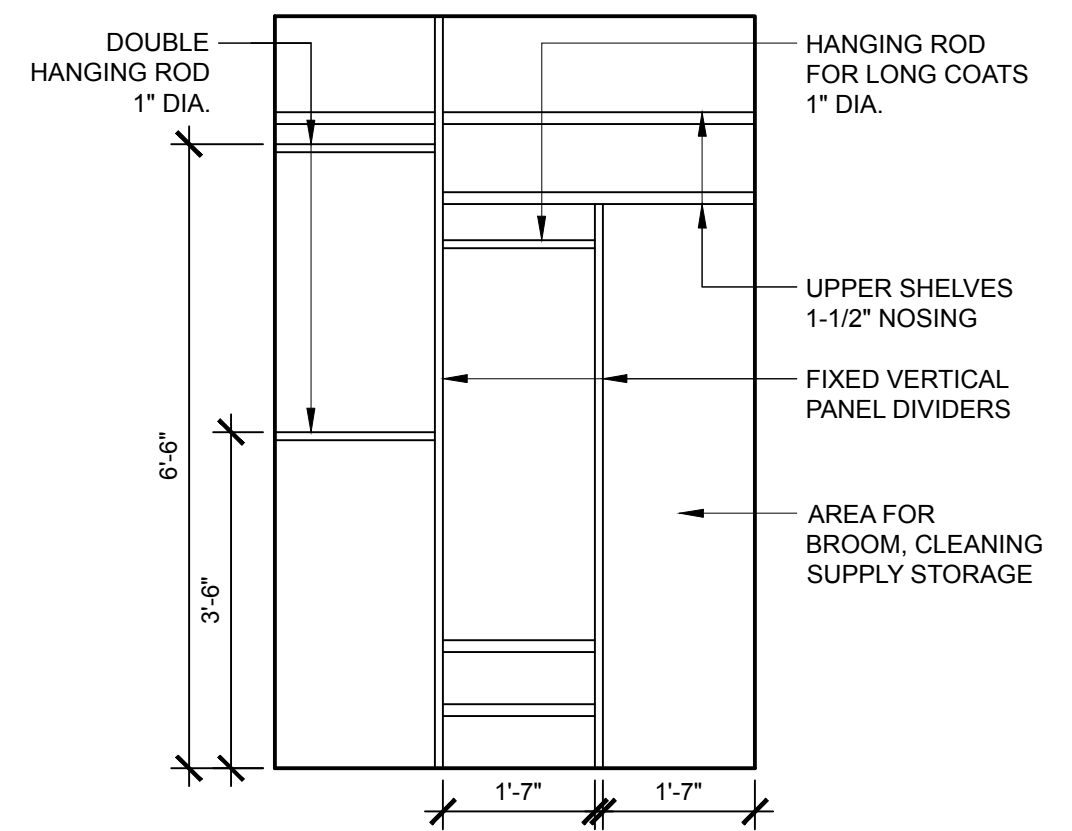
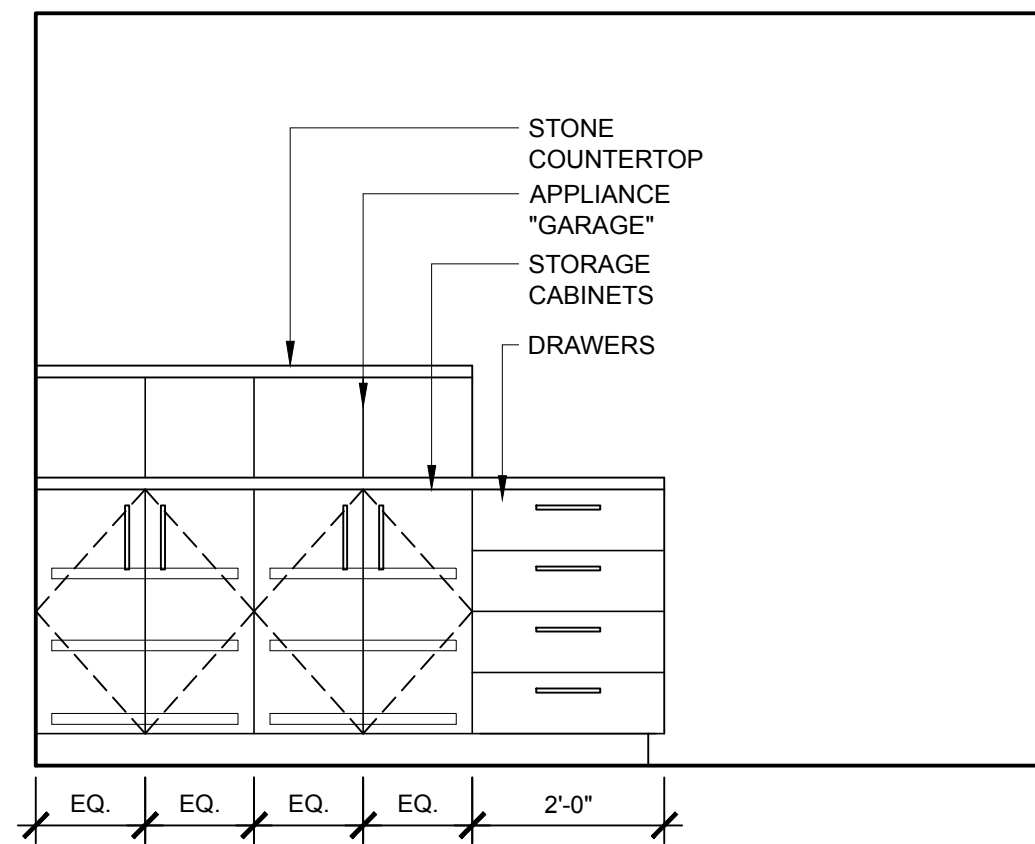


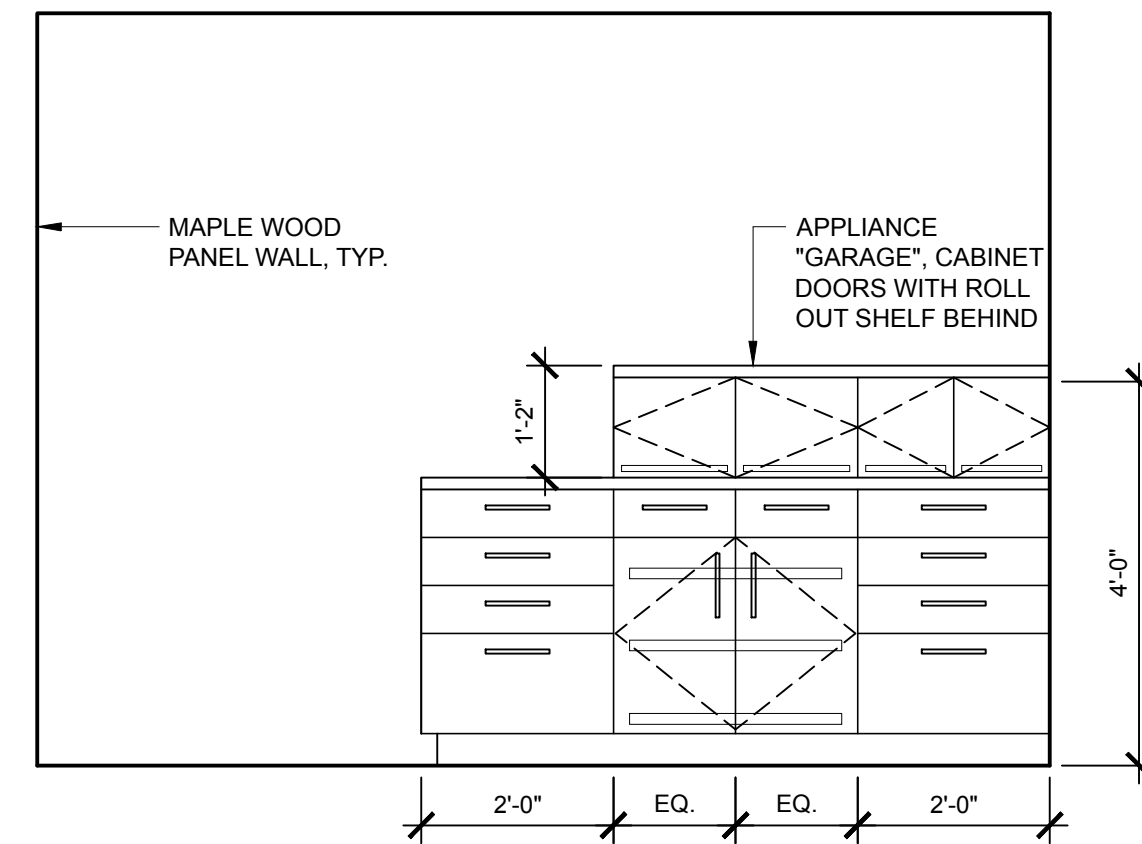
1 KITCHEN/DINING/LIVING: INTERIOR ELEVATION
SCALE: 1/2" = 1'-0"



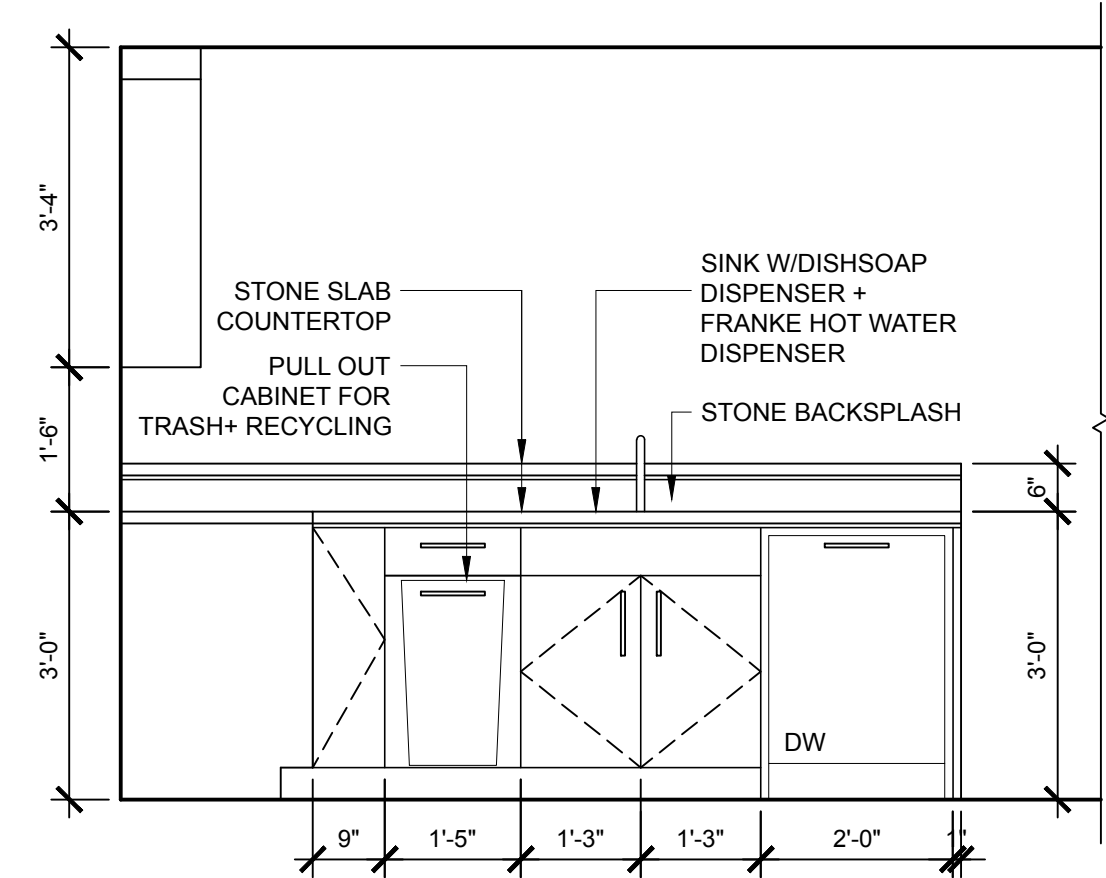
9 ENTRY CLOSET
SCALE: 1/2" = 1'-0"



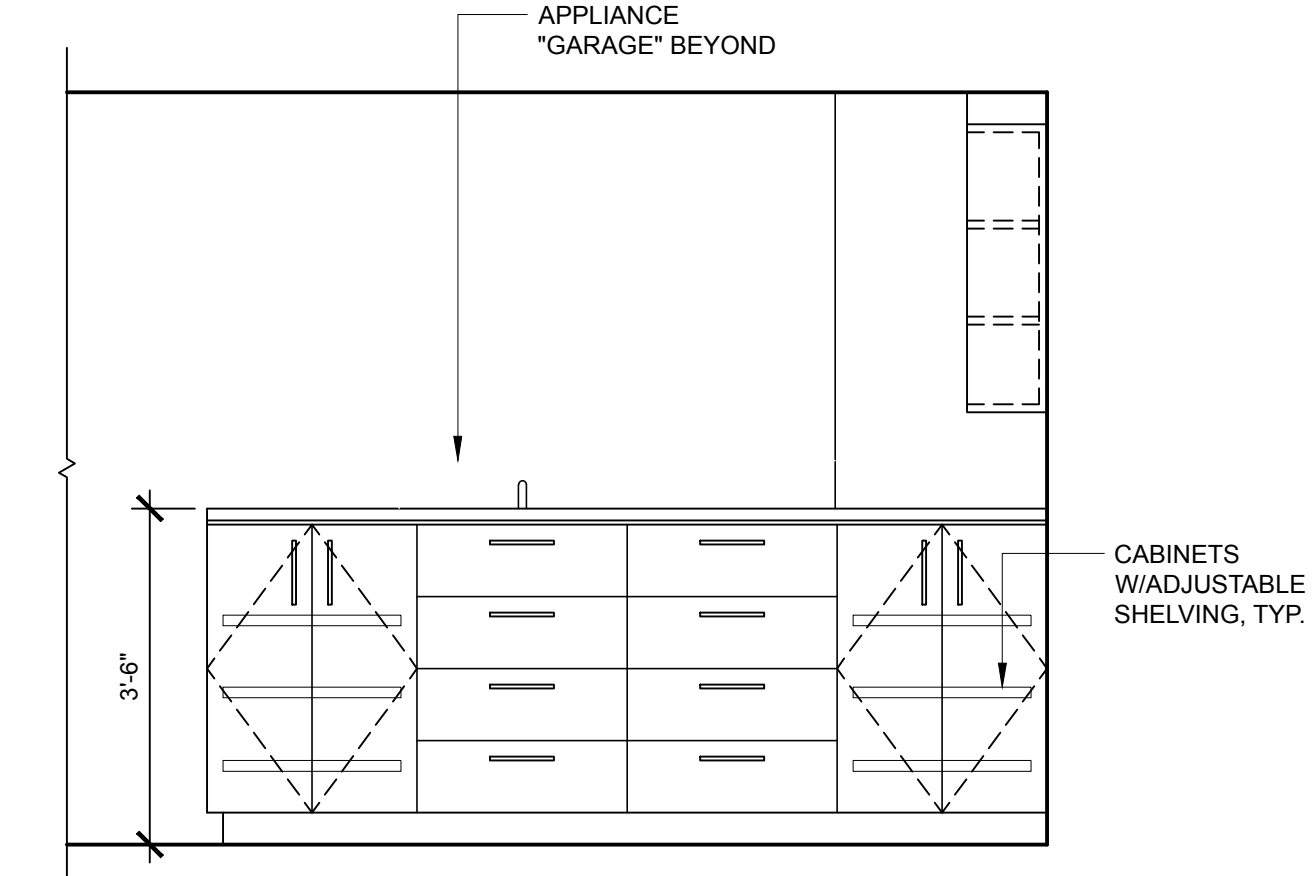
2 LOOKING FROM ENTRY
SCALE: 1/2" = 1'-0"



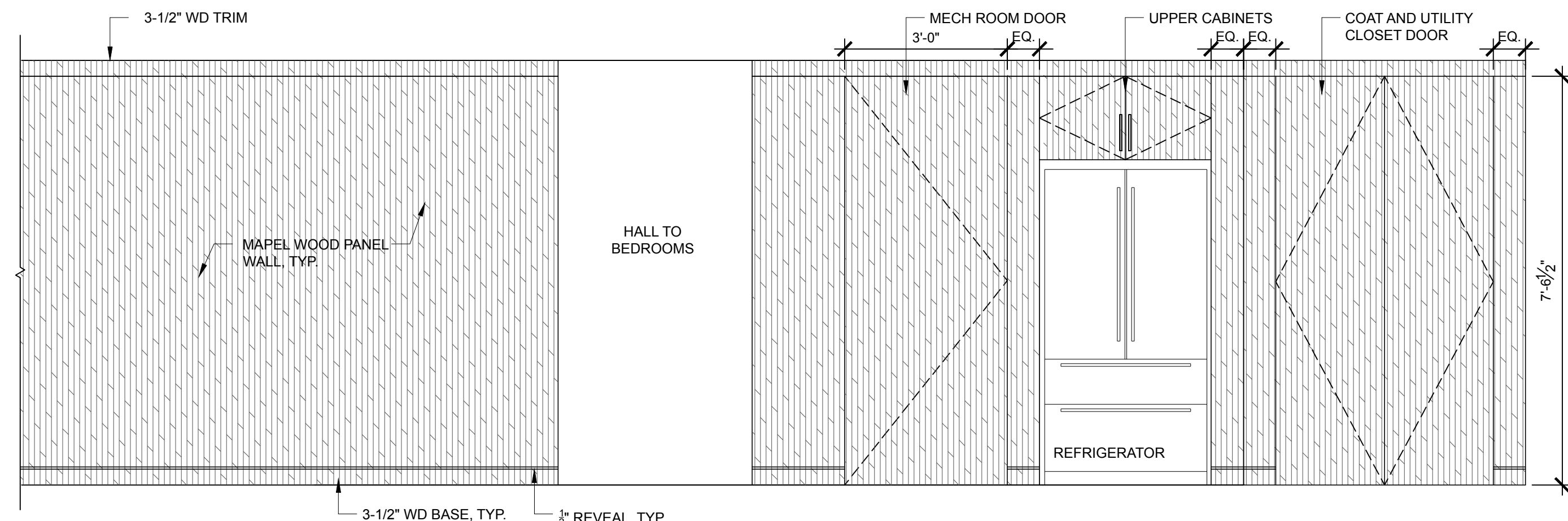
3 LOOKING TO ENTRY
SCALE: 1/2" = 1'-0"



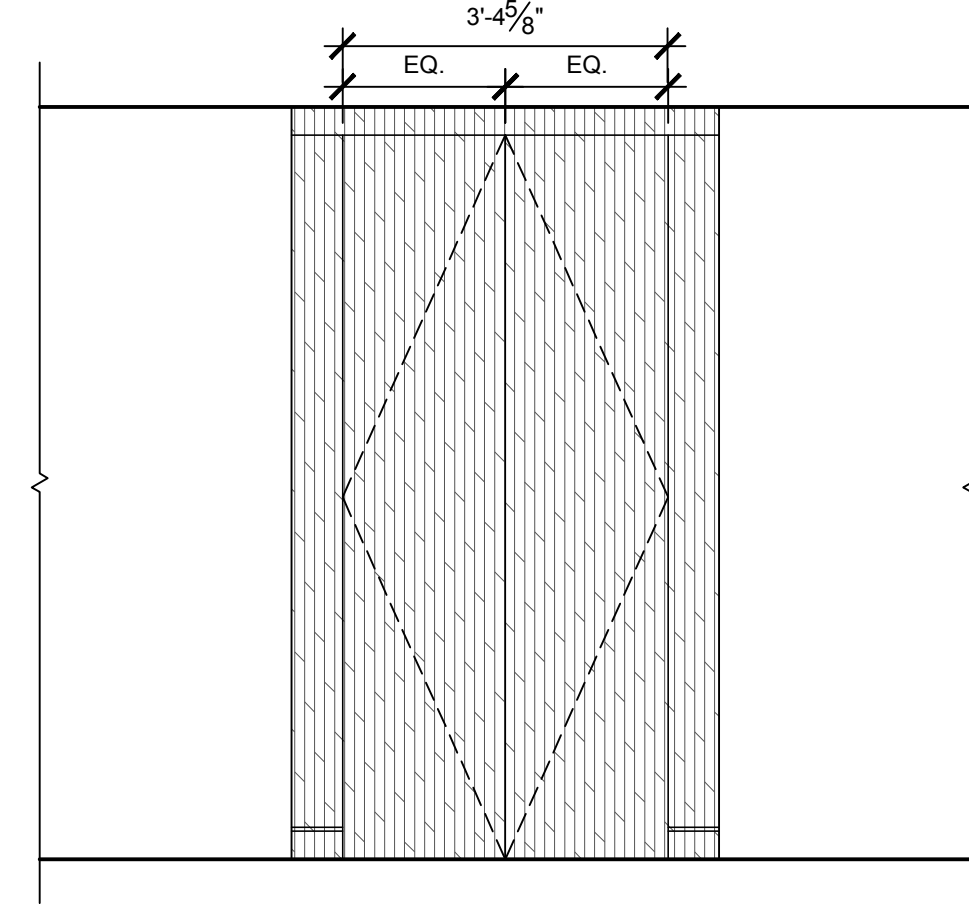
4 LOOKING TO LIVING ROOM
SCALE: 1/2" = 1'-0"



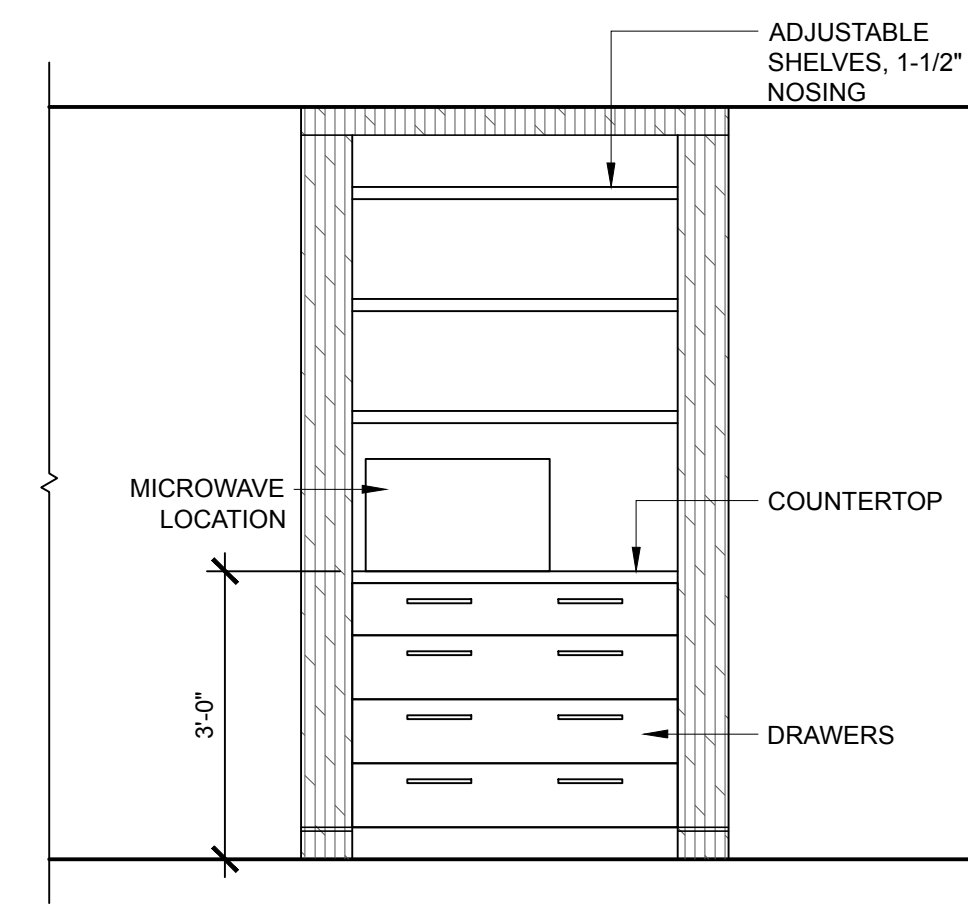
5 MILLWORK FACING DINING AREA
SCALE: 1/2" = 1'-0"



6 WOOD PANEL WALL
SCALE: 1/2" = 1'-0"



7 PANTRY: EXTERIOR ELEVATION
SCALE: 1/2" = 1'-0"



8 PANTRY: INTERIOR ELEVATION
SCALE: 1/2" = 1'-0"

PROJECT NAME:
YAMARTINO/SCLAR
APT: CW507
RENOVATIONS
CHANDLER'S WHARF
PORTLAND, MAINE 04101

SEAL:

THIS DRAWING IS THE PROPERTY OF SCOTT SIMONS ARCHITECTS (SSA) AND IS NOT TO BE COPIED OR REPRODUCED IN PART OR WHOLE. 2017 © SCOTT SIMONS ARCHITECTS, LLC.

REVISION:	DATE
1	DATE
2	DATE
3	DATE
4	DATE
5	DATE
6	DATE

DATE OF ISSUE: NOVEMBER 17, 2017
PROJECT NUMBER: 2016-0200
STATUS: ISSUED FOR PRICING

INTERIOR ELEVATIONS

A201