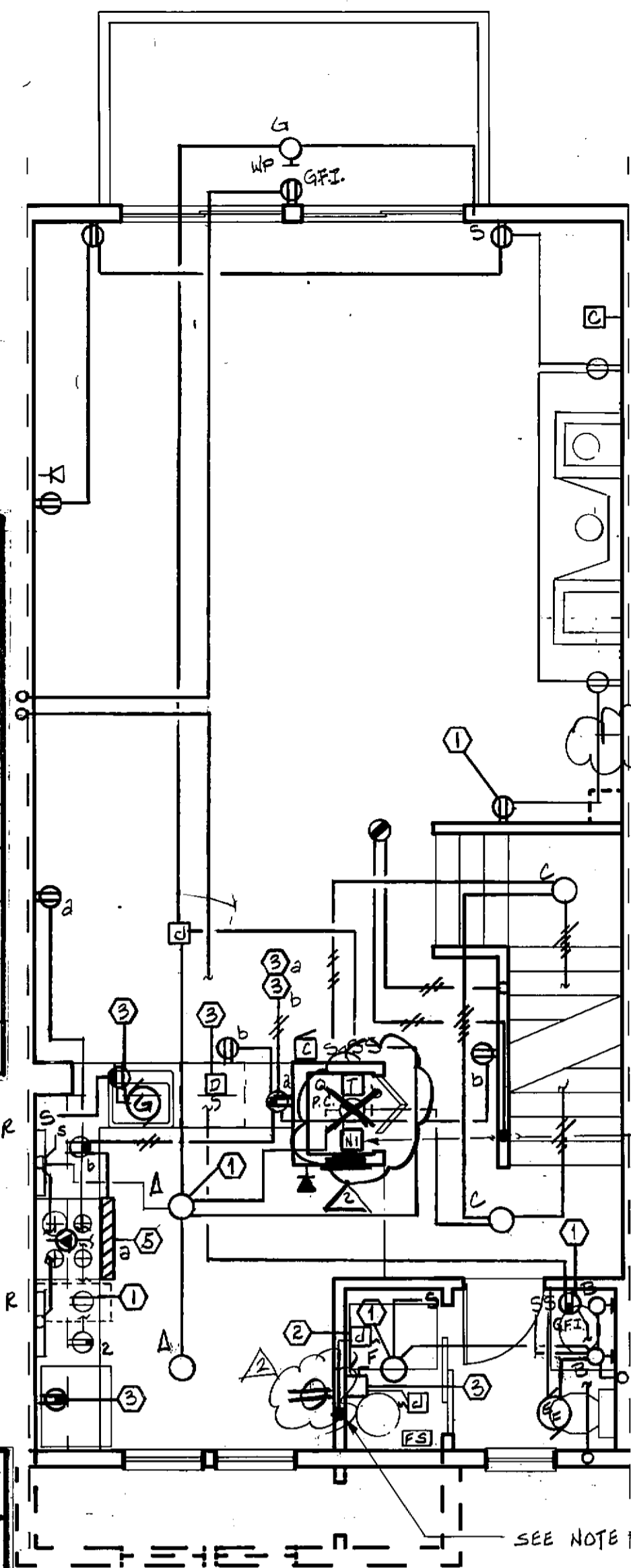


TYPICAL UNIT 'D'

APARTMENT HOMERUN KEY AND LOAD CENTER SCHEDULE			
QUAN.	CIRCUIT BREAKER SIZE	HOMERUN DESIGN.	CABLE
9	15A/1P	①	2/C #14 W/GRD
1	40A/2P	②	2/C #10 W/GRD
7	20A/1P	③	2/C #12 W/GRD
1	30A/2P	④	3/C #10 W/GRD
1	50A/2P	⑤	3/C # 6 W/GRD
20A/1P SPARES: 1 1P SPACES: 4 TOTAL POLES: 24			

D UNIT PLAN
Second Floor



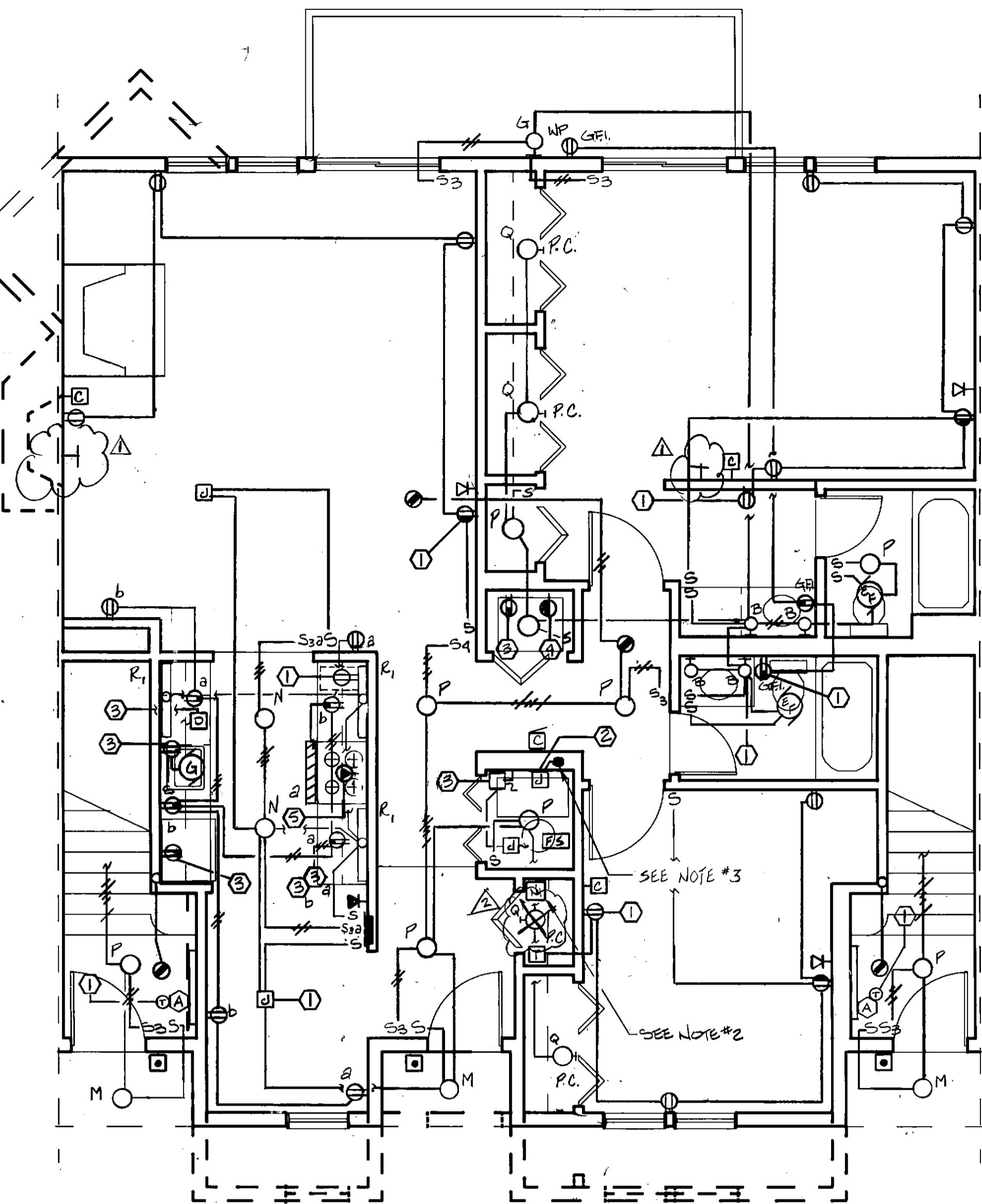
TYPICAL UNIT 'B'

APARTMENT HOMERUN KEY AND LOAD CENTER SCHEDULE			
QUAN.	CIRCUIT BREAKER SIZE	HOMERUN DESIGN.	CABLE
10	15A/1P	①	2/C #14 W/GRD
1	50A/2P	②	2/C # 8 W/GRD
7	20A/1P	③	2/C #12 W/GRD
1	30A/2P	④	3/C #10 W/GRD
1	50A/2P	⑤	3/C # 6 W/GRD
20A/1P SPARES: 1 1P SPACES: 6 TOTAL POLES: 30			

D UNIT PLAN
FIRST FLOOR

NOTE:
SYMBOL REPRESENTS
TV OUTLET

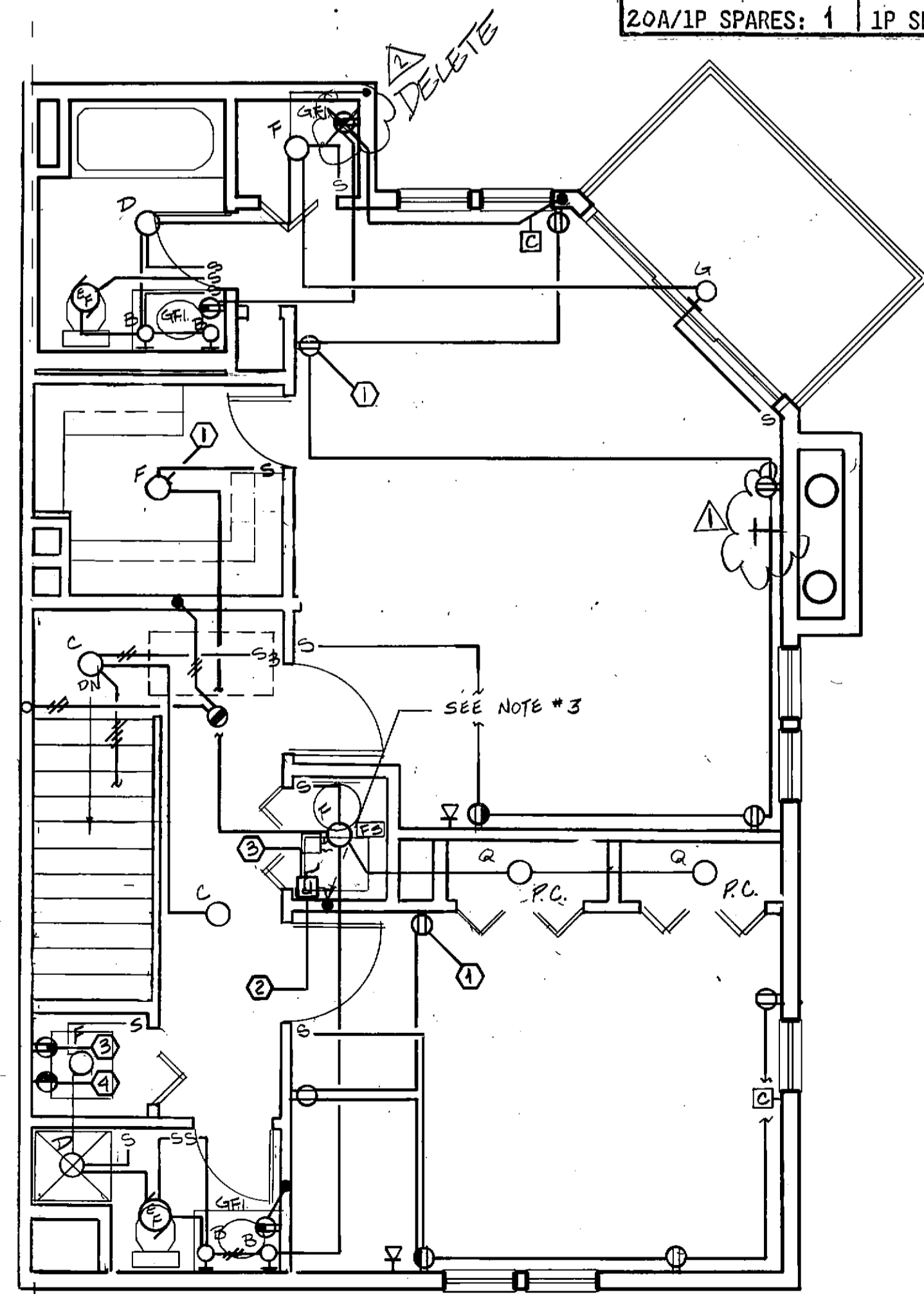
- Notes:
- REFER TO DWG. E-3 FOR TYPICAL POOR CHIME WIRING DIAGRAM.
 - REFER TO DWG. E-3 FOR TYPICAL UNIT TELEPHONE WIRING DIAGRAM.
 - E.C. SHALL FURNISH AND INSTALL T.C. WITH PULL CORD FROM EACH UNIT'S UTILITY CLOSET DOWN TO THE PARKING LEVEL. (PROVISION FOR OPTIONAL A/C COMP.)
 - E.C. SHALL NOT LOCATE ANY EQUIPMENT J-BOXES, RECEPT, TEL, ETC. IN THE SAME STUD SPACE AT PARTY WALLS.



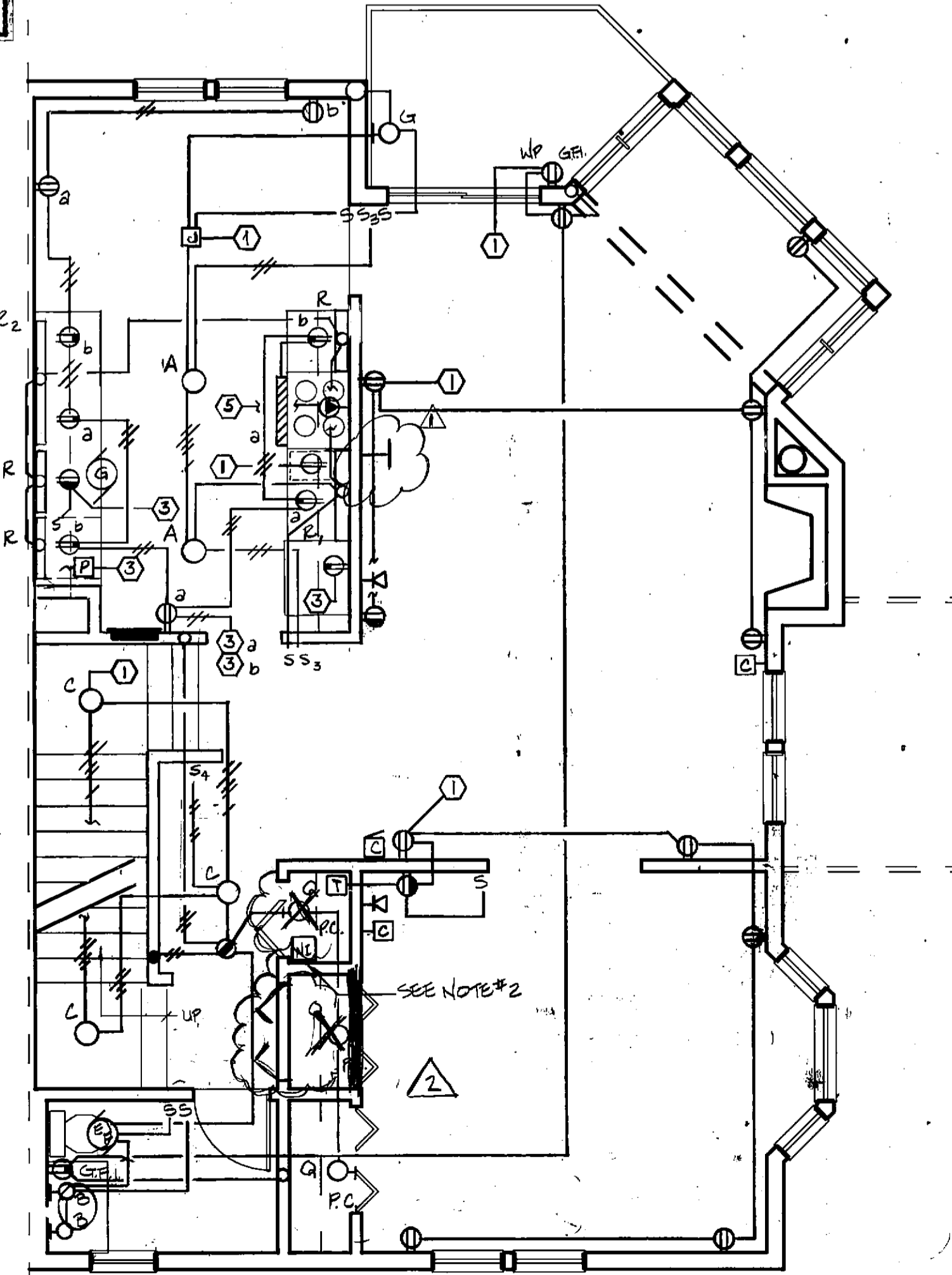
TYPICAL UNIT 'C'

APARTMENT HOMERUN KEY AND LOAD CENTER SCHEDULE			
QUAN.	CIRCUIT BREAKER SIZE	HOMERUN DESIGN.	CABLE
7	15A/1P	①	2/C #14 W/GRD
1	40A/2P	②	2/C #10 W/GRD
7	20A/1P	③	2/C #12 W/GRD
1	30A/2P	④	3/C #10 W/GRD
1	50A/2P	⑤	3/C # 6 W/GRD
20A/1P SPARES: 2 1P SPACES: 4 TOTAL POLES: 24			

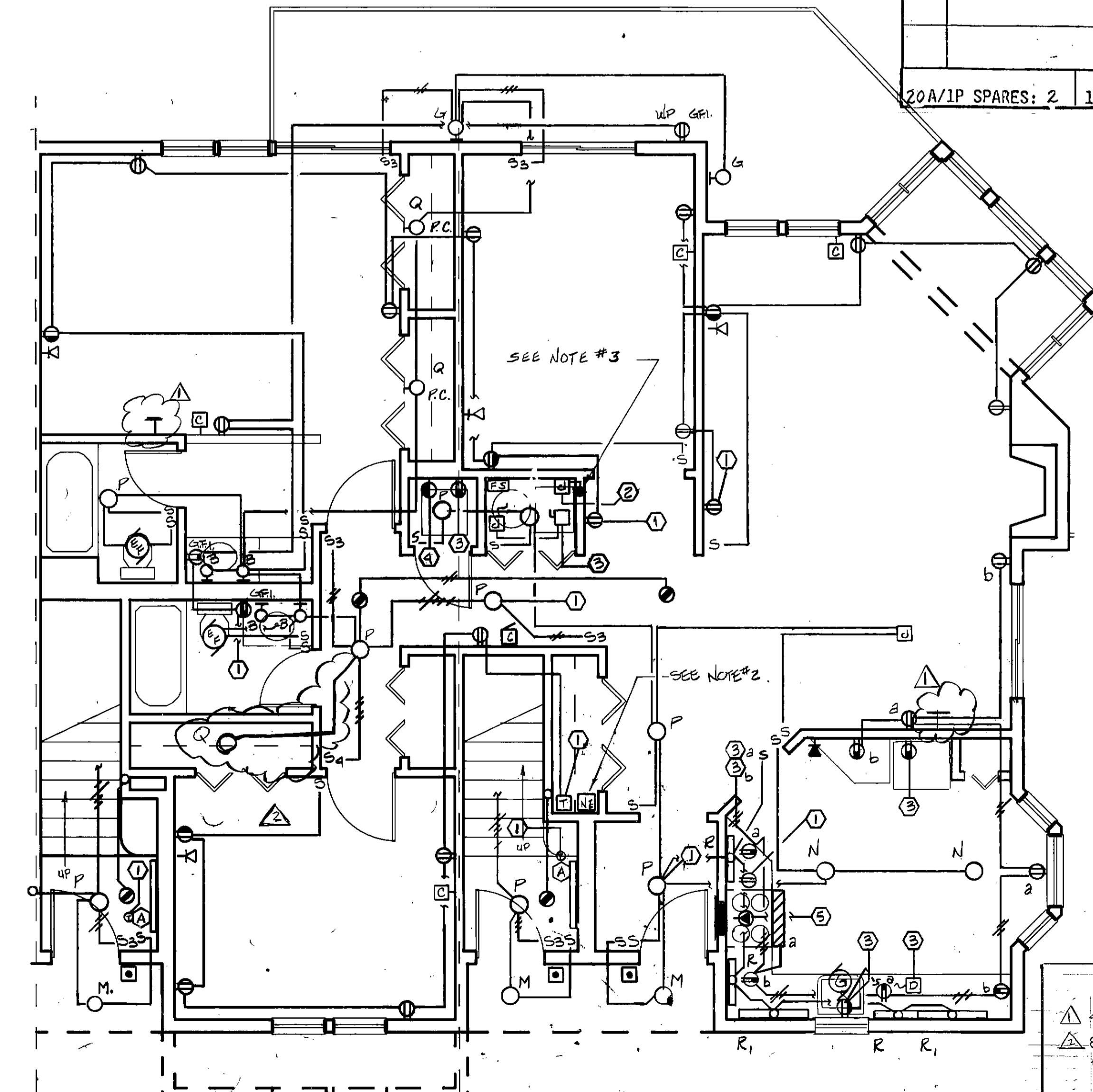
C UNIT PLAN



B UNIT PLAN
SECOND FLOOR



B UNIT PLAN
FIRST FLOOR



TYPICAL UNIT 'A'

APARTMENT HOMERUN KEY AND LOAD CENTER SCHEDULE			
QUAN.	CIRCUIT BREAKER SIZE	HOMERUN DESIGN.	CABLE
7	15A/1P	①	2/C #14 W/GRD
1	50A/2P	②	2/C # 8 W/GRD
7	20A/1P	③	2/C #12 W/GRD
1	30A/2P	④	3/C #10 W/GRD
1	50A/2P	⑤	3/C # 6 W/GRD
20A/1P SPARES: 2 1P SPACES: 2 TOTAL POLES: 24			

A UNIT PLAN

- REVISIONS
- A-1000 ADD TV OUTLETS
 - B-4-86 change of fixtures Add Recept in D unit

ELECTRICAL
TYPICAL UNIT PLANS

Date: 30 SEP 1985

Revisions

Drawn By: JD
Checked By: JFS

Childs Bertram Teasdale & Casandino Inc.
390 Devonport Street, Boston, Mass. 02116 Tel: 617-262-2554
Architectural, Landscape Architectural, Neighborhood Planning, Interior Design

VINCENT A. DI IORIO, INC.
CONSULTING ELECTRICAL ENGINEERS
116 SOUTH STREET, BOSTON, MA., 02111
617-542-5230

CHANDLER'S WHARF
CENTRAL WHARF PORTLAND, ME.

Job No. B 8224.0

E4