

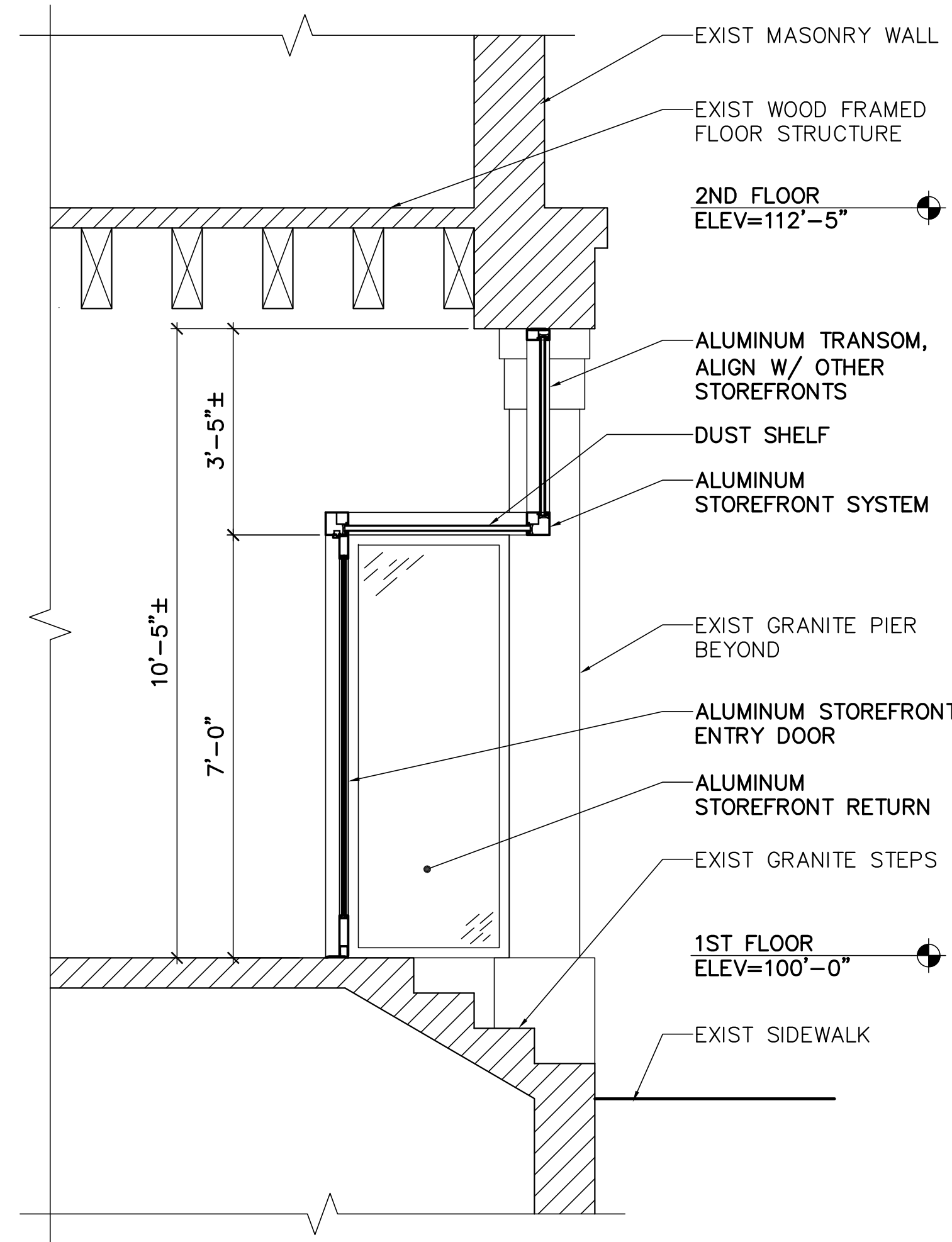
DESIGNED BY: GLH
DRAWN BY: CRR
CHECKED BY: GLH
PROJECT: 21504.32

CARROLL BLOCK LLC
P.O. BOX 7626
PORTLAND, ME 04101

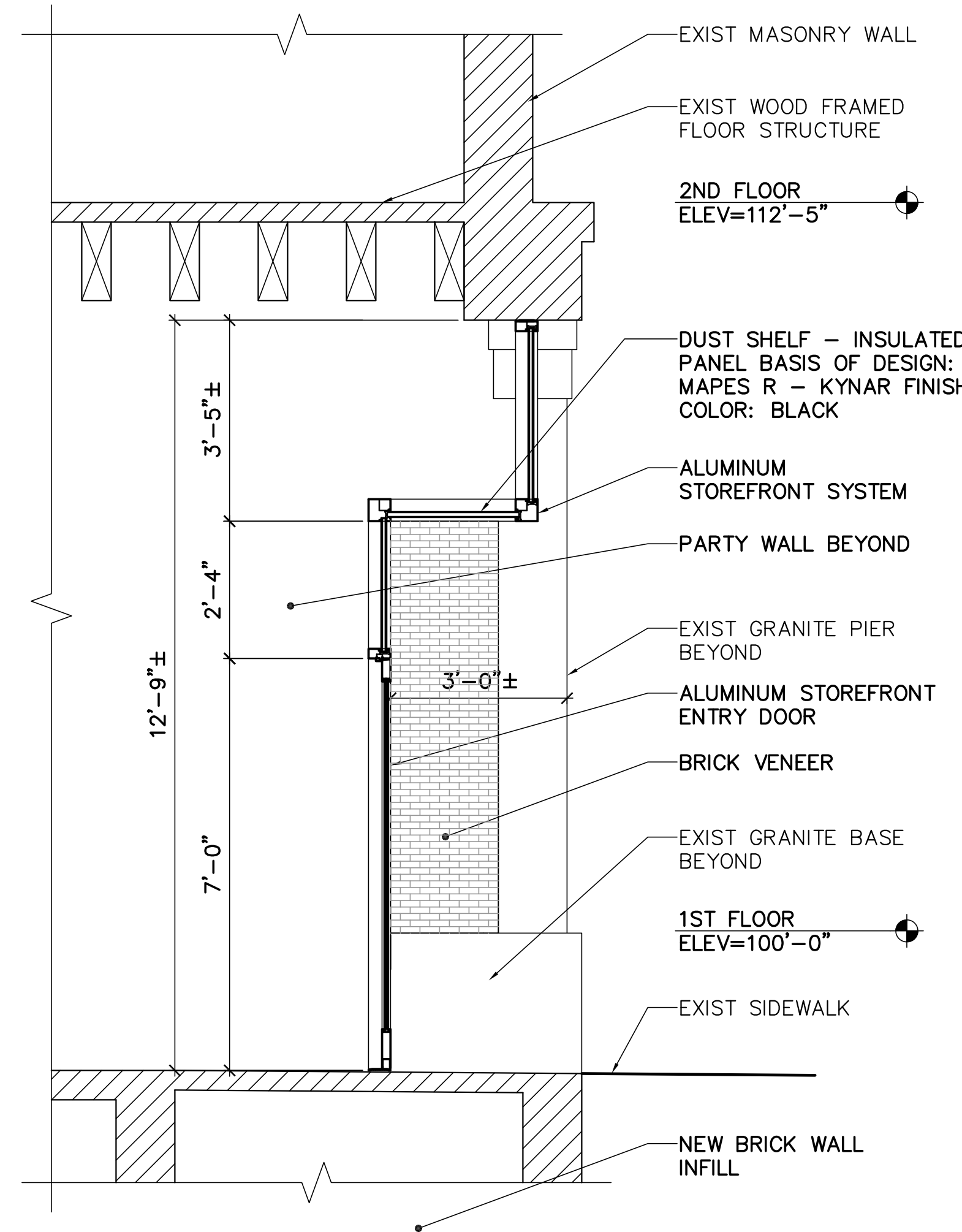
RENOVATION TO
CARROLL BLOCK
136 Commercial Street - Portland, Maine

WALL SECTIONS
AND
DETAILS

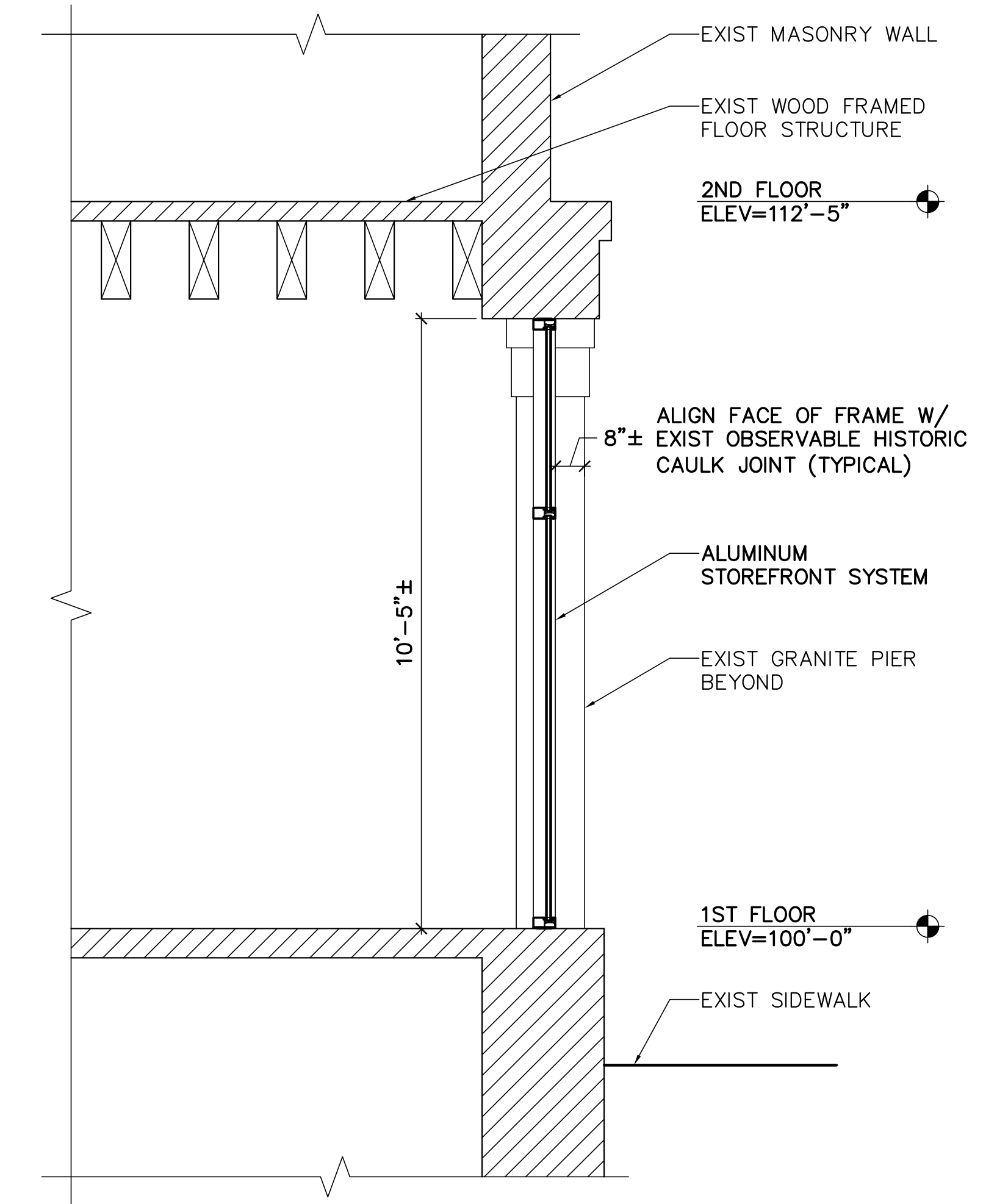
SCALE: AS NOTED
DATE: 29 APRIL 2016
DWG.: AE103
SHEET: 3 OF 3



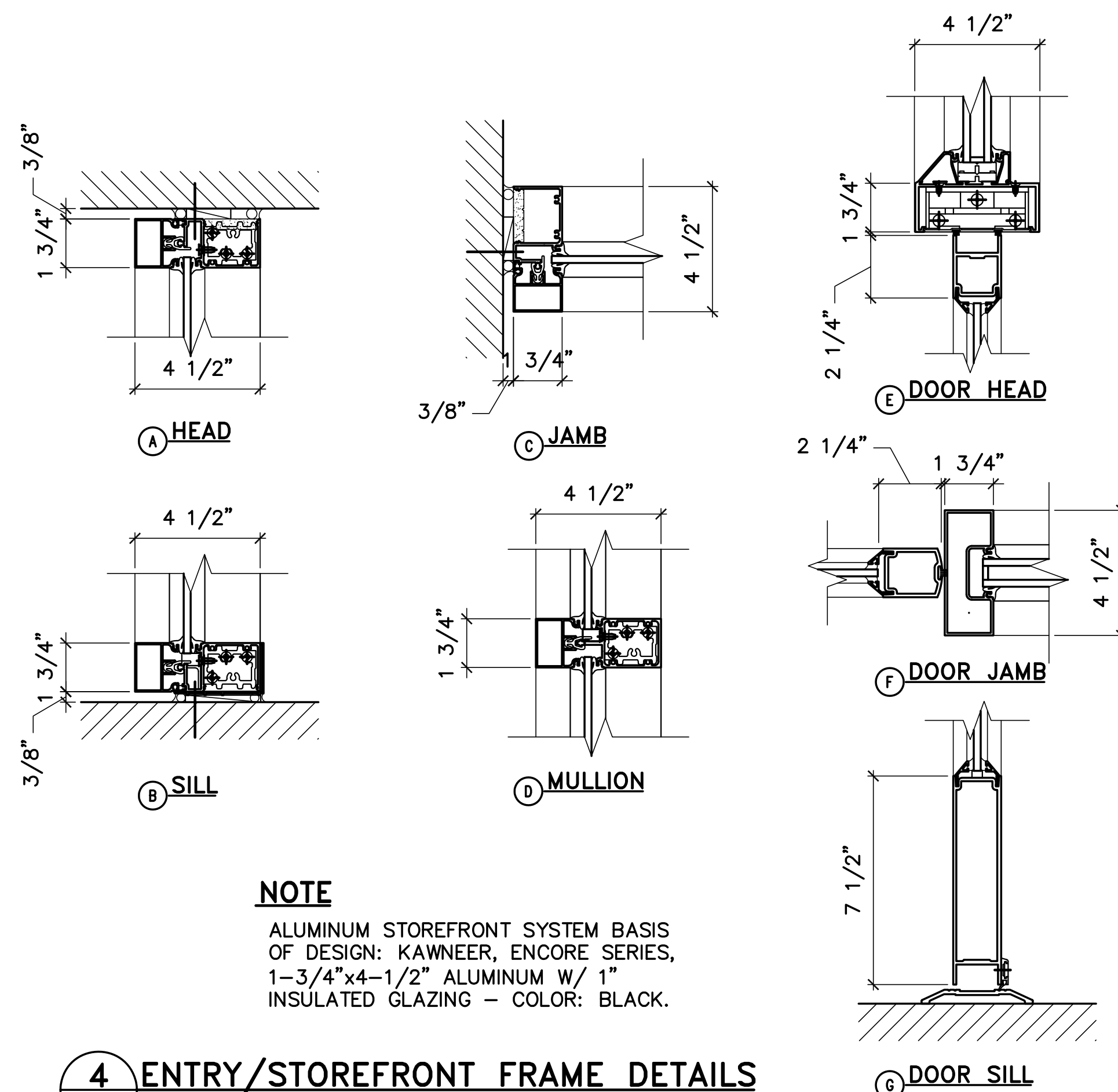
1 WALL SECTION
AE101, AE102, AE103 SCALE: 1/2"=1'-0"



2 WALL SECTION
AE101, AE102, AE103 SCALE: 1/2"=1'-0"

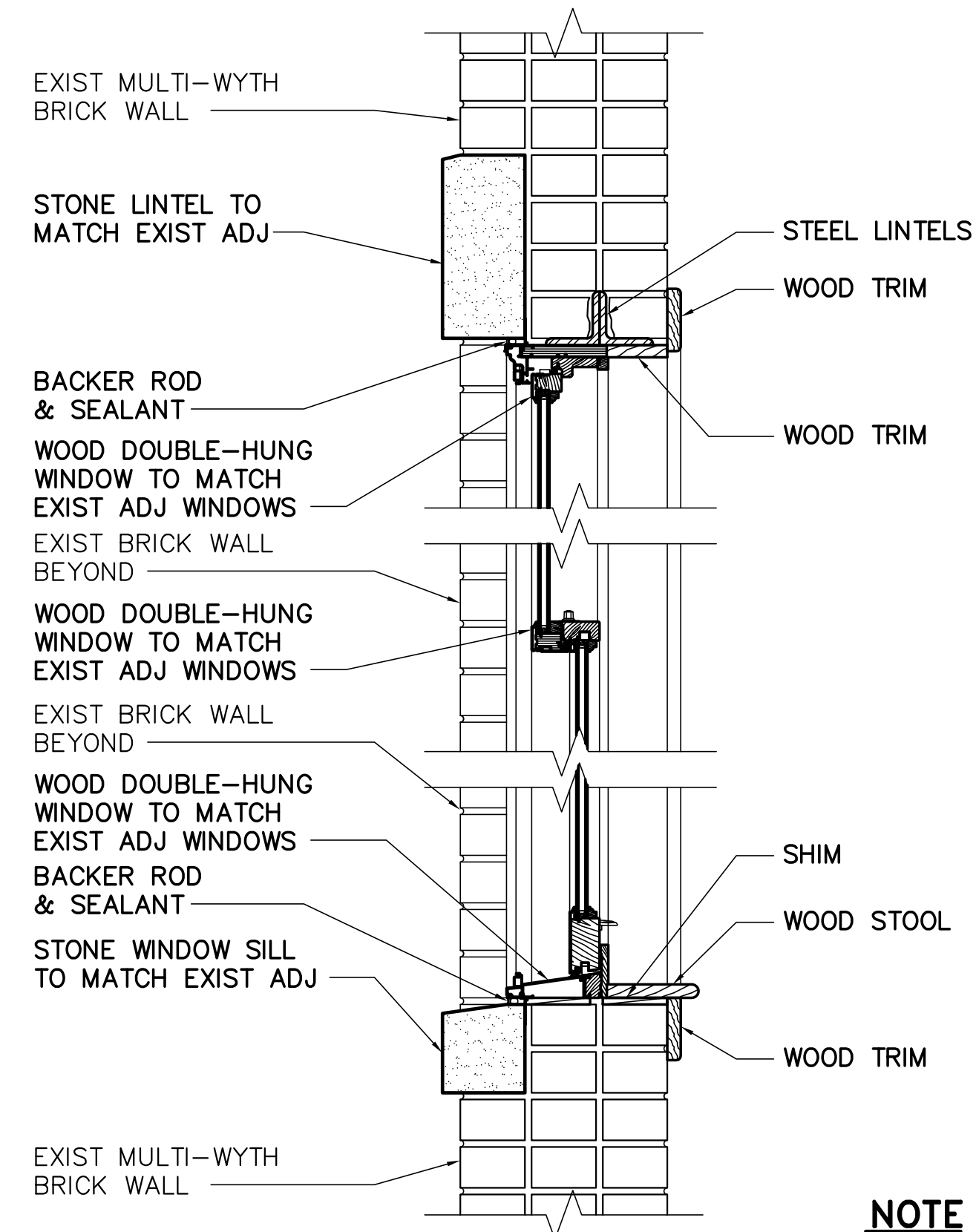


3 WALL SECTION
AE101, AE102, AE103 SCALE: 1/2"=1'-0"



4 ENTRY/STOREFRONT FRAME DETAILS
AE103 SCALE: 3"=1'-0"

NOTE
ALUMINUM STOREFRONT SYSTEM BASIS OF DESIGN: KAWNEER, ENCORE SERIES, 1-3/4"x4-1/2" ALUMINUM W/ 1" INSULATED GLAZING - COLOR: BLACK.



5 WOOD WINDOW DETAIL
AE103 SCALE: 1-1/2"=1'-0"

NOTE
WOOD WINDOW BASIS OF DESIGN: EAGLE, TALON DOUBLE-HUNG WINDOW WITH SDL AND SPACER BARS W/ 1" INSULATED GLAZING. CLADDING COLOR: BLACK

