



GLH
CRR
GLH
DESIGNED BY:
DRAWN BY:
CHECKED BY:
PROJECT:
21504.32

CARROLL BLOCK LLC
P.O. BOX 7626
PORTLAND, ME 04101

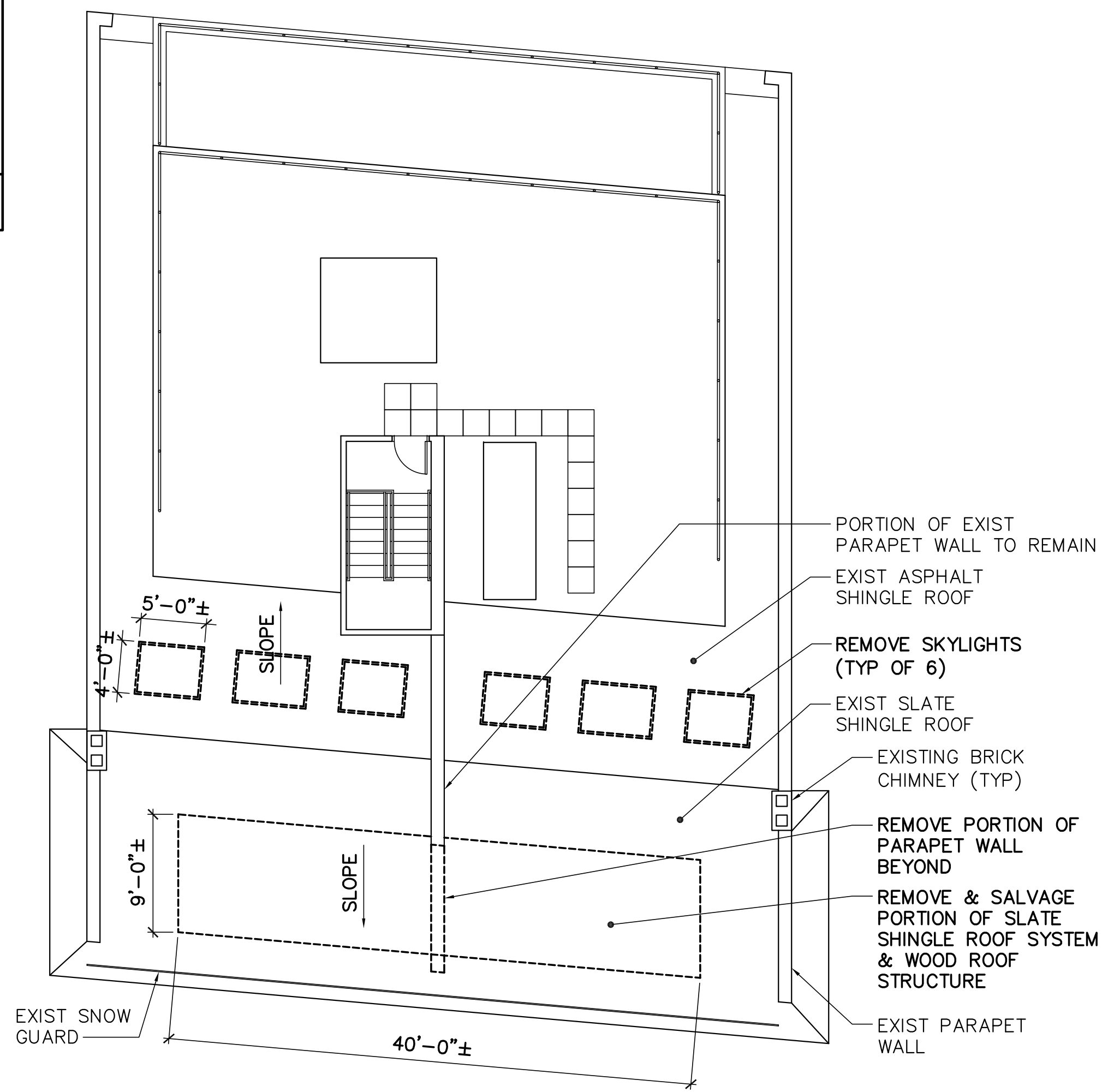
RENOVATION TO
CARROLL BLOCK
136 Commercial Street - Portland, Maine

ROOF PLANS,
ELEVATIONS
AND
DETAILS

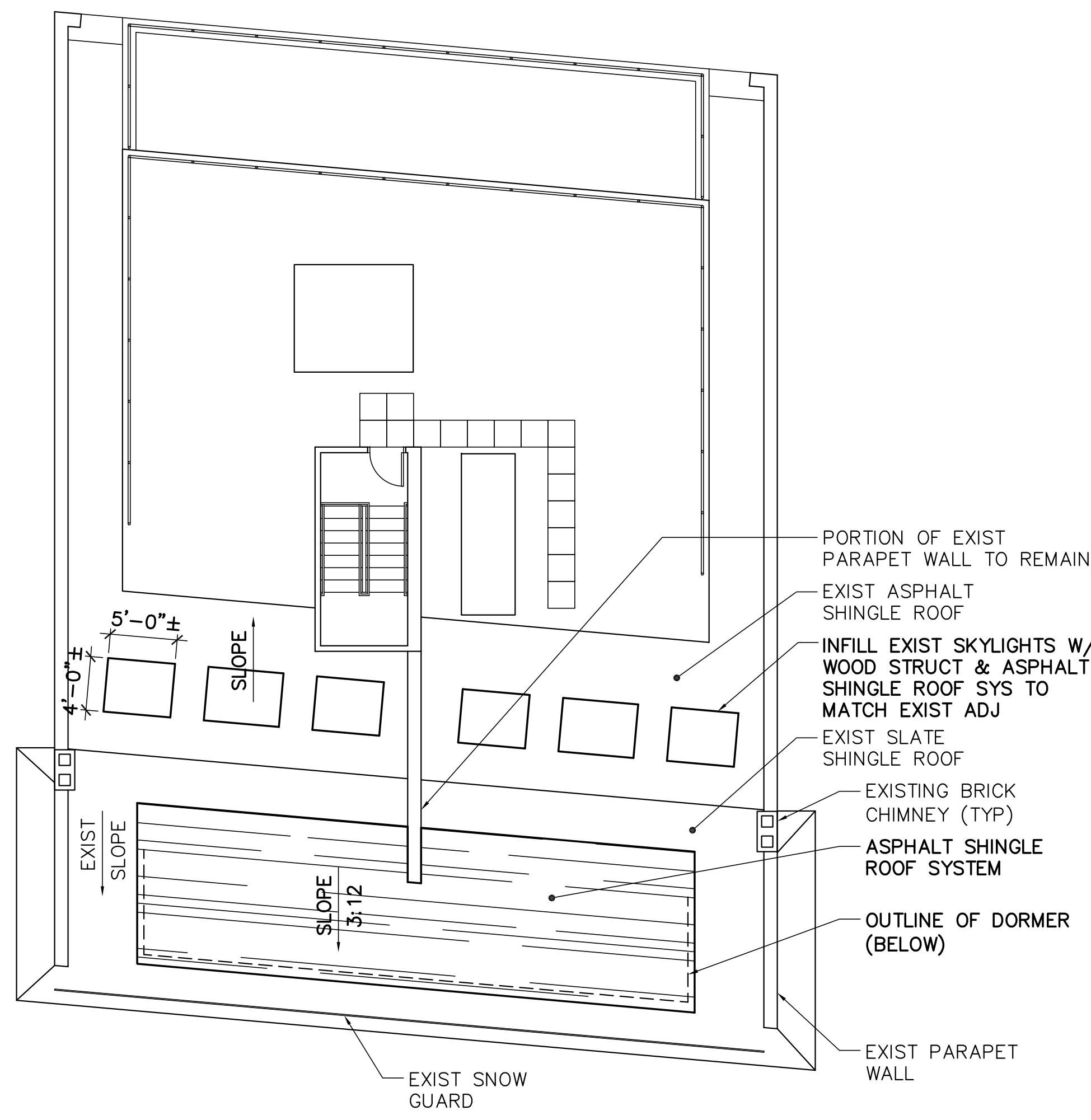
SCALE: AS NOTED
DATE: 17 MARCH 2016

DWG.: AE102

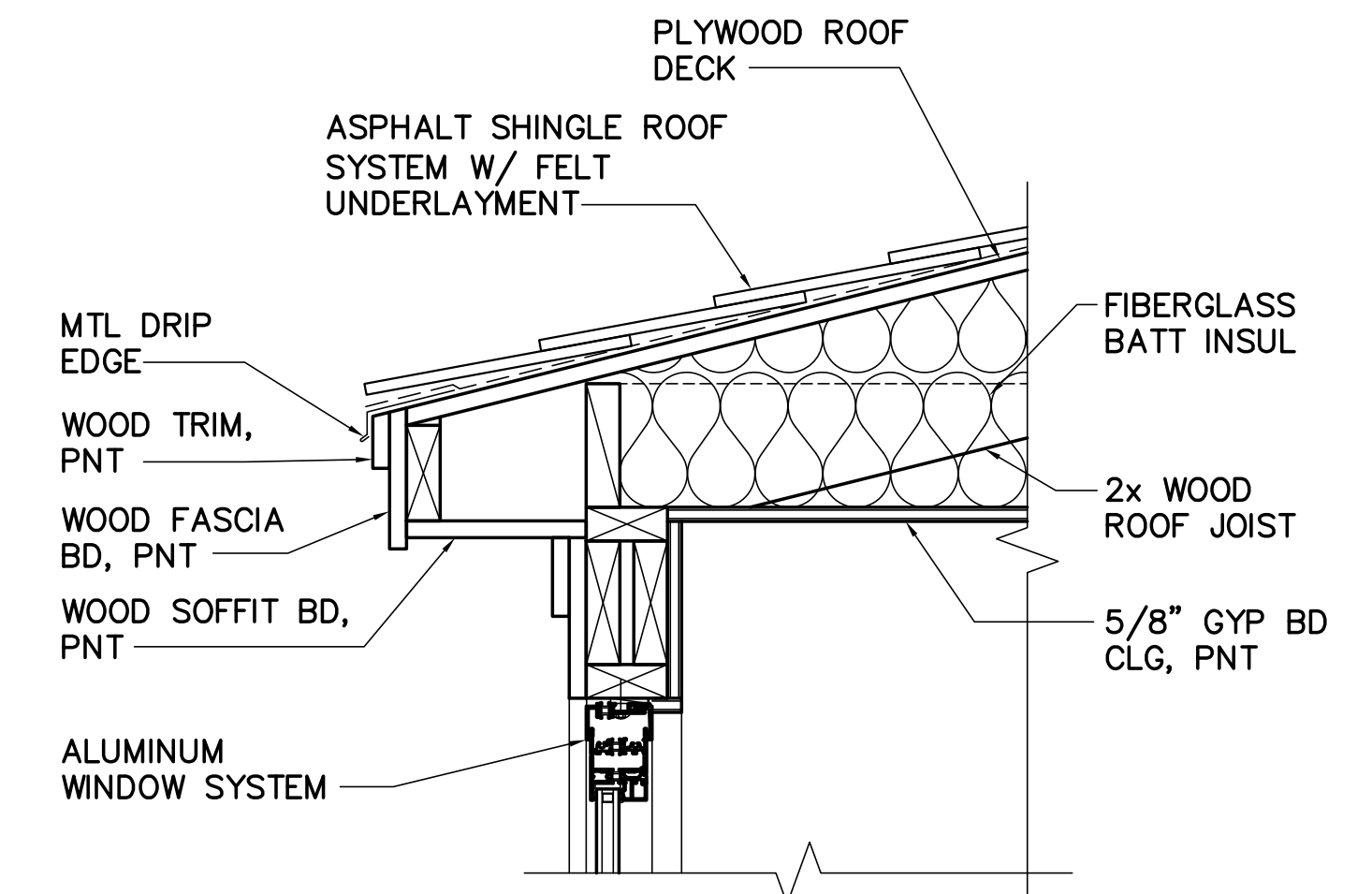
SHEET: 2 OF 2



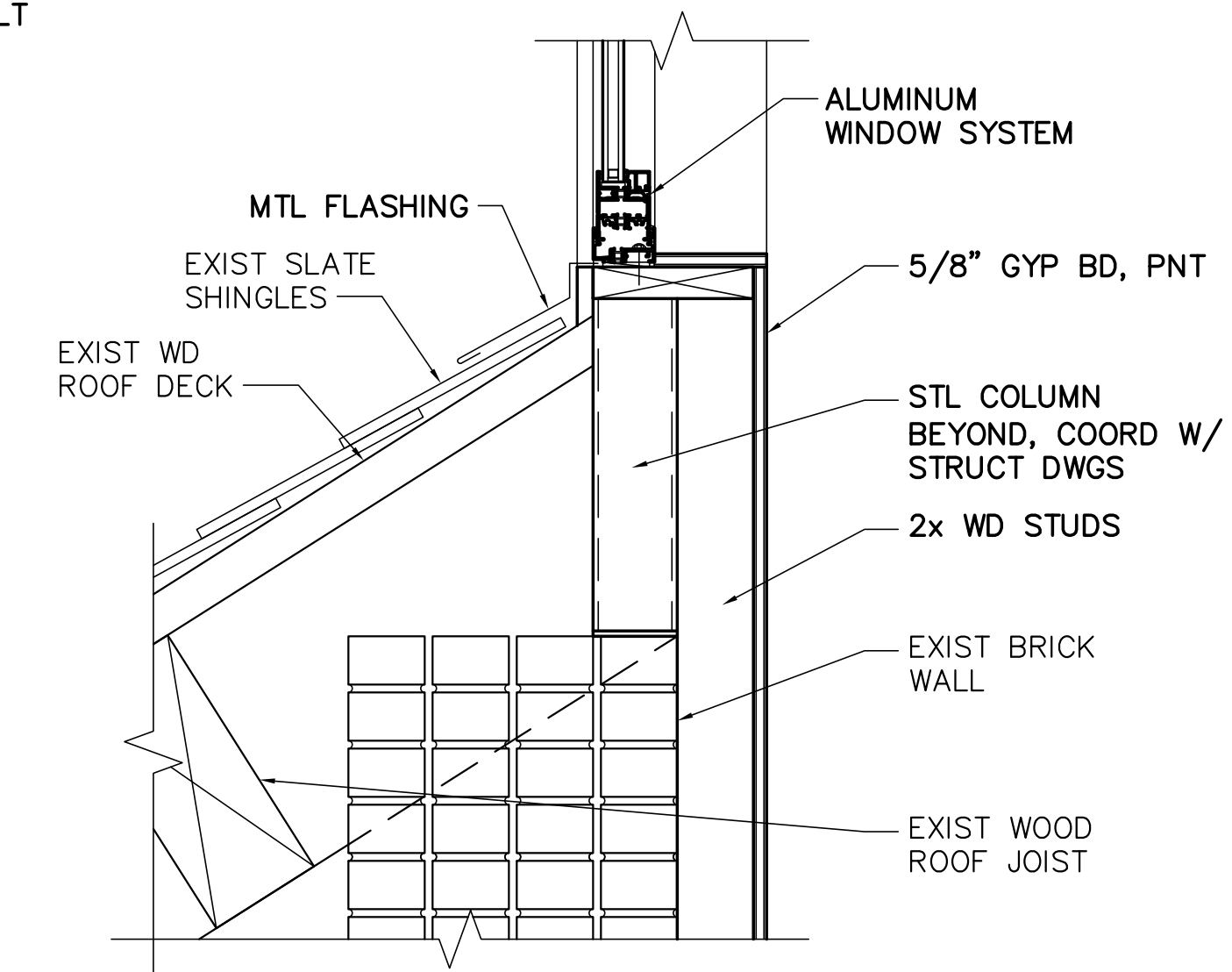
1 REMOVALS ROOF PLAN
AE102 SCALE: 1/8"=1'-0"



2 ROOF PLAN
AE102 SCALE: 1/8"=1'-0"

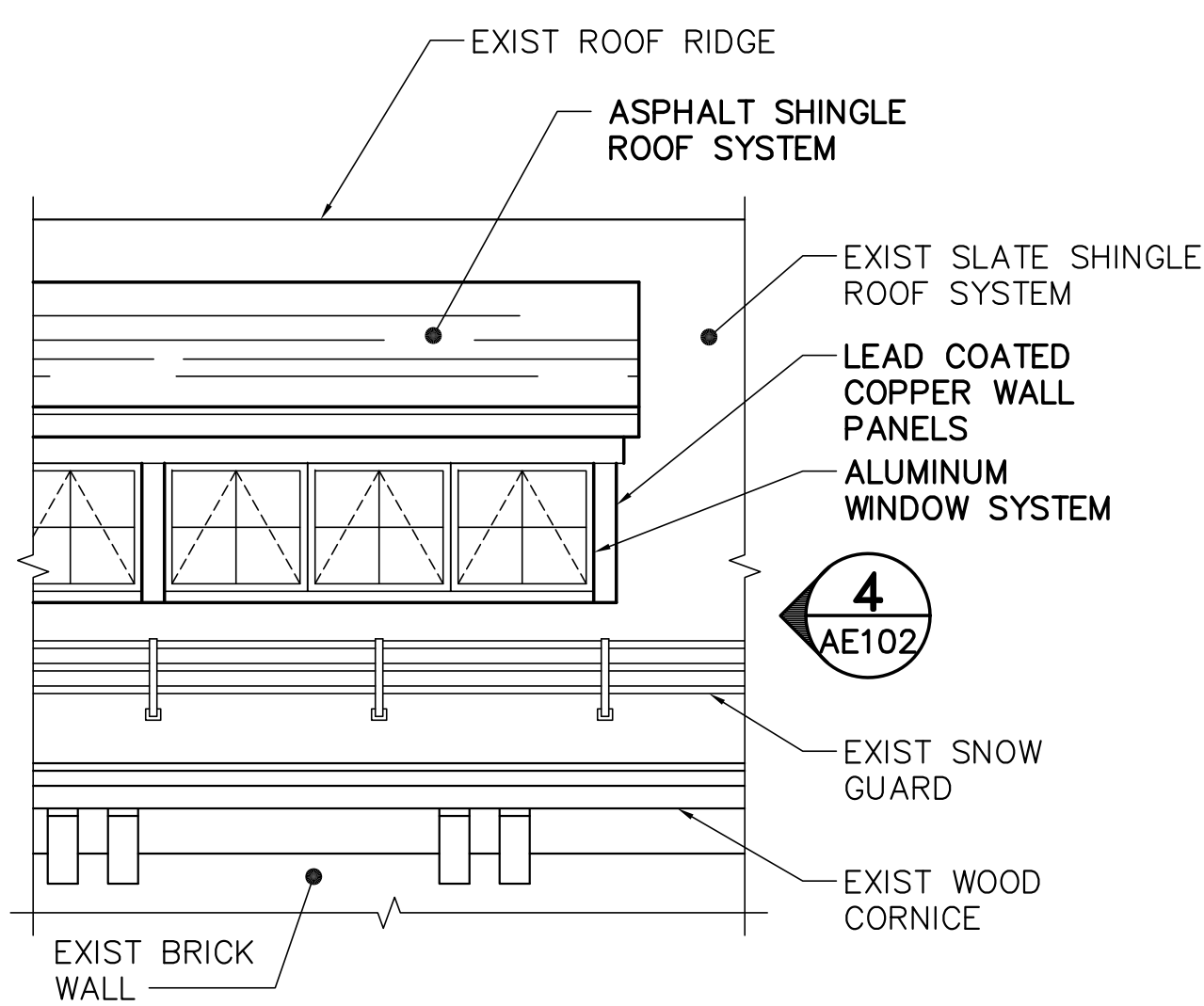


5 WINDOW HEAD DETAIL
AE102 SCALE: 1-1/2"=1'-0"

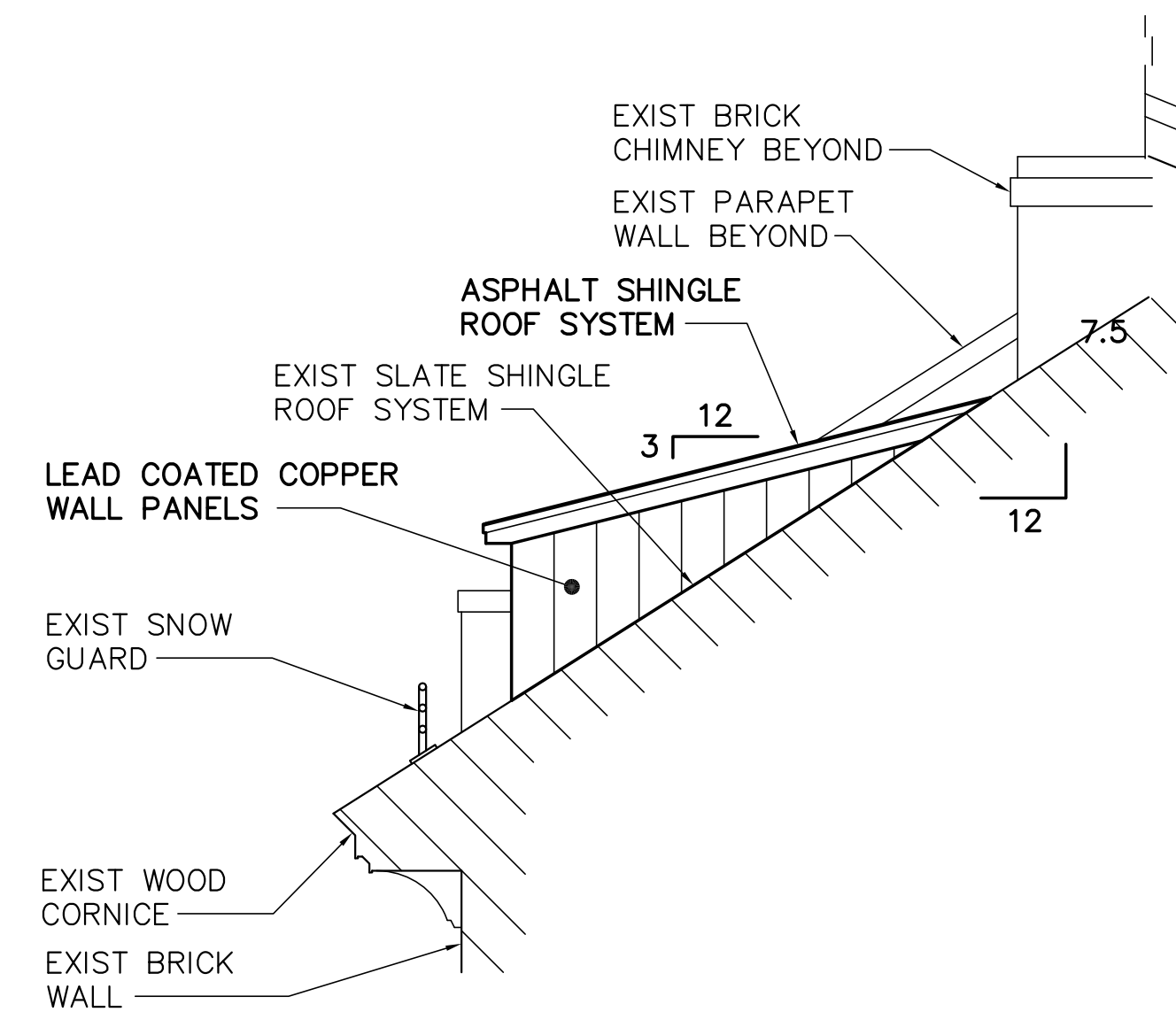


6 WINDOW SILL DETAIL
AE102 SCALE: 1-1/2"=1'-0"

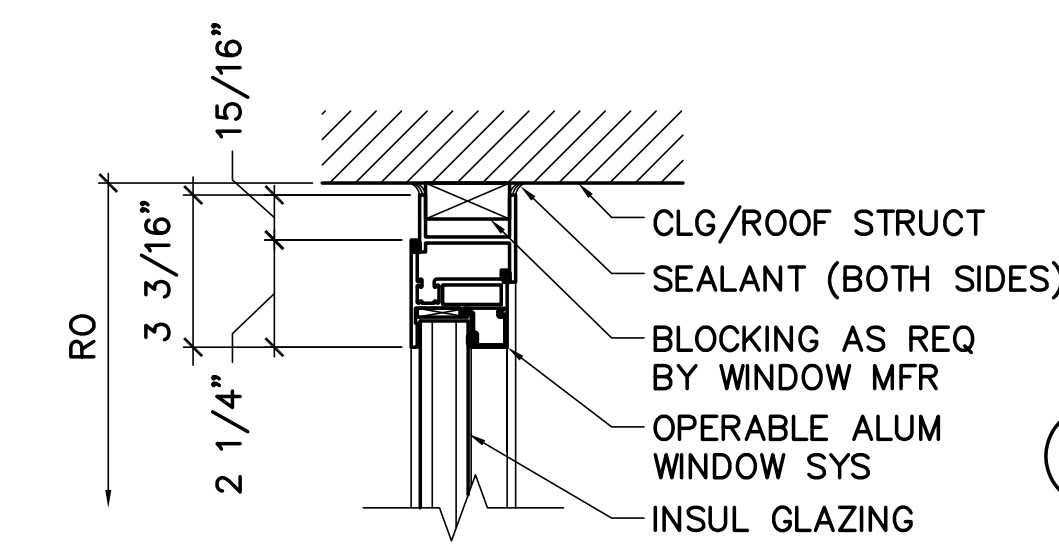
NOTE
COORDINATE FRAMING SYSTEM WITH STRUCTURAL DRAWINGS.



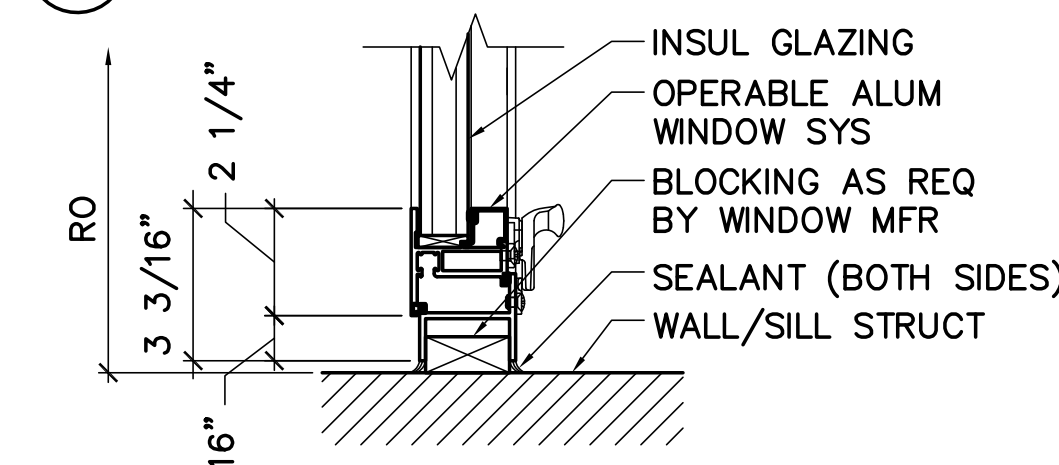
4 PARTIAL FRONT DORMER ELEVATION
AE102 SCALE: 1/4"=1'-0"



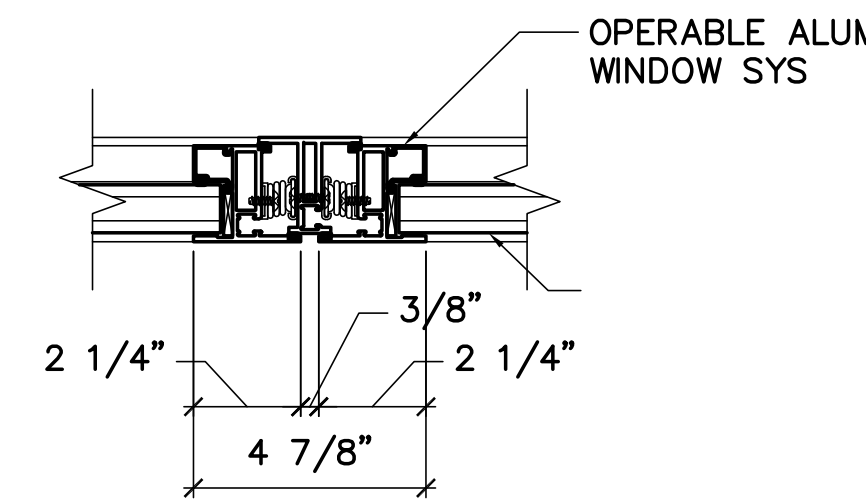
4 DORMER SIDE ELEVATION
AE102 SCALE: 1/4"=1'-0"



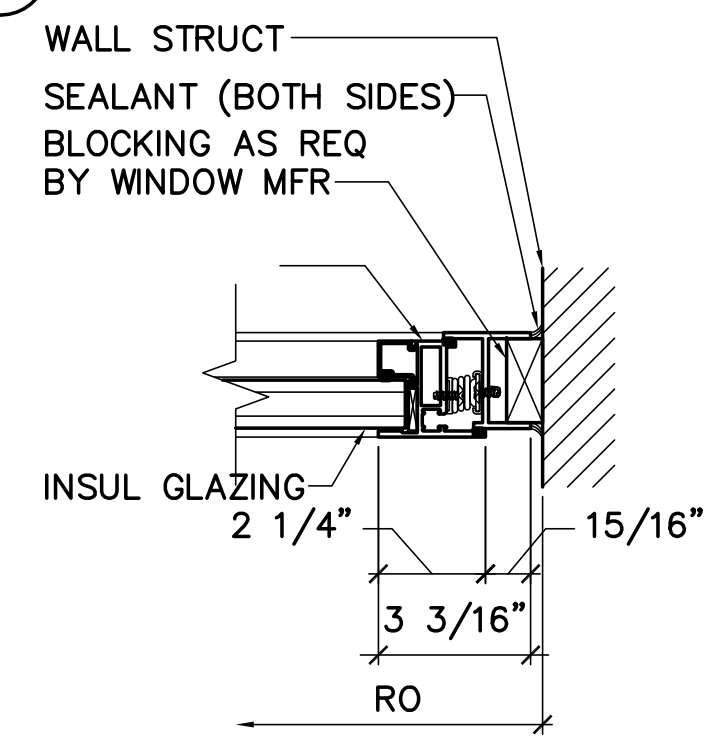
A TYP WINDOW HEAD



B TYP WINDOW SILL



C TYP WINDOW MULLION



D TYP WINDOW JAMB

7 TYPICAL DORMER WINDOW DETAILS
AE102 SCALE: 3"=1'-0"

