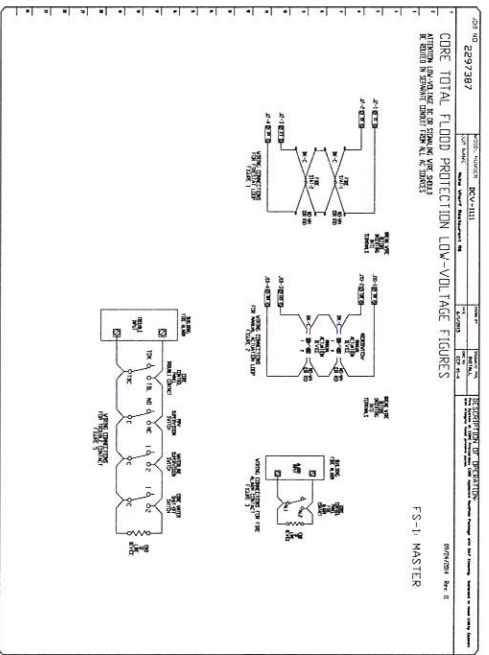
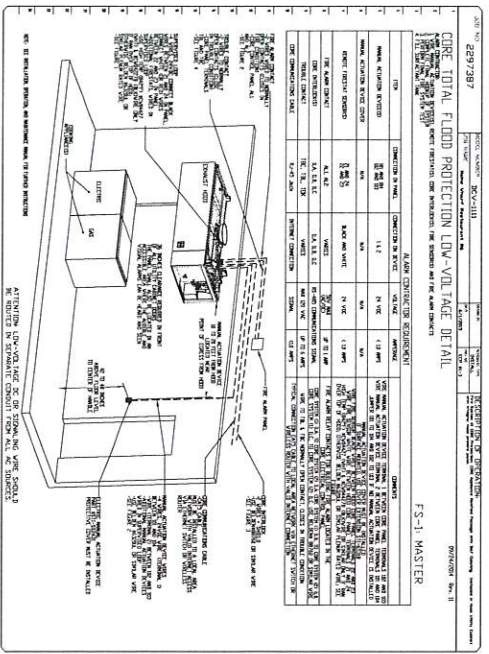
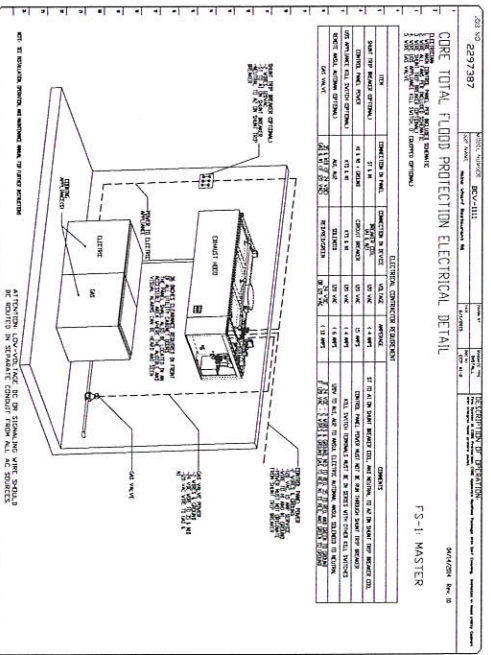
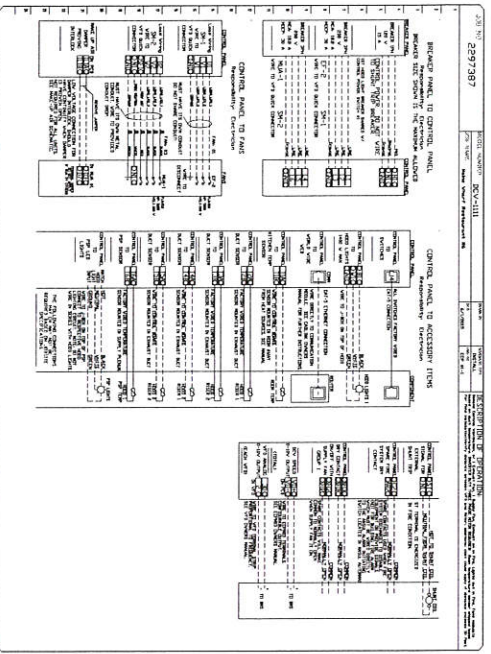


ELECTRICAL PACKAGES - 04/28/2015		SCHEDULE		DATE	
NO.	PACKAGE #	LOCATION	QUANTITY	DATE	BY
1	ECV-101	UTILITY Cabinet Left 1	1 CABINET	3/20/15	MS
2	ECV-102	UTILITY Cabinet Right	1 CABINET	3/20/15	MS
3	ECV-103	UTILITY Cabinet Top	1 CABINET	3/20/15	MS
4	ECV-104	UTILITY Cabinet Sign	1 SIGN	3/20/15	MS



DATE: 6/17/2015
 DWG: MS
 DRAWN BY: BFC-21
 SCALE: 3/4" = 1'-0"
 MASTER DRAWING

CAPTIVE

MAINE OFFICE

www.captive.com

PO Box 86, 179 South Rd., Topsham, ME, 04990 PHONE: (207) 796-2590 FAX: (919) 227-5946 EMAIL: rsgt@captive.com

SHEET NO.
12

REVISIONS