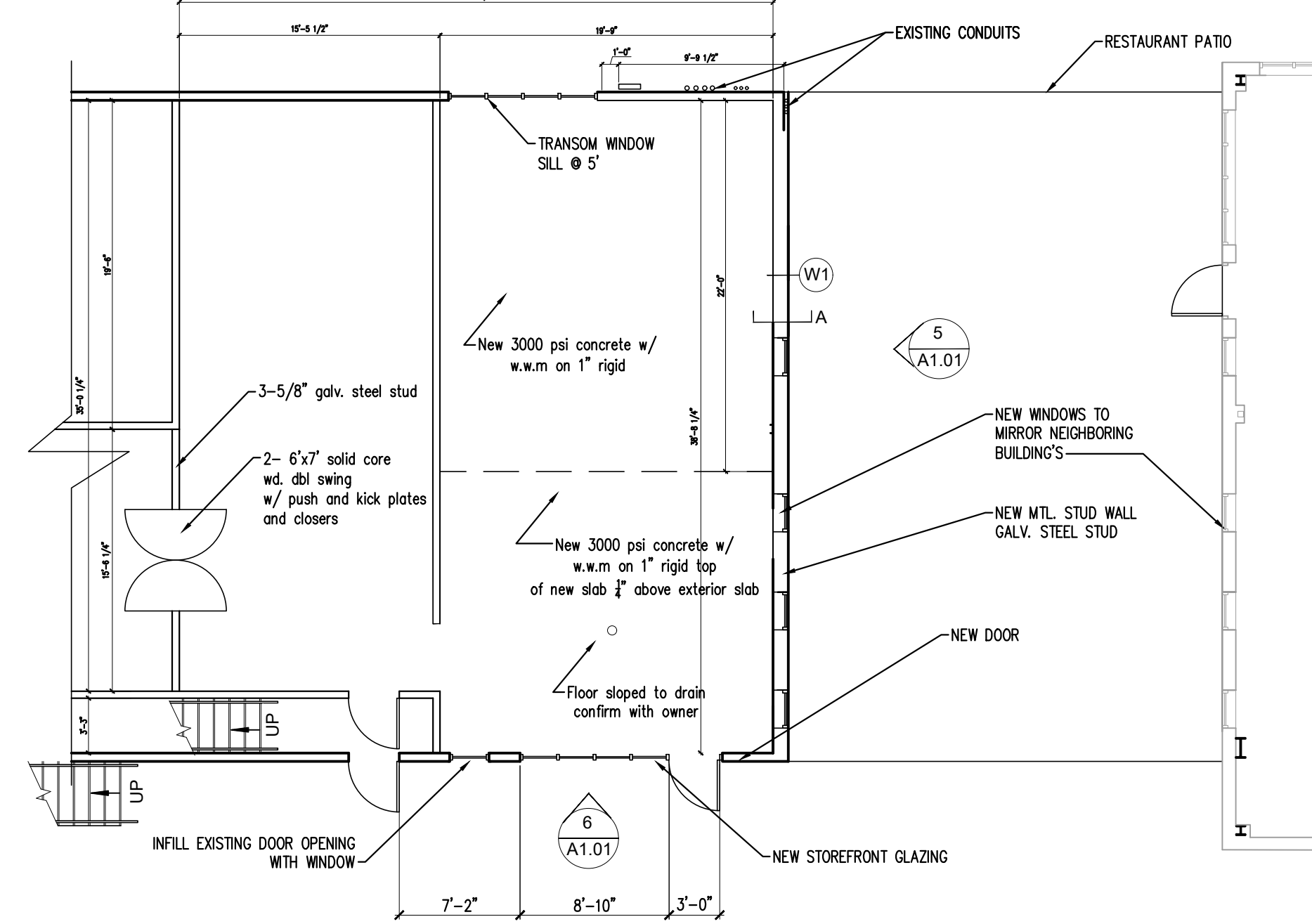
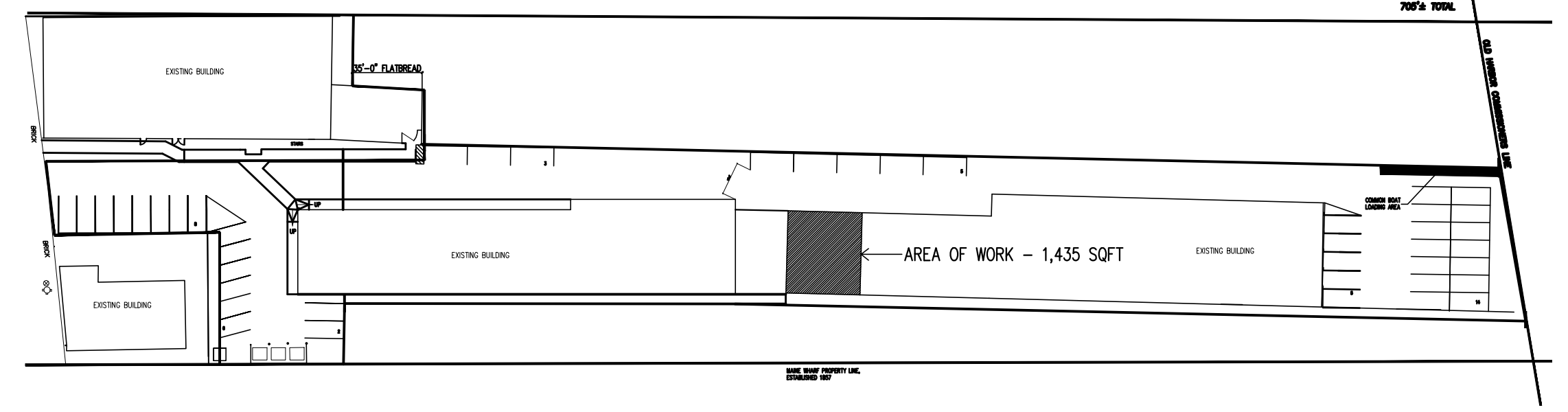


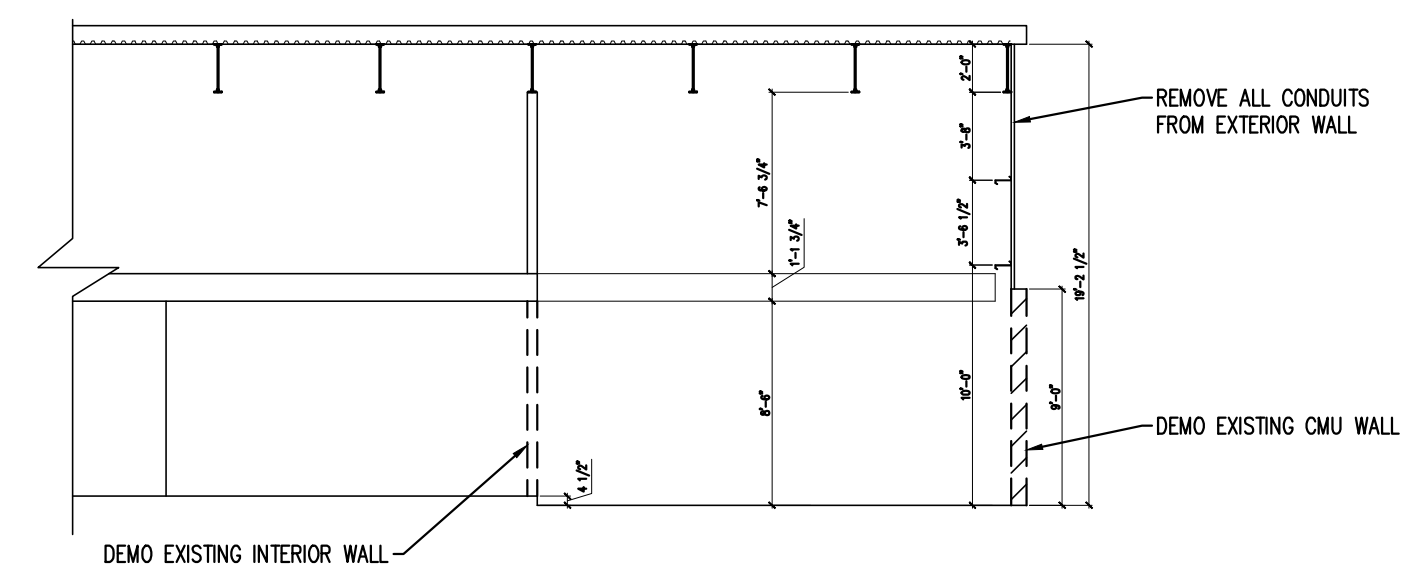
1 DEMO PLAN  
SCALE: 1/8"=1'-0"



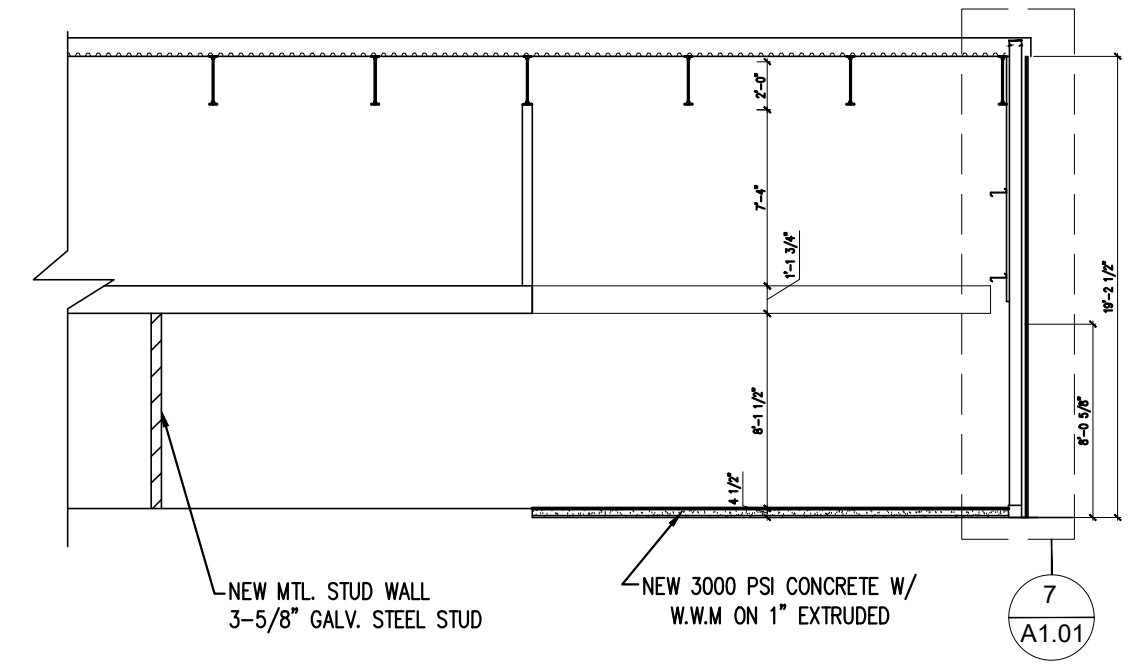
2 NEW WORK FLOOR PLAN  
SCALE: 1/8"=1'-0"



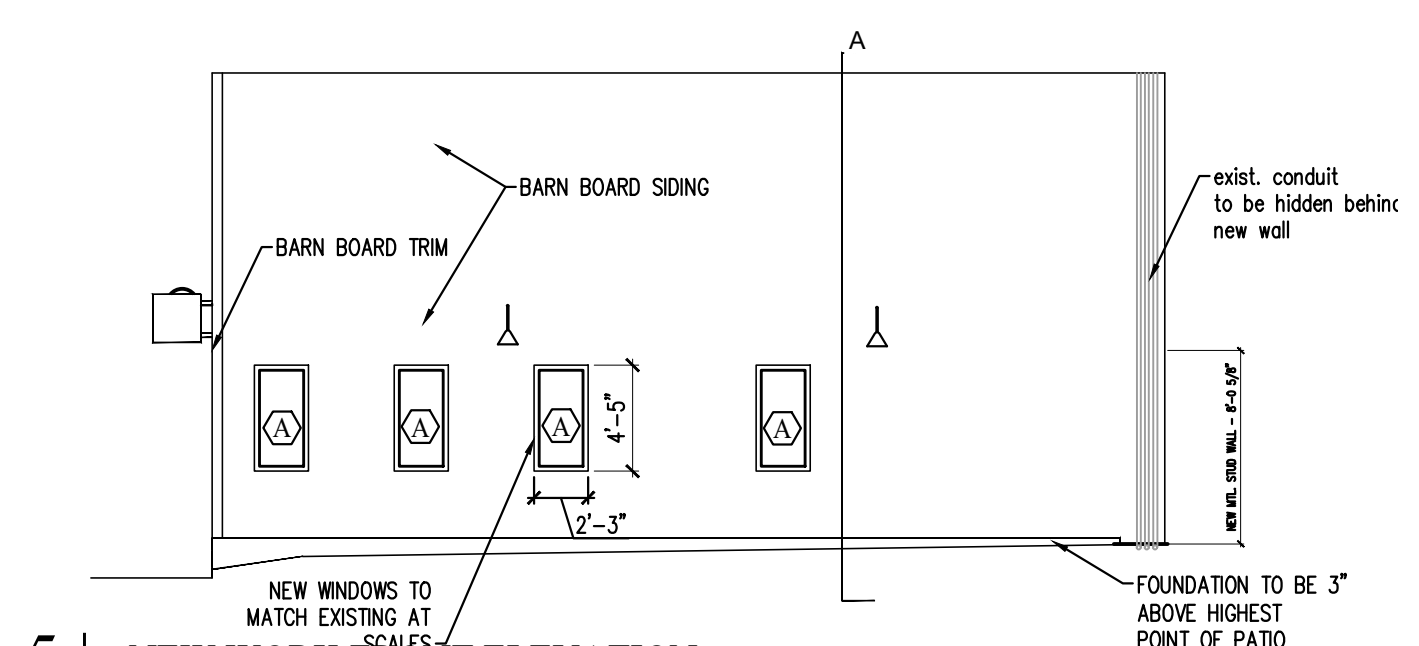
KEY PLAN - AREA OF WORK  
SCALE: N/A



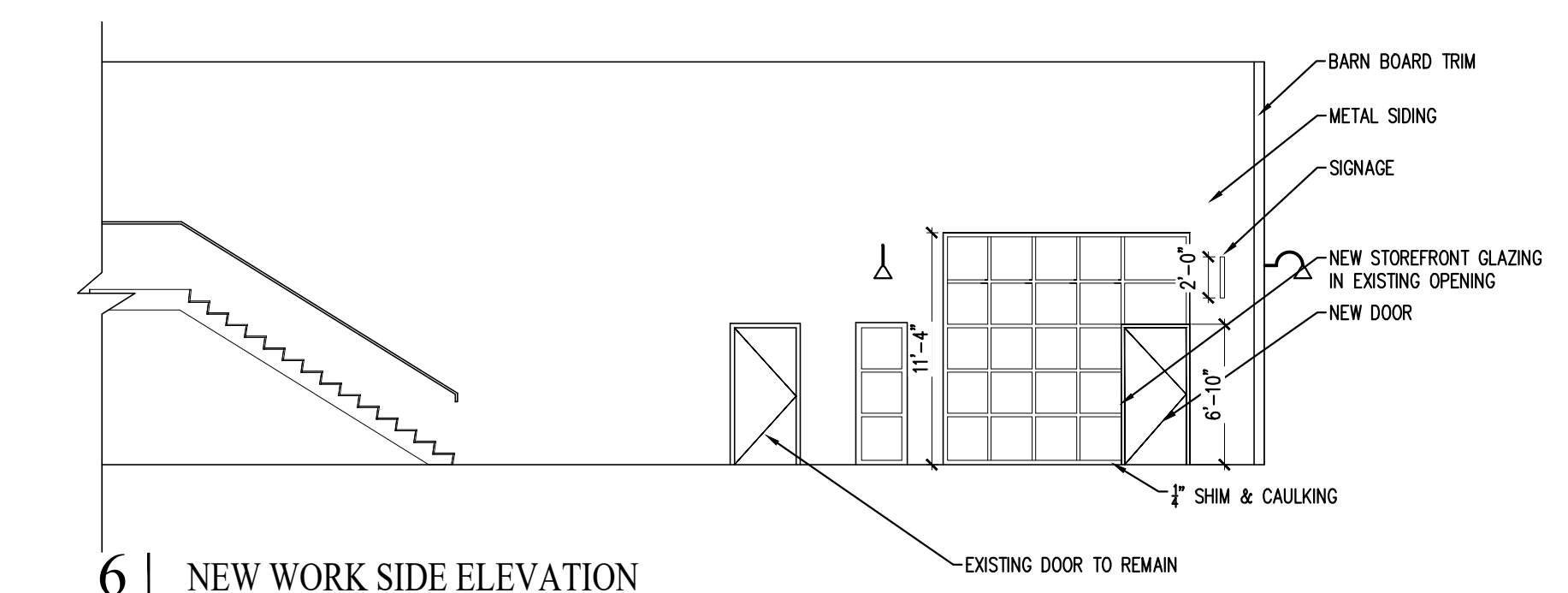
3 DEMO SECTION  
SCALE: 1/8"=1'-0"



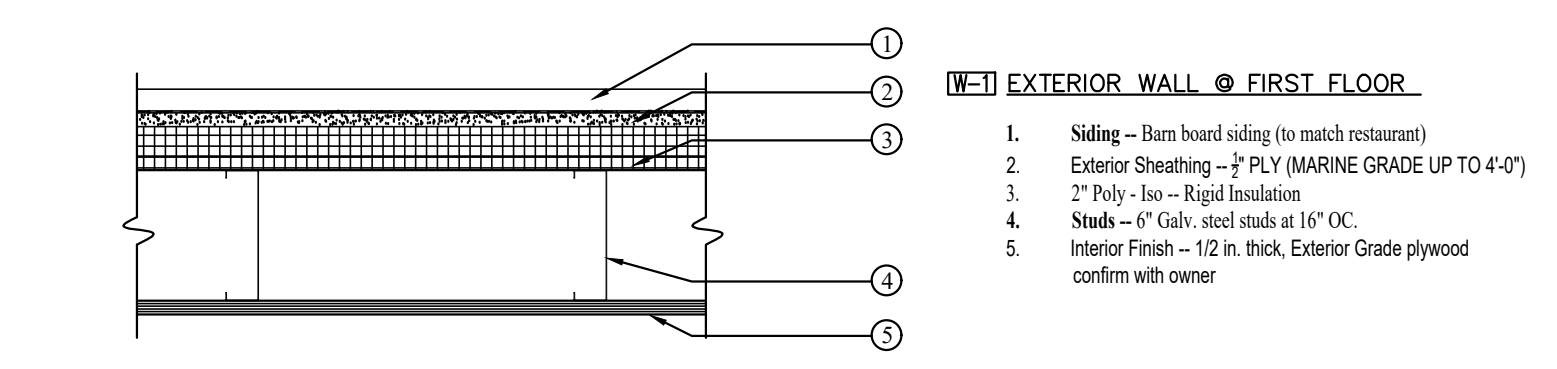
4 NEW WORK SECTION  
SCALE: 1/8"=1'-0"



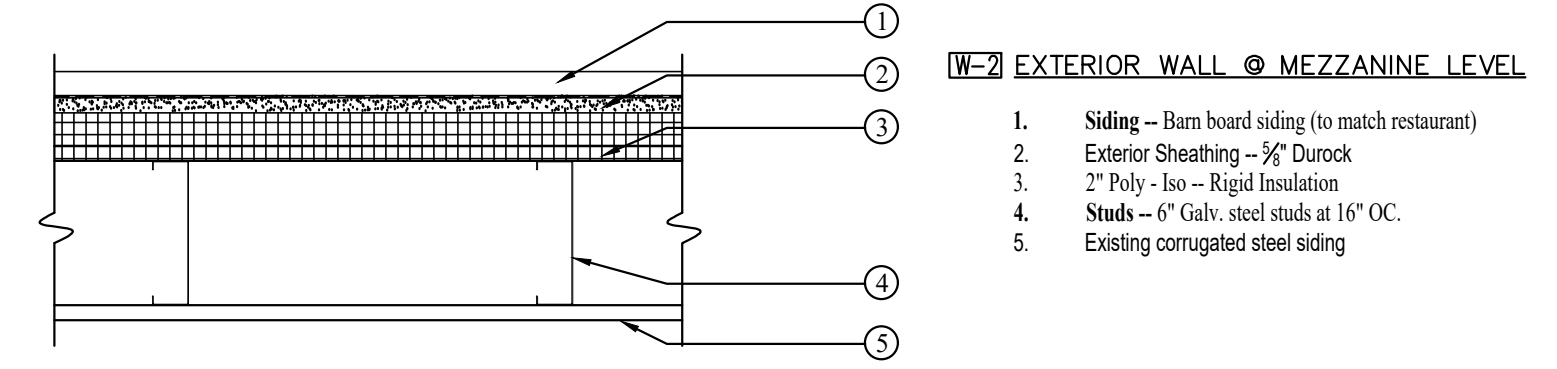
5 NEW WORK FRONT ELEVATION  
SCALE: 1/8"=1'-0"



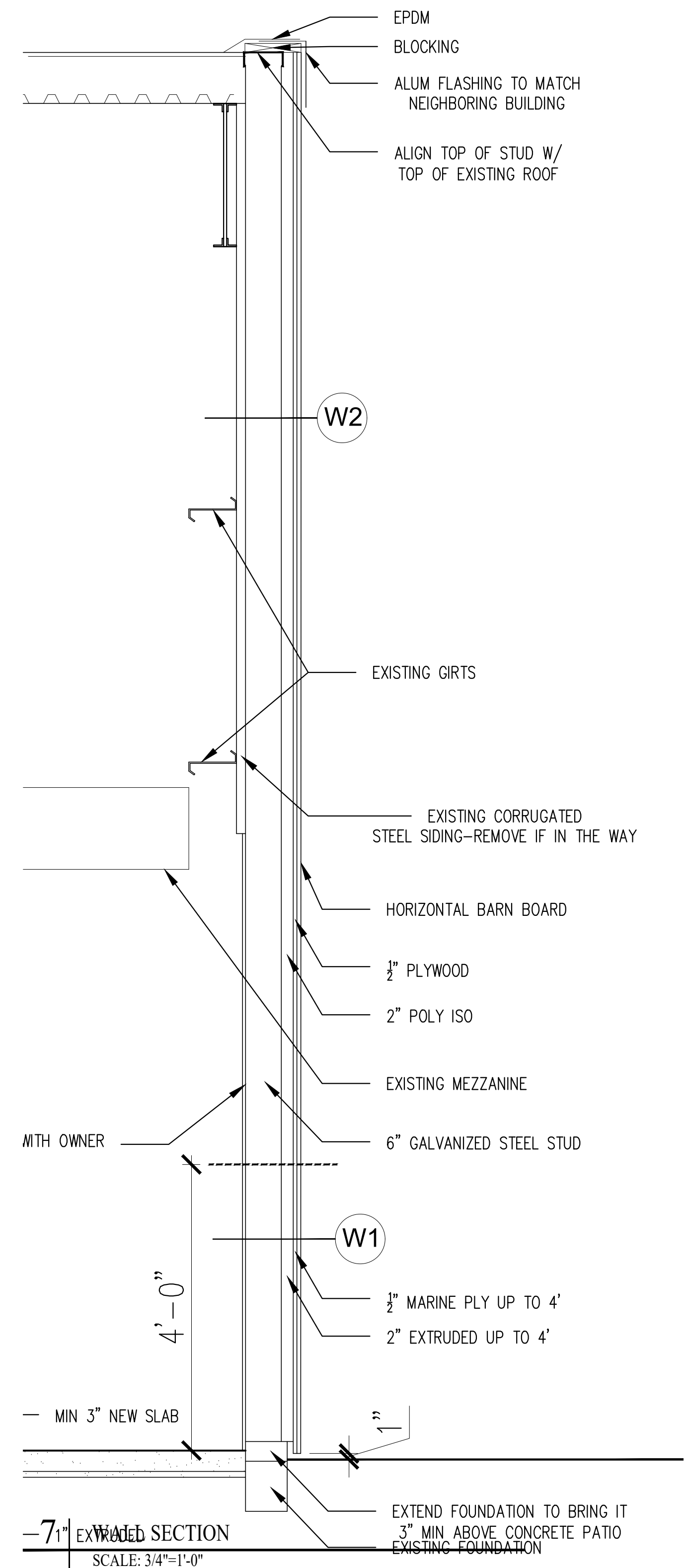
6 NEW WORK SIDE ELEVATION  
SCALE: 1/8"=1'-0"



7 WALL TYPE W1  
SCALE: 1-1/2"=1'-0"



7 WALL TYPE W2  
SCALE: 1-1/2"=1'-0"



7-1 WALL SECTION  
SCALE: 3/4"=1'-0"

Prepared For:

Consulting Engineer:

Architect: **ARCHETYPE architects**  
48 Union Wharf Portland, Maine 04101  
(207) 772-6022 Fax: (207) 772-4056

Project: **MAINE WHARF RETAIL SPACE**

Revisions: **APRIL 22, 2016**

Scale: **as noted**

Date: **APRIL 13, 2016**

**DEMO/NEW WORK PLAN, SECTION AND ELEVATION**

**A1.00**